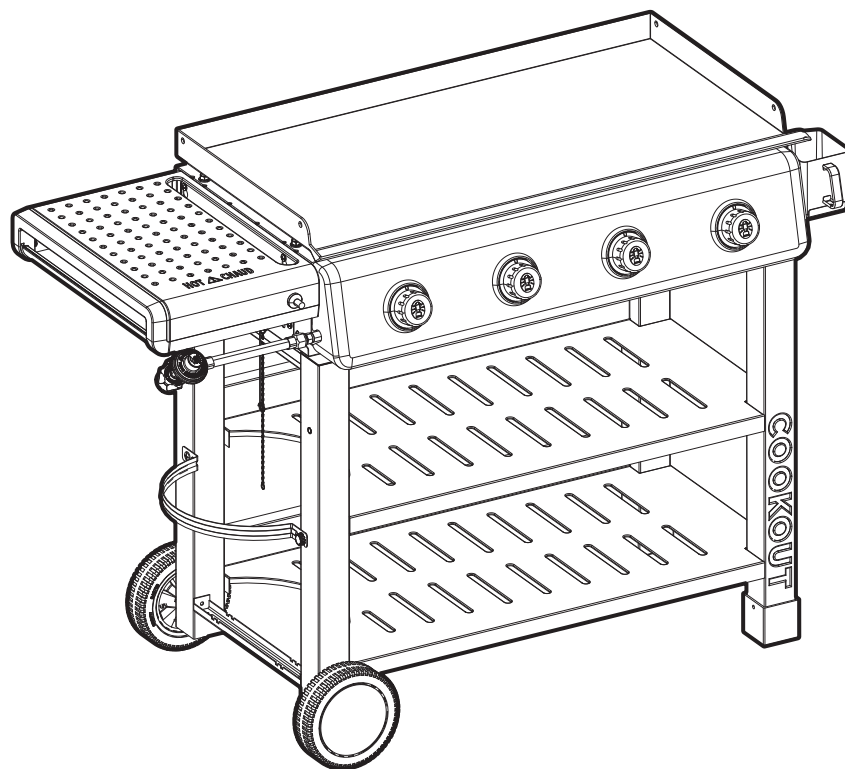




COOKOUT™ 36" GRIDDLE STATION



ASSEMBLY MANUAL

085-3180-0 (G65301) Propane Griddle

LIMITED 2-YEAR WARRANTY

Read and save manual for future reference.

Assemble your griddle station immediately. Missing or damaged parts should be claimed within 30 days of purchase.

For product inquiries, parts, warranty and troubleshooting support, please call 1-800-275-4617.



HEAVY ARTICLE NEEDS 2 TO LIFT

THIS MANUAL MUST REMAIN WITH THE PRODUCT AT ALL TIMES

To ORDER non-warranty replacement parts or accessories,
or to register your warranty, please visit us on the web at
www.colemanbbqs.com

⚠ CAUTION

Sharp edges. Wear gloves when assembling your griddle station.

⚠ CAUTION

Read and follow all safety statements, assembly instructions, use and care directions before attempting to assemble and cook.

⚠ INSTALLER OR ASSEMBLER/ CONSUMER

This manual should be kept with the griddle station at all times.

⚠ WARNING

Failure to follow all of the manufacturer's instructions could result in hazardous fires, explosions, property damage, or serious personal injury or even death.

Follow all leak check procedures carefully prior to operation of this griddle station, even if dealer assembled. Do not try to light this griddle station without reading the Lighting Instructions section of this manual.

⚠ DANGER

1. If you smell gas:
 - a. Shut off gas to the appliance.
 - b. Extinguish any open flame.
 - c. If odour continues, keep away from the appliance and immediately call your gas supplier or your fire department.
 2. Requires two people to complete the assembly process.
 3. Beware of sharp edges.
-

⚠ WARNING

1. Do not store or use gasoline or other flammable liquids or vapours in the vicinity of this or any other appliance.
 2. An LP cylinder not connected for use shall not be stored in the vicinity of this or any other appliance.
-

⚠ WARNING

IN DIRECT SUN, AND IN OPERATION, YOUR GRIDDLE STATION'S STAINLESS STEEL AND PAINTED STEEL PARTS CAN BECOME VERY HOT.

THIS GRIDDLE STATION IS FOR OUTDOOR USE ONLY
FOR MISSING PARTS OR DAMAGES CALL
1-800-275-4617

HARDWARE PACK

TOOLS NEEDED FOR ASSEMBLY

- #2 Phillips screwdriver (long and short)
- 1/4" Slotted screwdriver (long and short)
- Adjustable wrench
- Pliers

No.	Description	Part Number	Qty.
1	1/4"-20UNCx13 Screw	20120-13013-250	40
2	NO.10-24UNC x10 Screw	20124-10010-250	2
3	Screw, Gas Tank Support	G466-0007-9000	1
4	Wheel Spacer	G305-0024-9088	2
5	Wheel Washer	40300-08000-036	1
6	Hitch Pin	G306-0005-9088	1
7	1/4"×18 Screw Assembly	G452-G300-9000	2
8	Handle Washer	G310-0019-9000	2
9	ST4.2X8 Tapping Screw	24200-42008-136	2

⚠ Caution:
Sheet metal can cause injury. Wear gloves when installing the griddle.

1



1/4"-20UNCx13 Screw
X 40

2



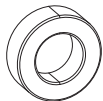
NO.10-24UNC x10 Screw
X 2

3



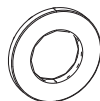
Screw, Gas Tank Support
X 1

4



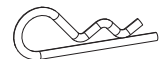
Wheel Spacer
X 2

5



Wheel Washer
X 1

6



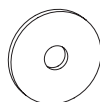
Hitch Pin
X 1

7



1/4"×18 Screw Assembly
X 2

8



Handle Washer
X 2

9



ST4.2X8 Tapping Screw
X 2

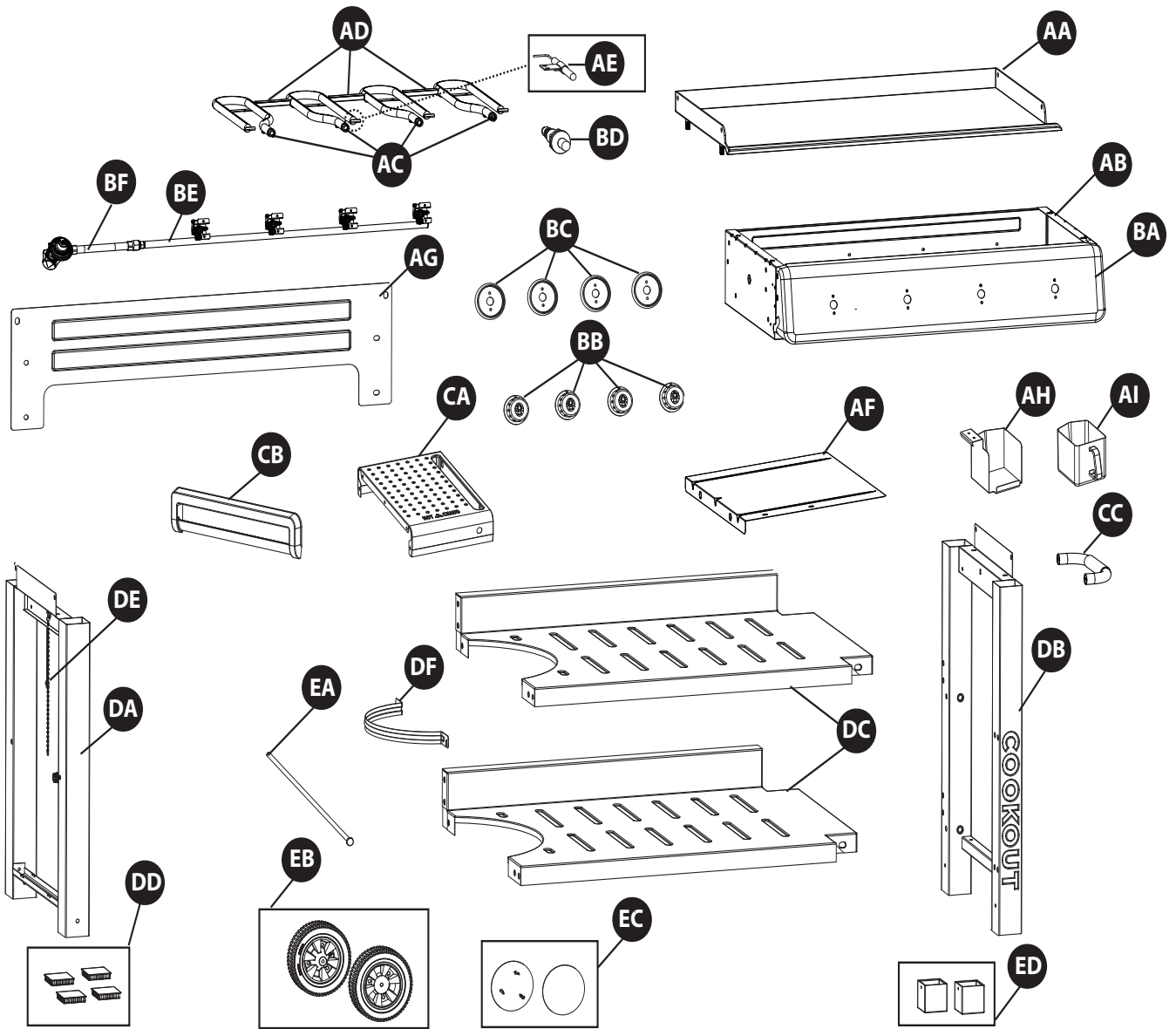
BEFORE ASSEMBLING THIS GRIDDLE STATION, READ THE INSTRUCTIONS CAREFULLY.

Assemble the griddle station on a flat, clean surface. This griddle station is heavy. Two people are recommended to complete assembly.

PARTS LIST FOR 085-3180-0 (G65301)

Item No.	Qty.	Description	Part No.
AA	1	Griddle Top	G653-0100-01
AB	1	Burner Box Assembly	G653-0300-01
AC	4	Main Burner	G653-0700-01
AD	3	Carryover Assembly	G653-0001-01
AE	1	Electrode Set, Main Burner	G653-0002-01
AF	1	Heat Shield - Tank	G552-1600-01
AG	1	Upper Back Panel	G653-1401-01
AH	1	Grease Catcher Support	G653-0004-01
AI	1	Grease Catcher	G653-1200-01
BA	1	Control Panel	G653-0202-01
BB	4	Control Knob	G451-0099-01
BC	4	Knob Bezel	G451-000A-01
BD	1	Ignitor	G451-000D-01
BE	1	Manifold Assembly	G653-1000-01
BF	1	Regulator	G402-0069-01
CA	1	Side Shelf, Left	G653-0500-01
CB	1	Towel Holder	G451-X601-01
CC	1	Handle, Right	G653-0003-01
DA	1	Cart Side, Left	G451-2F00-01
DB	1	Cart Side, Right	G451-2G00-01
DC	2	Shelves	G653-1500-01
DD	4	Cart Leg Cap	G451-X701-01
DE	1	Match Holder	G401-0079-01
DF	1	Gas Tank Support	G451-X702-01
EA	1	Wheel Axle	G451-000G-01
EB	2	Wheel	G319-0014-01
EC	2	Wheel Cap	G451-000F-01
ED	2	Feet	G451-000E-01
F1	1	Hardware Pack	G653-B001-01
F2	1	Assembly Manual	G653-M001-01
F3	1	Safe Use and Care Manual	G653-M001-02
F4	1	BONUS Griddle Top Cover	G653-0005-01

EXPLODED DIAGRAM FOR 085-3180-0 (G65301)






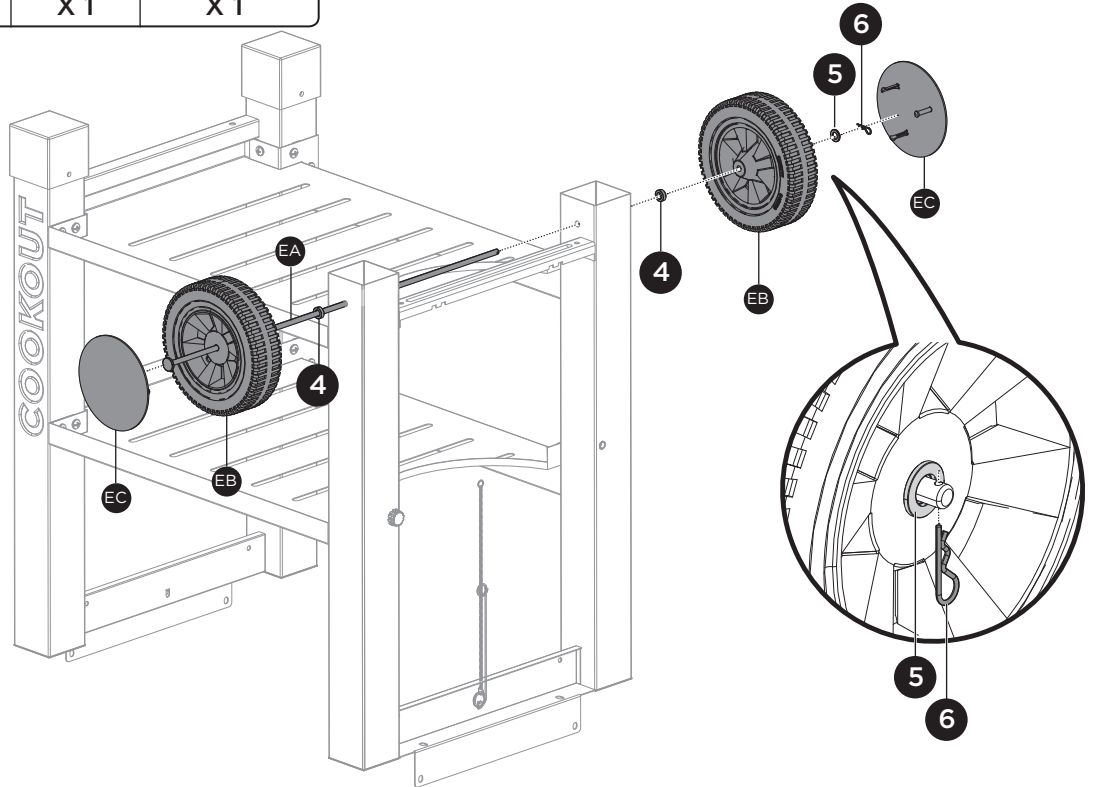
Extras

Hardware Pack F1	Assembly Manual F2	Safe Use & Care Manual F3	Griddle Top Cover F4
----------------------------	------------------------------	-------------------------------------	--------------------------------


ASSEMBLY INSTRUCTIONS

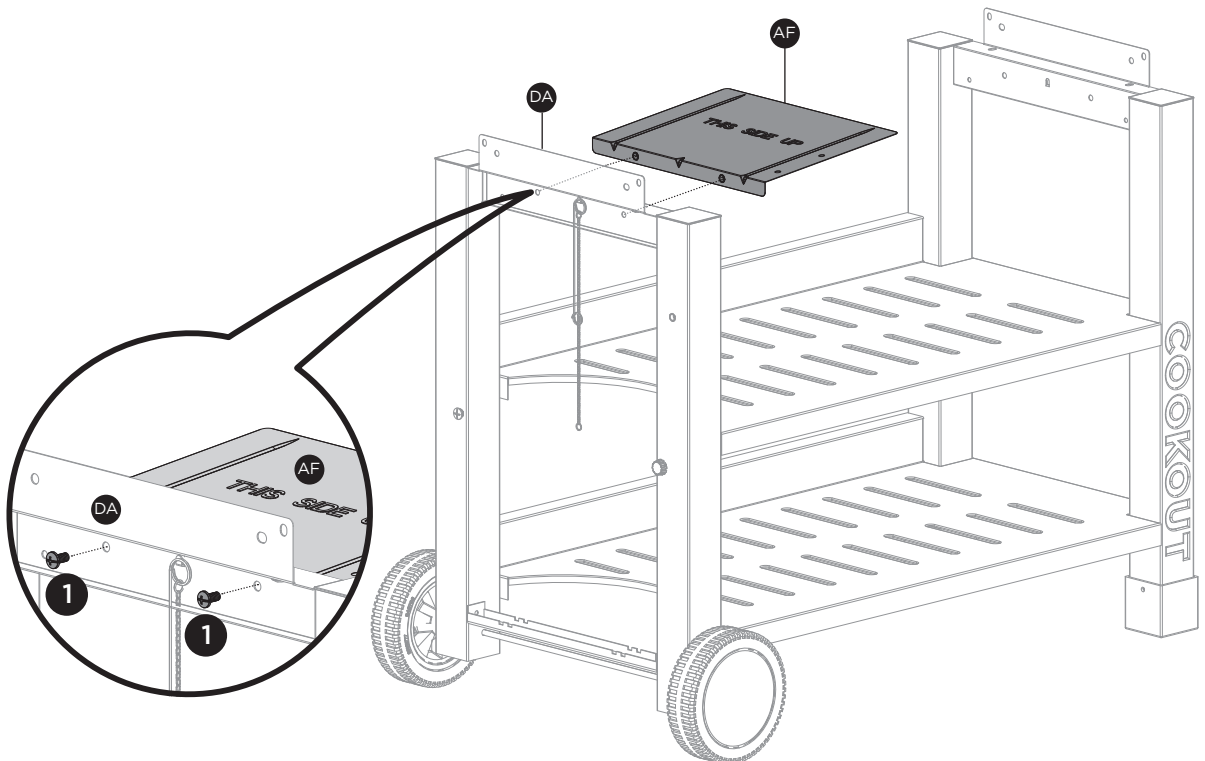
3

4	5	6
		
X 2	X 1	X 1



4

1

X 2



ASSEMBLY INSTRUCTIONS

5

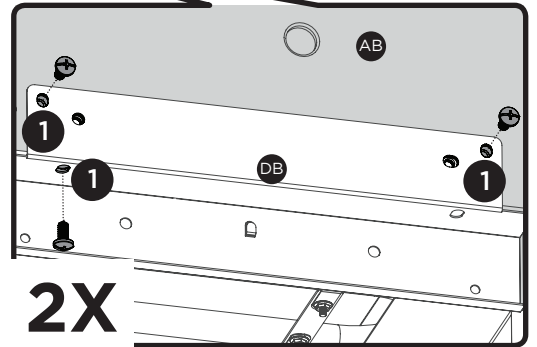
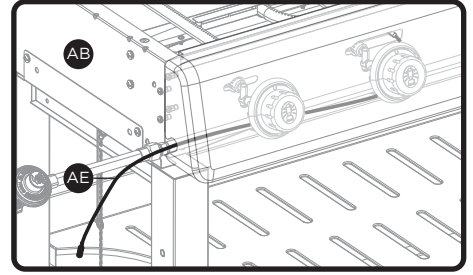
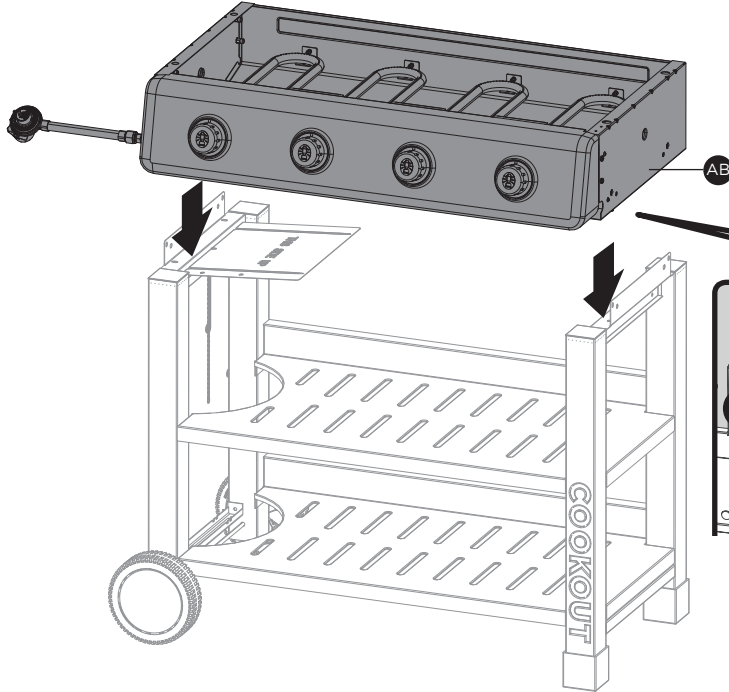


NOTE: Feed the electrode set (AE) attached to the main burner, through the hole on the left side of the burner box (AB).

1



X 6



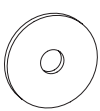
6

7

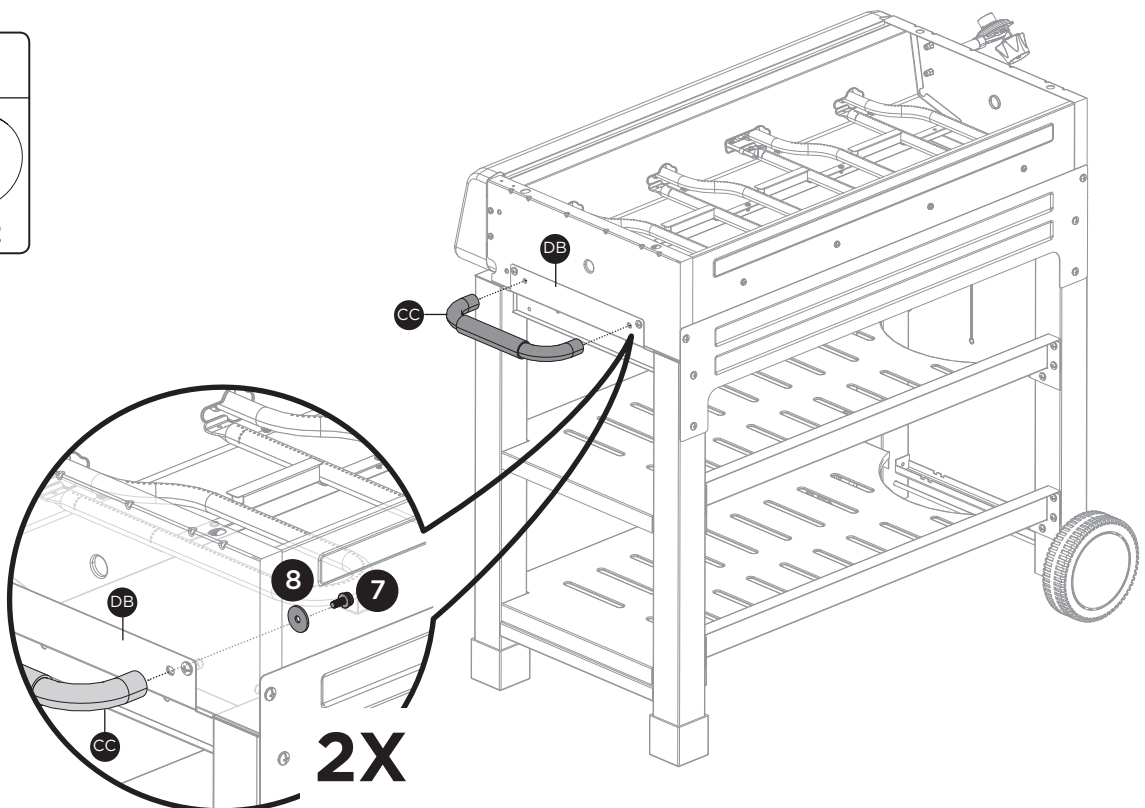


X 2

8



X 2



ASSEMBLY INSTRUCTIONS

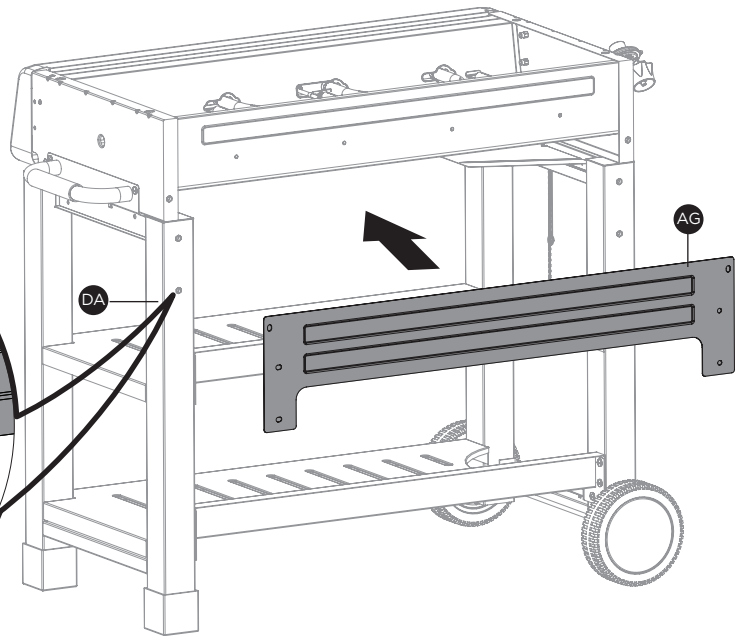
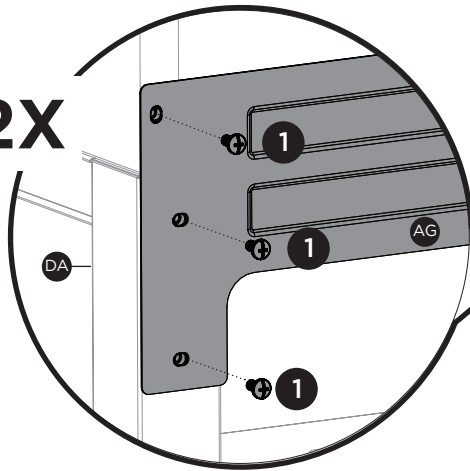
7

1

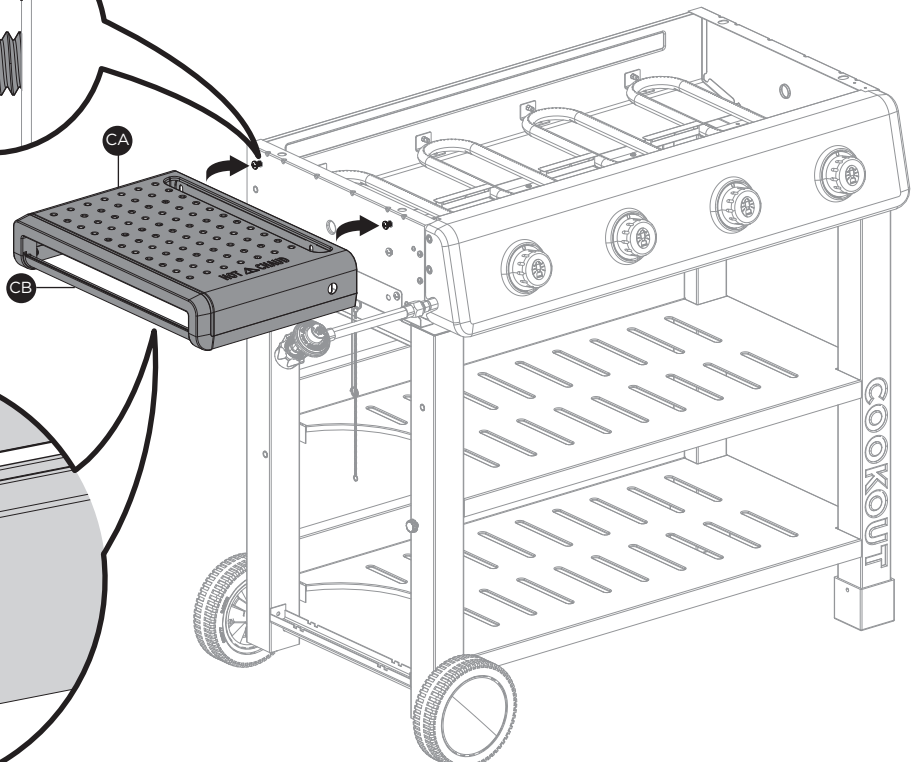
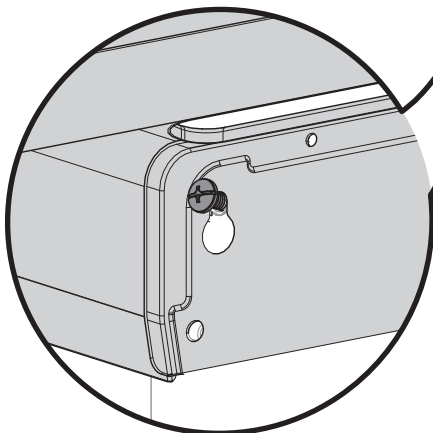
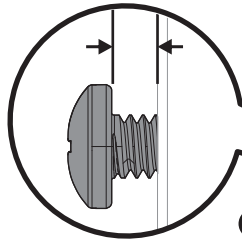


X 6

2X





8A

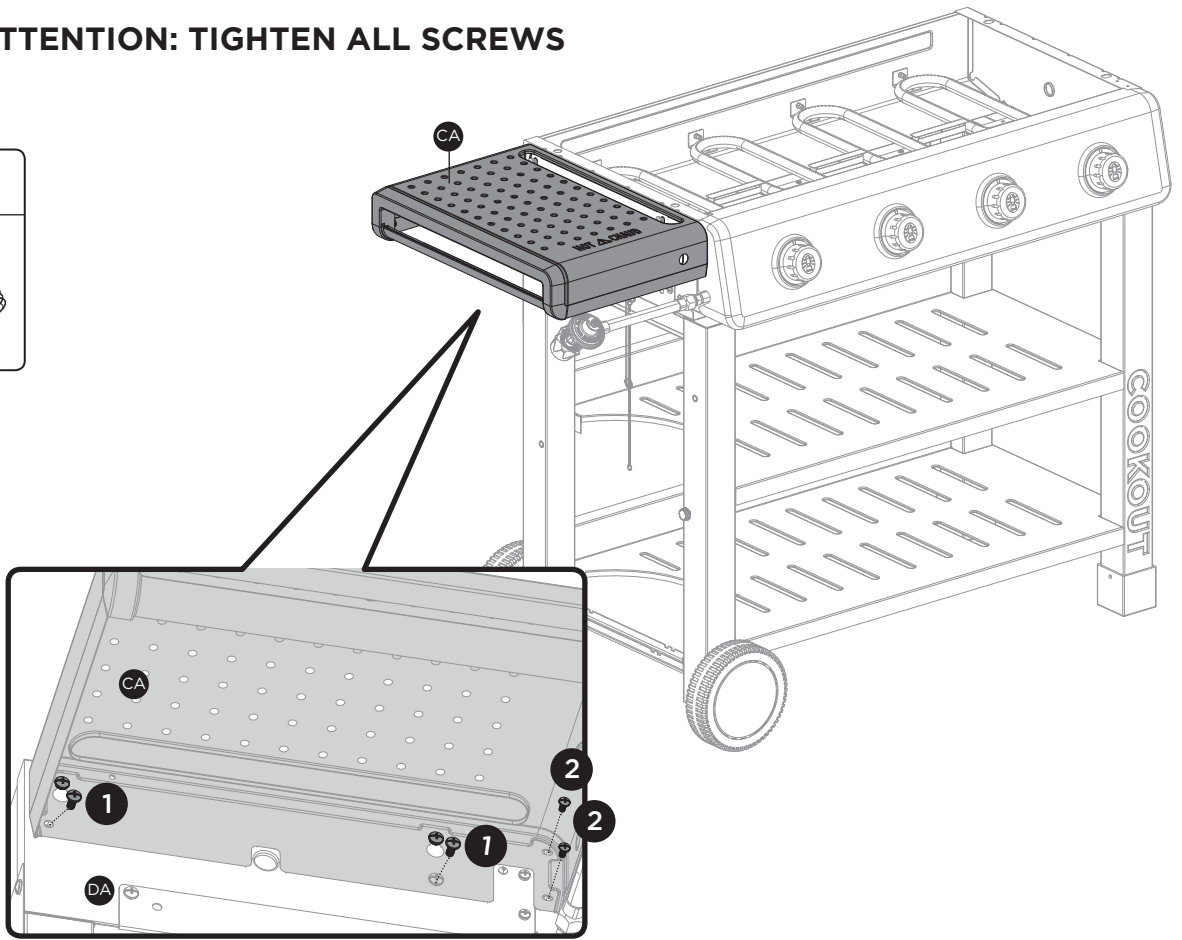


ASSEMBLY INSTRUCTIONS

8B

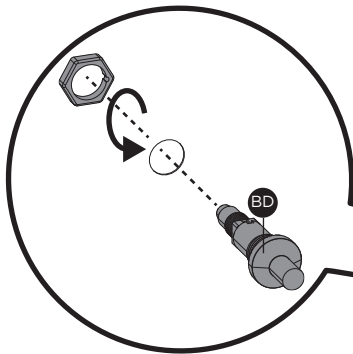
ATTENTION: TIGHTEN ALL SCREWS

1	2
	
X 2	X 2

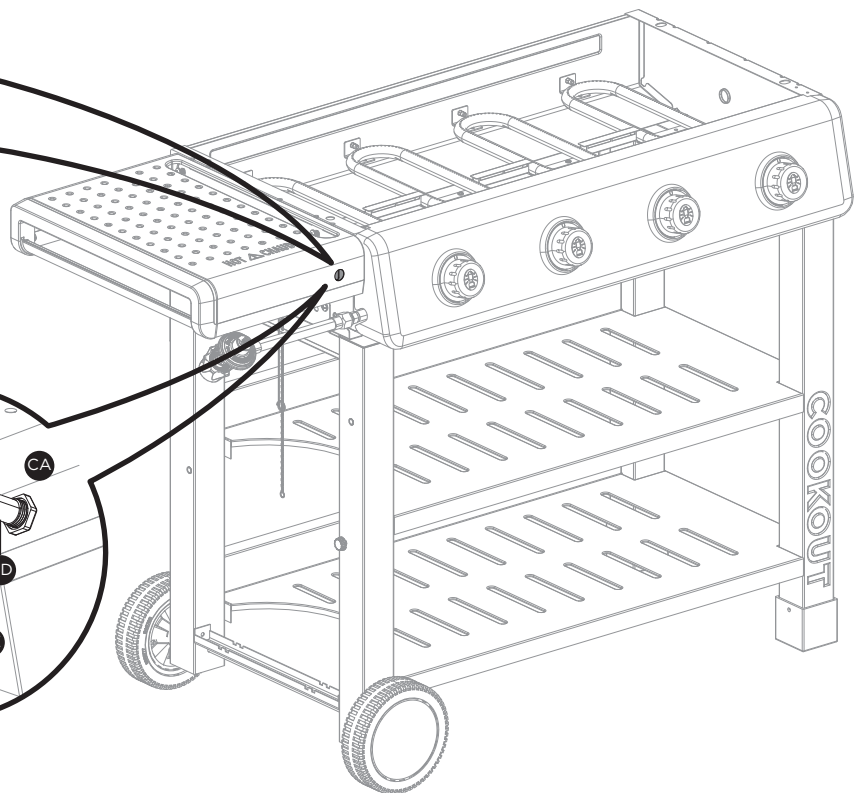
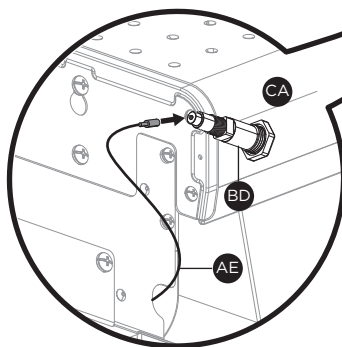


9

A




B



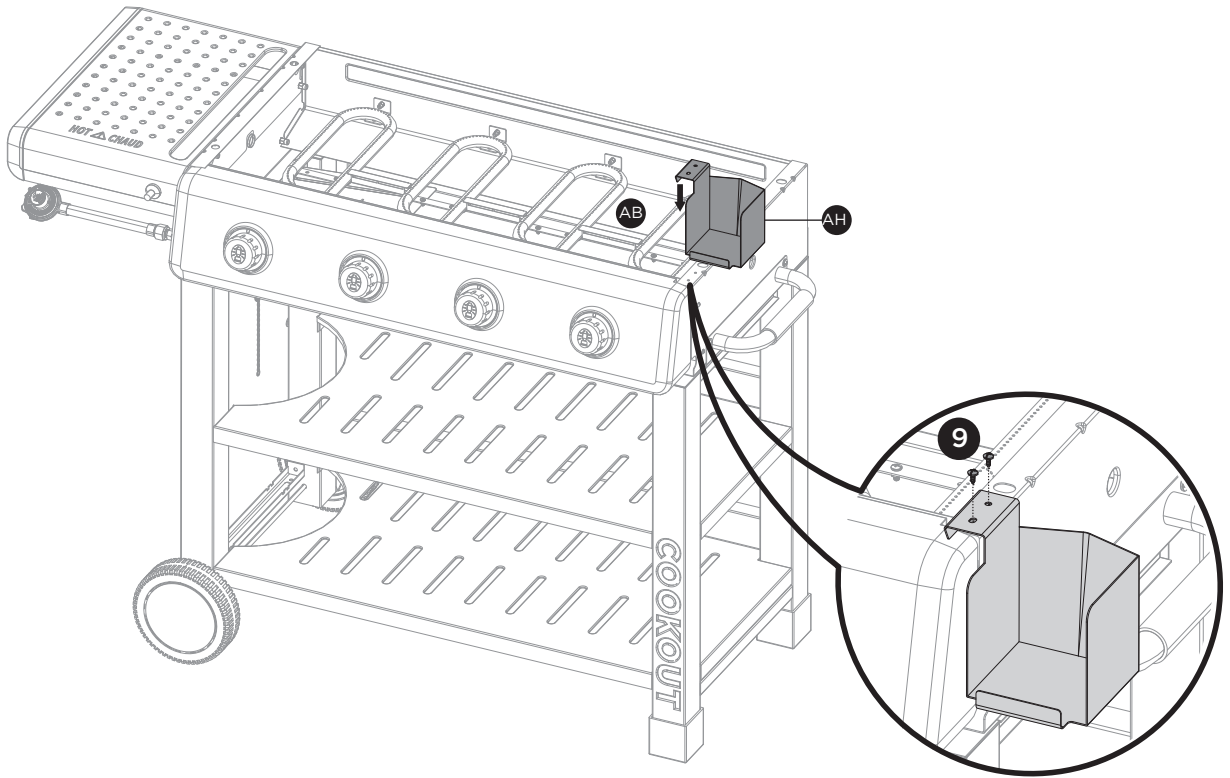
ASSEMBLY INSTRUCTIONS

10A

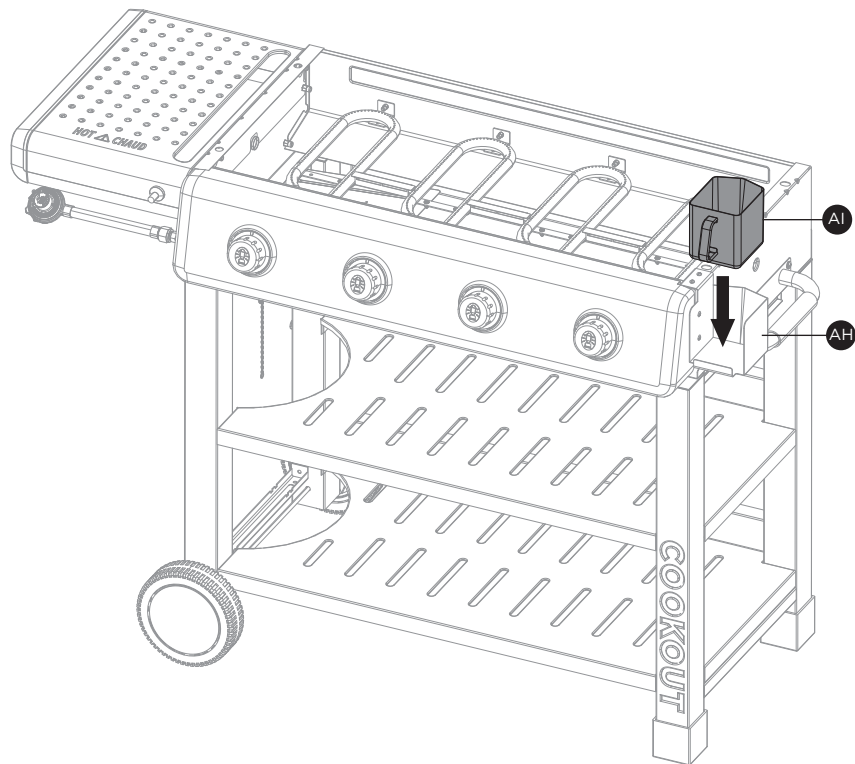
9



X 2



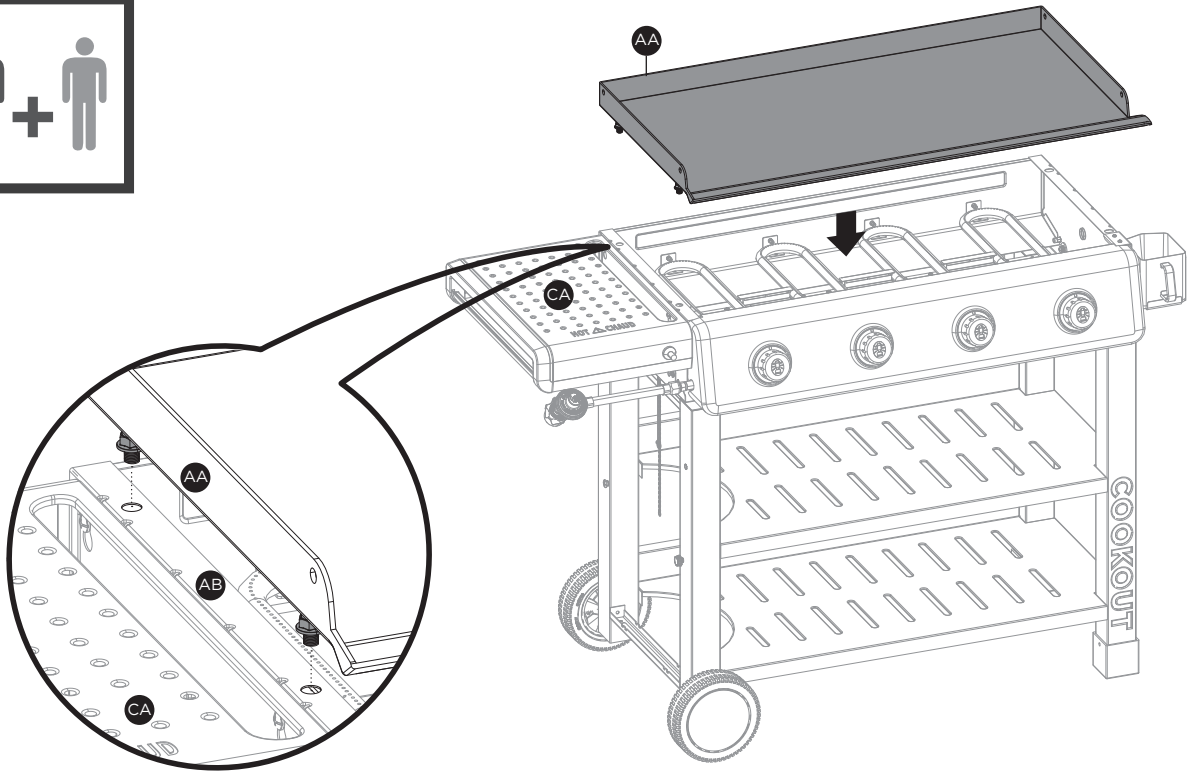
10B



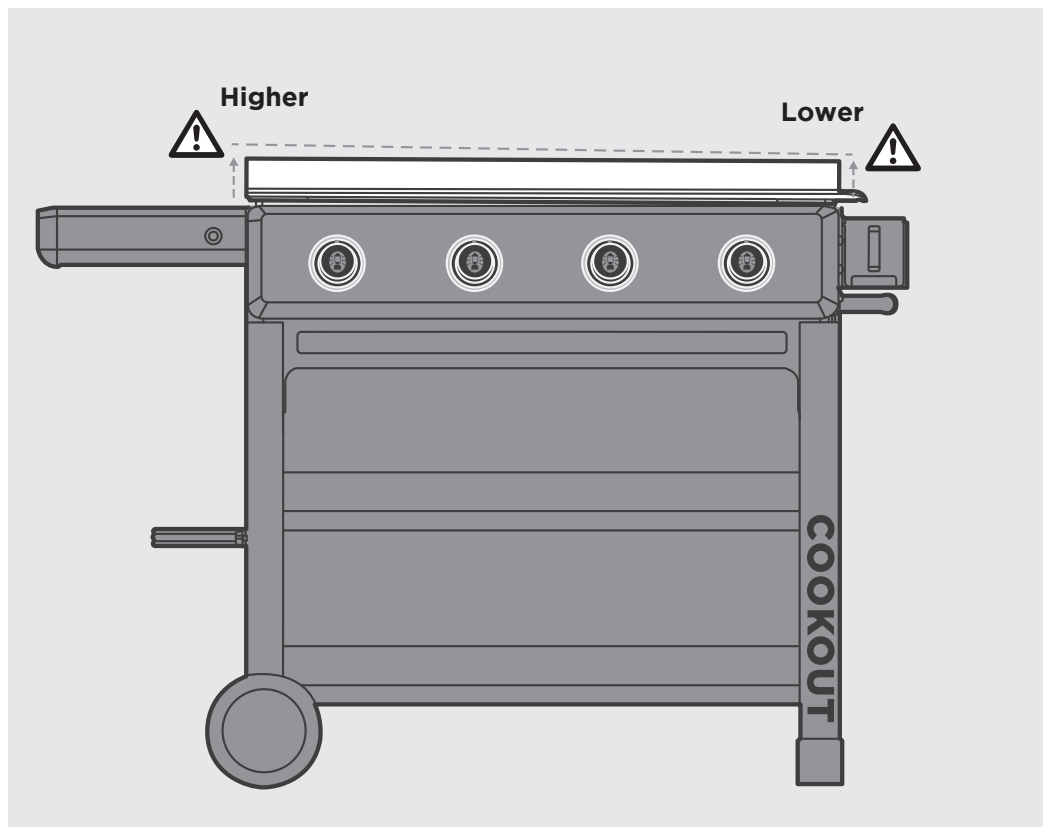
ASSEMBLY INSTRUCTIONS

11A

ATTENTION: The griddle top has been preseasoned with soy oil and may be sticky to the touch. Once the griddle has been cured and seasoned this will burn off.



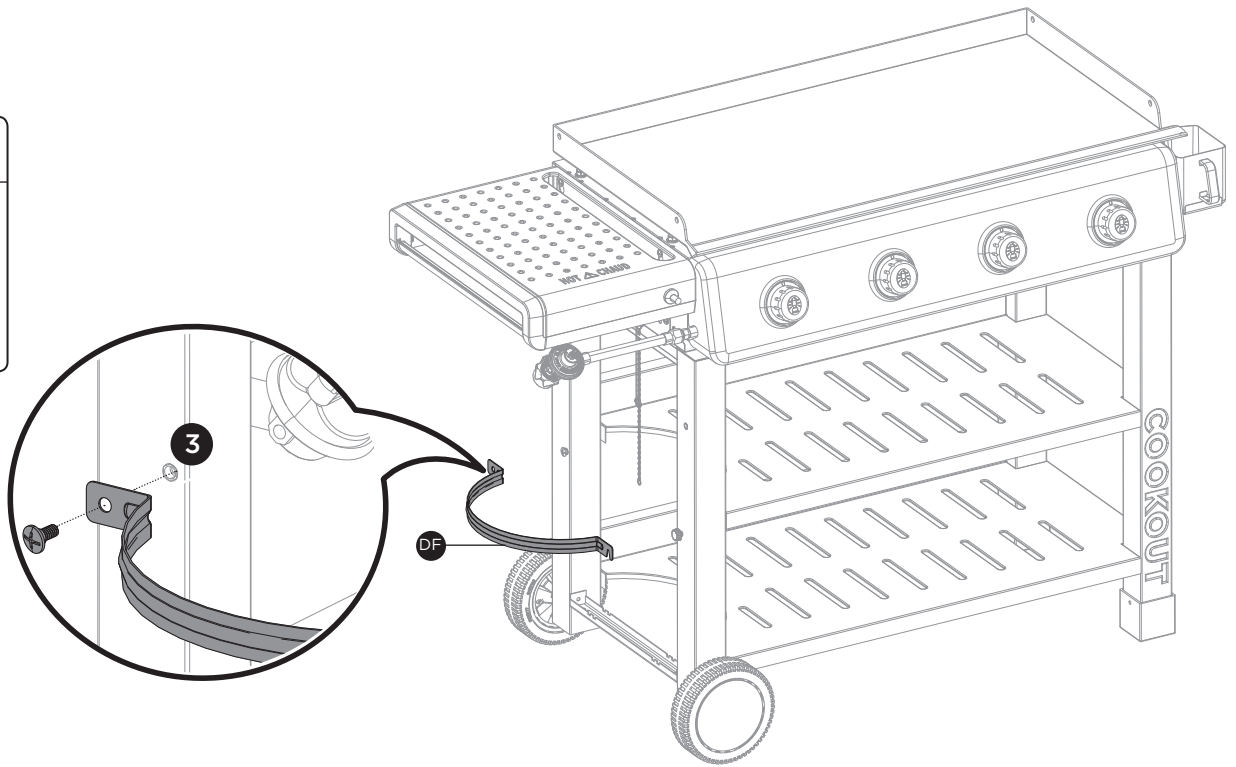
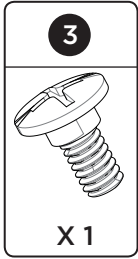
11B



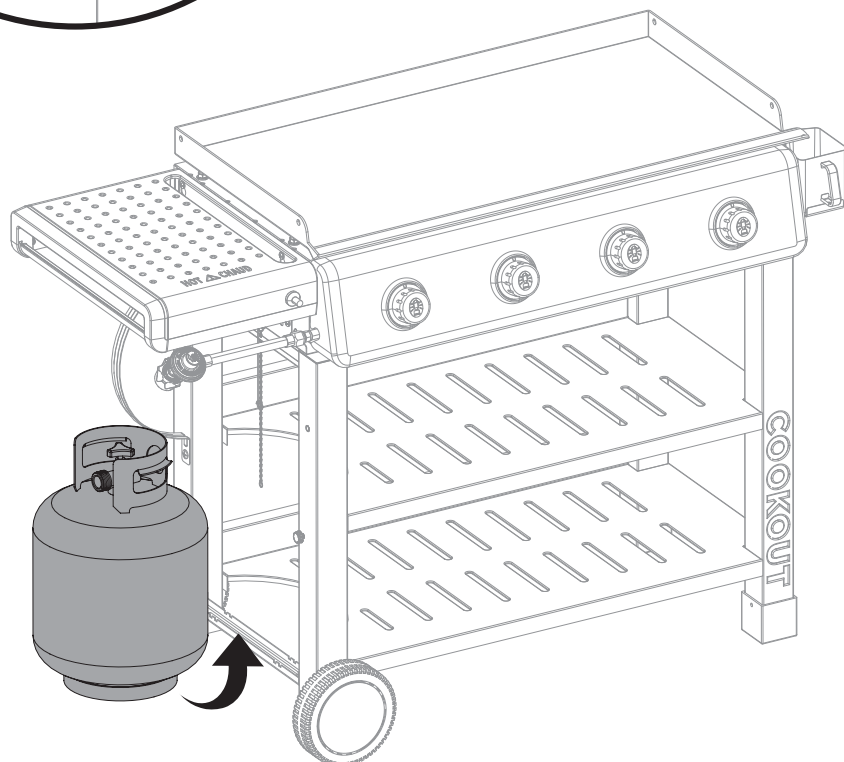
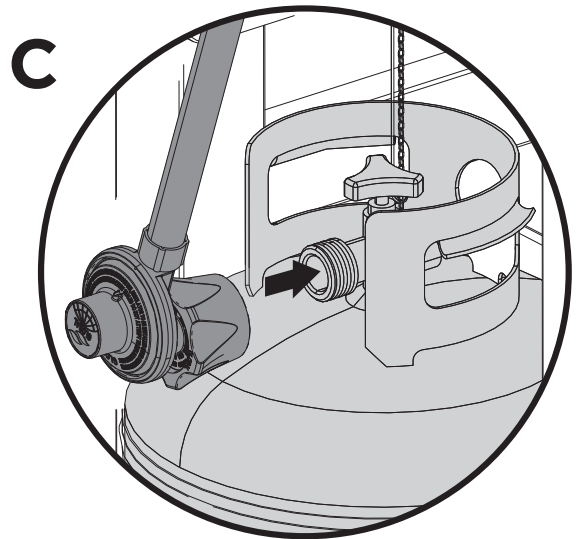
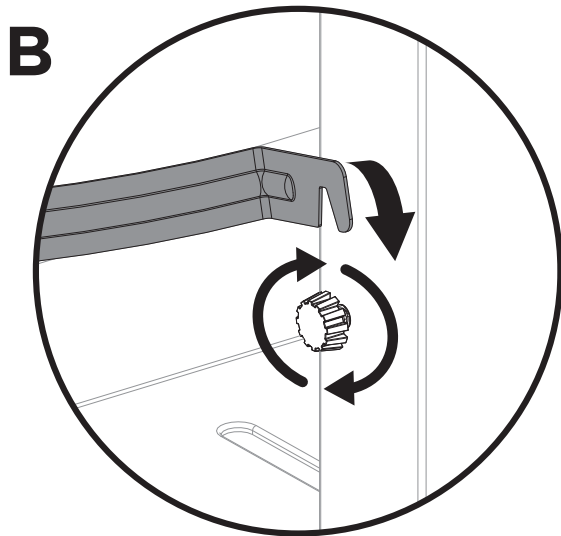
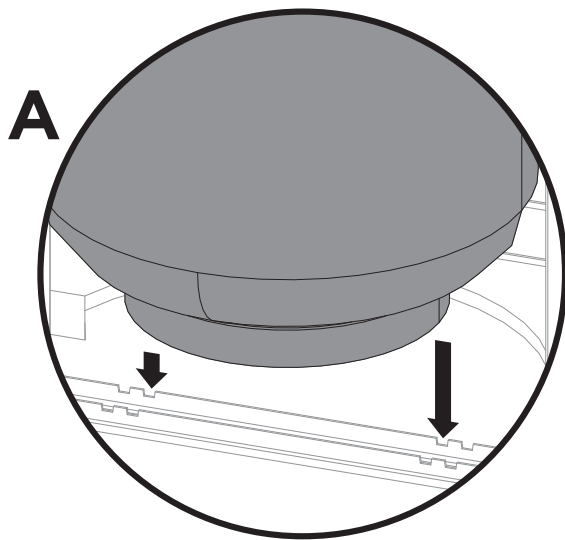
See page 01 in the Safety and Care manual for leveling instructions.

ASSEMBLY INSTRUCTIONS

12A



12B



ADDITIONAL WARNINGS

You have now completed the assembly of your COLEMAN® COOKOUT™ 36" GRIDDLE STATION.

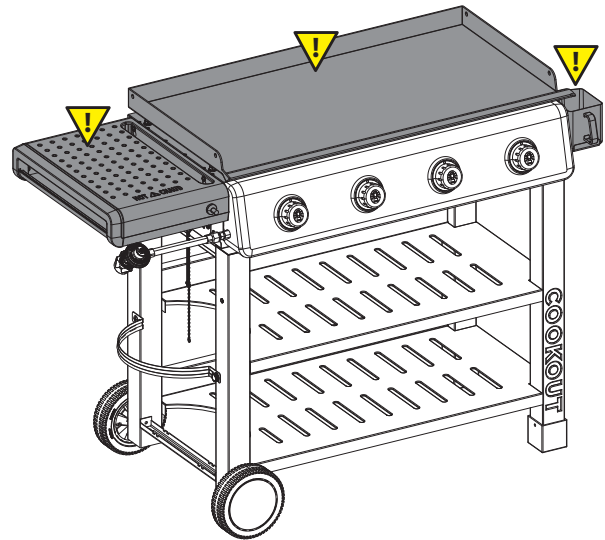
NEXT STEPS:

1. POSITION YOUR GRIDDLE STATION
2. Read SAFE USE & CARE MANUAL
- ▲ 3. Perform Griddle Safety Check-list

WARNING:

FOR YOUR FAMILIES SAFETY, DO NOT ATTEMPT TO LIGHT THIS GRIDDLE STATION UNTIL YOU HAVE REVIEWED PAGES 4-7 OF THE COLEMAN® COOKOUT™ SAFE USE & CARE MANUAL. ALL SAFETY AND LEAK TESTS MUST BE PERFORMED BY THE END USER, PRIOR TO LIGHTING THIS GRIDDLE STATION.

▲ WARNING HOT SURFACES:



POSITION YOUR GRIDDLE STATION

Always confirm that the Griddle station is not positioned under a combustible object (e.g. an awning or umbrella) or in a covered area (e.g. porch or gazebo) before lighting it, to prevent a possible fire.

Always confirm that the Griddle station is not positioned under the overhang of a house, a garage or other structure before lighting it. An overhang will serve to deflect flare-ups and radiate heat into the structure itself, which could result in a fire.

Always confirm that the Griddle station is positioned more than 36" (91.4cm) away from any combustible materials or surfaces before lighting it, and that no gasoline or other volatile substances are stored in the vicinity of this Griddle station. The temperature of a grease fire or of the radiated heat might otherwise be sufficient to ignite nearby combustibles or volatile substances. Do not position near windows, siding, or fencing.

Always locate the Griddle station where there will be ample combustion and ventilation air, but never position it in the direct path of a strong wind.



Join the conversation





facebook.com/colemangrills



twitter.com/colemangrills

Manufactured by Winners Products Engineering Ltd.

©2021 The Coleman Company, Inc.

Coleman®,  and  are registered trademarks of The Coleman Company, Inc. used under license.