



**DURABILITY • POWER • PERFORMANCE**

# EVEN HEAT™ BURNER

Includes: 1X Burner, 1X Screw, 1X M4 Wing Nut, 1X Lock Washer



## CARE AND SAFETY INSTRUCTIONS

**PART NUMBER: 85-1978 (G522-B600-02)**

### EXACT FIT FOR COLEMAN® EVEN HEAT™ MODELS:

<b>2010</b>	85-3026-0 (G52201), 85-3027-8 (G52202), 85-3028-6 (G52203), 85-3029-4 (G52204)
<b>2011/ 2012</b>	85-3046-2 (G35301), 85-3047-0 (G35302), 85-3026-0 (G52205), 85-3027-8 (G52206), 85-3028-6 (G52207), 85-3029-4 (G52208), 85-3046-2 (G35303), 85-3047-0 (G35304), 85-3026-0 (G52209), 85-3027-8 (G52210), 85-3028-6 (G52211), 85-3029-4 (G52212)
<b>2013</b>	85-3066-4 (G35305), 85-3067-2 (G35306), 85-3068-0 (G52215), 85-3069-8 (G52216), 85-3074-4 (G52217), 85-3075-2 (G52218), 85-3076-0 (G53101), 85-3077-8 (G53102)
<b>2014</b>	85-3066-4 (G35305), 85-3067-2 (G35306), 85-3068-0 (G52220), 85-3069-8 (G52221), 85-3092 (G52222), 85-3093-8 (G52223), 85-3076-0 (G53103), 85-3077-8 (G53104)
<b>2015</b>	85-3066-4 (G35308), 85-3067-2 (G35309), 85-3068-0 (G52227), 85-3069-8 (G52228), 85-3092-0 (G52229), 85-3093 (G52230), 85-3076 (G53103), 85-3077 (G53104)
<b>2016</b>	85-3066 (G35308), 85-3067 (G35309), 85-3076 (G53103), 85-3077 (G53104)

### READ AND SAVE MANUAL FOR FUTURE REFERENCE.

The Coleman® Even Heat™ Burner is designed and intended for use with Coleman® Even Heat™ Barbecues ONLY. This product will replace the original Even Heat™ burner sold with your Coleman® Even Heat™ Barbecue.

# REPLACING YOUR EVEN HEAT™ BURNERS

## ⚠ ATTENTION

Move grill to an open outdoor area prior to removing old Even Heat™ Burners and installing your NEW replacement Even Heat™ Burners. Ensure grill is cool before proceeding, and close the control knob(s) and gas supply.

## ⚠ ATTENTION ⚠

If you have a 2010 Coleman® Even Heat™ Barbecue

85-3026-0 (G52201),

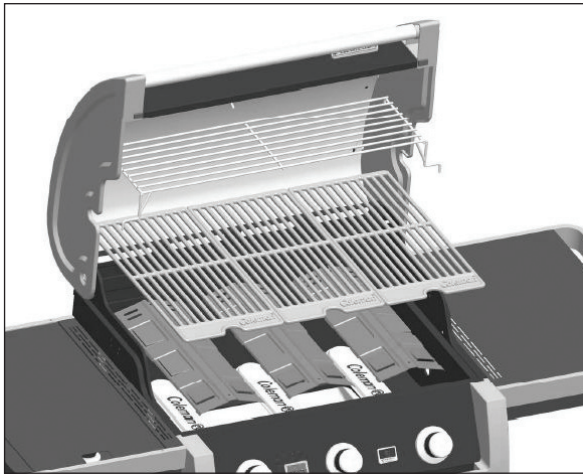
85-3027-8 (G52202),

85-3028-6 (G52203),

85-3029-4 (G52204)

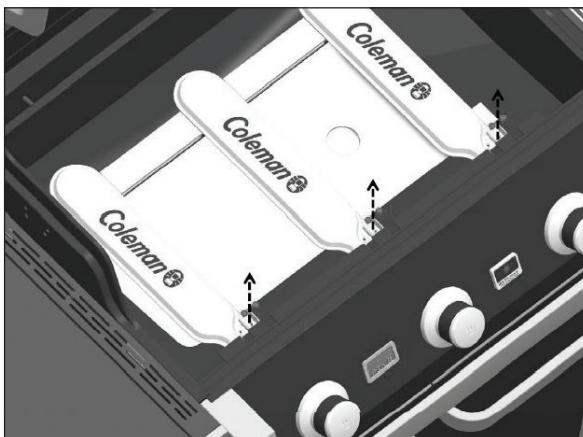
use the following instructions:

1



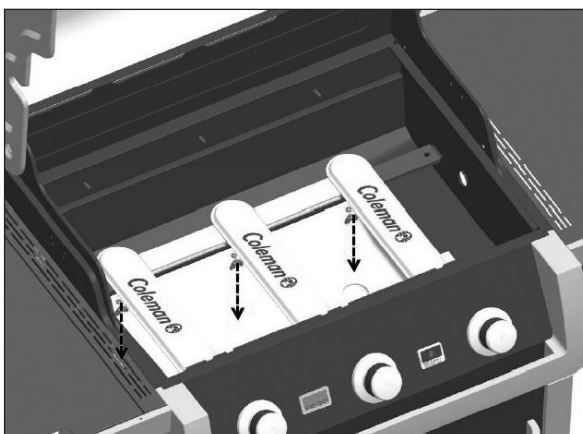
Open the top lid. Remove the warming rack, cooking grates and heat distribution plates from the burner box **figure 1**.

2



Remove the two tapping screws from the 3 or 4 electrodes, as shown in **figure 2**.

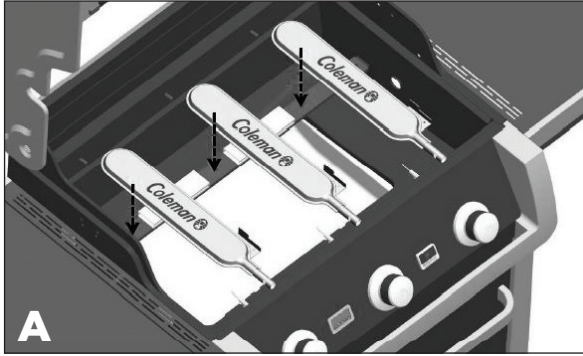
3



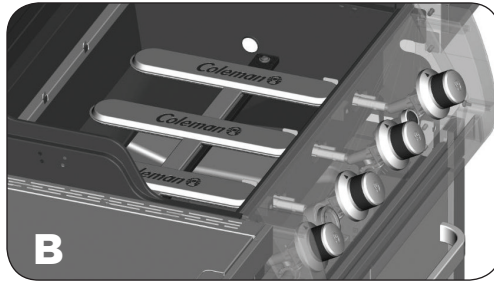
Locate and remove the Wing Nut used to attach the burner to the carryover bar, as shown in **figure 3**.

## REPLACING YOUR EVEN HEAT™ BURNERS

4



Place the new Even Heat™ burners into the burner box. Ensure that the venturi is seated correctly over valve **figure 4**.

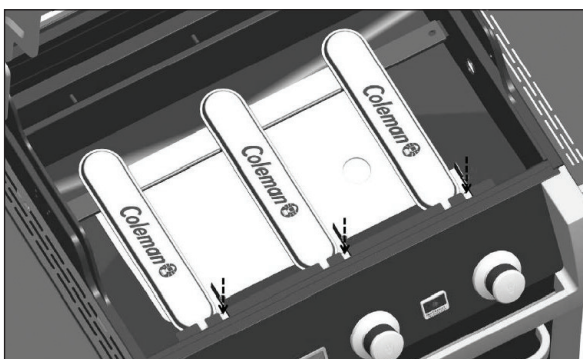


5



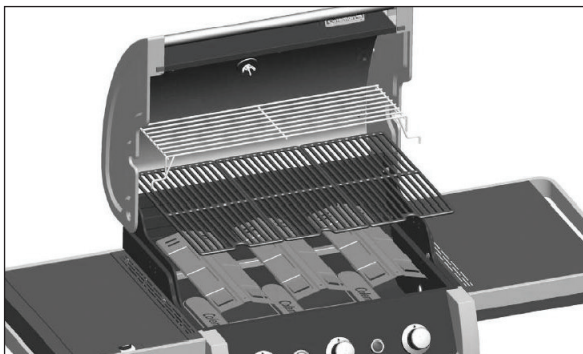
Use the new hardware, included with your new Even Heat™ burners, to secure burners to the carryover bar, as shown in **figure 5**.

6



Use the new hardware, included with your new Even Heat™ burners, to secure the electrode(s) to the new burner. Note that you will only need one self-tapping screw **figure 6**.

7



Replace the heat distribution plates, cooking grates and warming rack.

# REPLACING YOUR EVEN HEAT™ BURNERS

## ⚠ ATTENTION

Move grill to an open outdoor area prior to removing old Even Heat™ Burners and installing your NEW replacement Even Heat™ Burners. Ensure grill is cool before proceeding, and close the control knob(s) and gas supply.

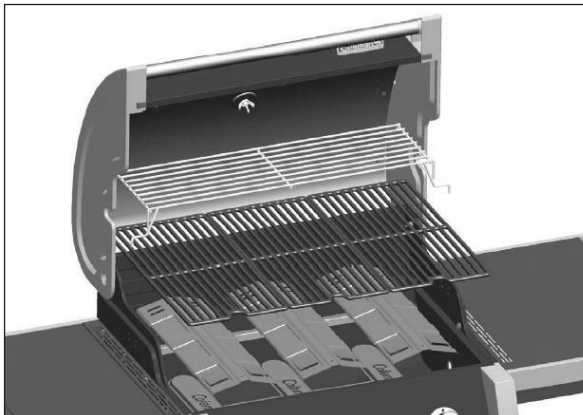
## ⚠ ATTENTION ⚠

If you have a 2011/2012/2013/2014/2015/2016 Coleman® Even Heat™ Barbecue

85-3046-2 (G35301),	85-3047-0 (G35302),	85-3026-0 (G52205),	85-3027-8 (G52206),	85-3028-6 (G52207),
85-3029-4 (G52208),	85-3046-2 (G35303),	85-3047-0 (G35304),	85-3026-0 (G52209),	85-3027-8 (G52210),
85-3028-6 (G52211),	85-3029-4 (G52212),	85-3066-4 (G35305),	85-3067-2 (G35306),	85-3068-0 (G52215),
85-3069-8 (G52216),	85-3074-4 (G52217),	85-3075-2 (G52218),	85-3076-0 (G53101),	85-3077-8 (G53102),
85-3066-4 (G35305),	85-3067-2 (G35306),	85-3068-0 (G52220),	85-3069-8 (G52221),	85-3092 (G52222),
85-3093-8 (G52223),	85-3076-0 (G53103),	85-3077-8 (G53104),	85-3066-4 (G35308),	85-3067-2 (G35309),
85-3068-0 (G52227),	85-3069-8 (G52228),	85-3092-0(G52229),	85-3093 (G52230),	85-3076 (G53103),
85-3077 (G53104),	85-3066 (G35308),	85-3067 (G35309),	85-3076 (G53103),	85-3077 (G53104)

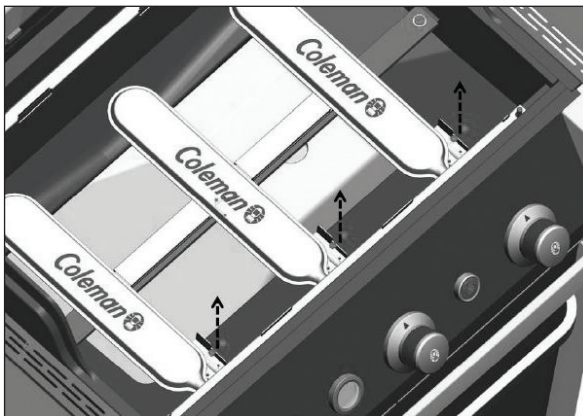
use the following instructions:

1



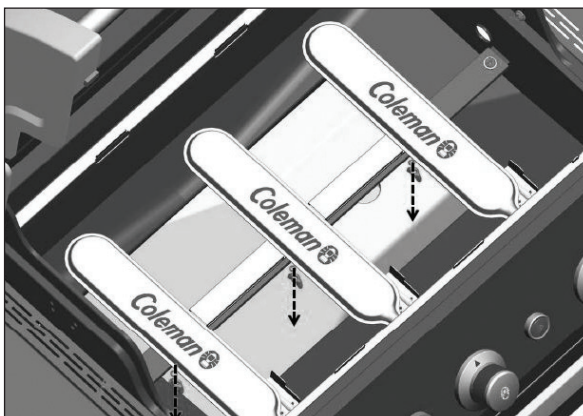
Open the top lid. Remove the warming rack, cooking grates and heat distribution plates from the burner box **figure 1**.

2



Remove the two tapping screws from the 3 or 4 electrodes, as shown in **figure 2**.

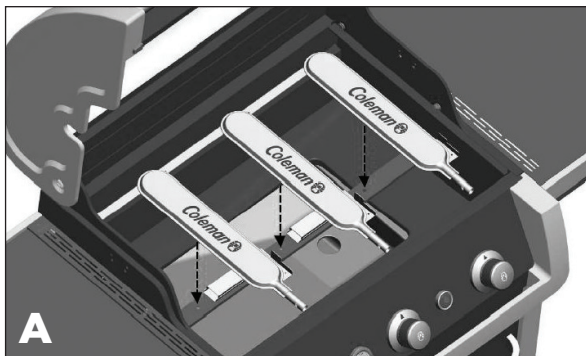
3



Locate and remove the Wing Nut used to attach the burner to the carryover bar, as shown in **figure 3**.

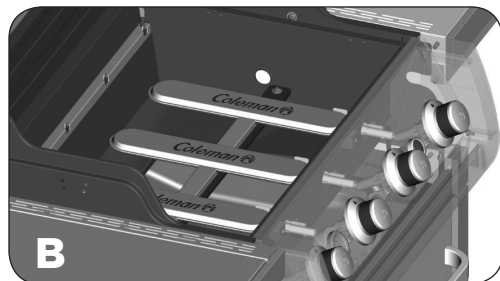
## REPLACING YOUR EVEN HEAT™ BURNERS

4

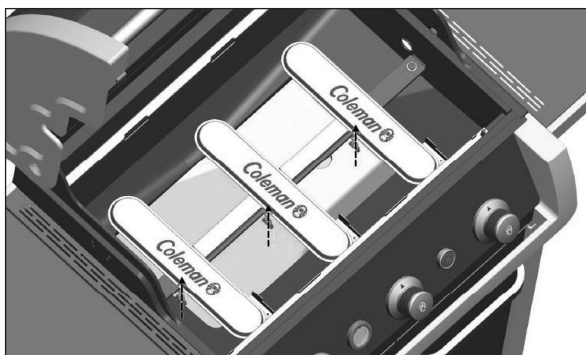


Place the new Even Heat™ burners into the burner box. Ensure that the venturi is seated correctly over valve **figure 4**.

B

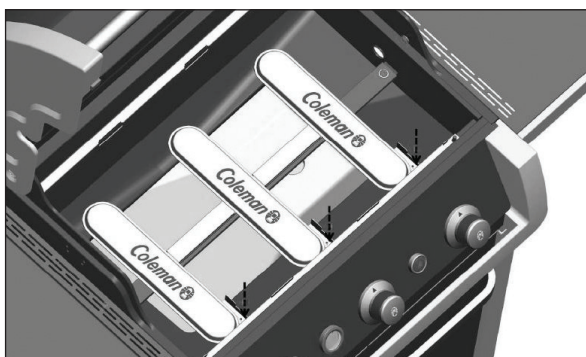


5



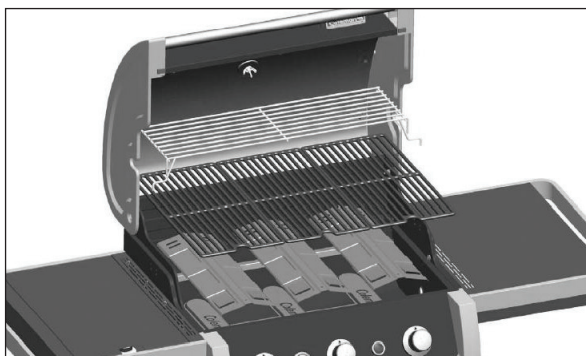
Use the new hardware, included with your new Even Heat™ burners, to secure burners to the carryover bar, as shown in **figure 5**.

6



Use the new hardware, included with your new Even Heat™ burners, to secure the electrode(s) to the new burner. Note that you will only need one self-tapping screw **figure 6**.

7



Replace the heat distribution plates, cooking grates and warming rack.

## CARE AND SAFETY

### CAUTION

Before attempting to ignite your barbecue, for your safety, please conduct a visual check to ensure that the burners are aligned with the valves correctly, that all connections between the gas supply line and the barbecue are tightened, and finally that a complete leak test of the hose and regulator, gas supply connection and manifold connection, is successfully completed. Please visit [www.colemanbbqs.com](http://www.colemanbbqs.com), or refer to your Coleman® Safe Use and Care manual for additional information..

## CLEANING YOUR COLEMAN® EVEN HEAT™ BURNERS

Perform at the start of the season, and at least twice in-season, more if the barbecue is being used frequently or year-round.

### CAUTION

**Always allow sufficient time for the barbecue to fully cool before handling or cleaning any of its parts.**

1. Remove and/or disassemble the following parts: cooking grates, warming rack, Even Heat™ heat distribution plates, Even Heat™ burners.
2. Remove the hardware used to assemble the burners to the carryover bar.
3. Lift the burners out of the burner box, just enough to perform these steps.
4. Clean the burner port holes using a wire or paperclip to unclog the ports. Do not use any tools that will cause damage to or enlarge the port holes.

CAUTION Do not use anything larger in diameter than the port hole itself as this may cause damage to the burner port holes.

5. Use a flexible venturi cleaning brush to clean the interior of the burner. Shake any loose debris out of burner, through the gas inlet.
6. Use cotton swab to remove debris from the valve gas jets.
7. Re-install the burner. Ensure that the burner covers the valve gas jets.



### Join the conversation



[facebook.com/colemangrills](https://facebook.com/colemangrills)



[twitter.com/colemangrills](https://twitter.com/colemangrills)

*Distributed by: Winners Products Engineering Ltd.  
Coleman® , and  are registered trademarks of the Coleman Company, Inc used under license. ©2018 The Coleman Company, Inc.*

[www.colemanbbqs.com](http://www.colemanbbqs.com)