



REVOLUTION™

2 BURNER



FLARE FREE
TECHNOLOGY™

ASSEMBLY MANUAL

85-3139-2 (G36303) Propane

LIMITED 5-YEAR WARRANTY

Read and save manual for future reference.

Assemble your barbecue immediately. Missing or damaged parts should be claimed within 30 days of purchase.

For product inquiries, parts, warranty and troubleshooting support, please call 1-800-275-4617.



HEAVY ARTICLE NEEDS 2 TO LIFT

THIS MANUAL MUST REMAIN WITH THE PRODUCT AT ALL TIMES

To ORDER non-warranty replacement parts or accessories,
or to register your warranty, please visit us on the web at
www.colemanbbqs.com

⚠ CAUTION

Sharp edges. Wear gloves when assembling your barbecue.

⚠ CAUTION

Read and follow all safety statements, assembly instructions, use and care directions before attempting to assemble and cook.

⚠ INSTALLER OR ASSEMBLER/ CONSUMER

This manual should be kept with the barbecue at all times.

⚠ WARNING

Failure to follow all of the Manufacturer's instructions could result in hazardous fires, explosions, property damage, or serious personal injury or even death.

Follow all leak check procedures carefully prior to operation of barbecue, even if barbecue was dealer assembled. Do not try to light this barbecue without reading the Lighting Instructions section of this manual.

⚠ DANGER

1. If you smell Gas:
 - a. Shut off gas to the appliance
 - b. Extinguish any open flame
 - c. Open lid
 - d. If odour continues, keep away from the appliance and immediately call your gas supplier or your fire department
 2. Requires two people to complete the assembly process.
 3. Beware of sharp edges.
-

⚠ WARNING

1. Do not store or use gasoline or other flammable liquids or vapours in the vicinity of this or any other appliance.
 2. An LP cylinder not connected for use shall not be stored in the vicinity of this or any other appliance.
-

⚠ WARNING

IN DIRECT SUN, AND IN OPERATION, YOUR BARBECUE'S STAINLESS STEEL AND PAINTED STEEL PARTS CAN BECOME VERY HOT.

THIS BARBECUE IS FOR OUTDOOR USE ONLY

CONTACT CALL CENTRE IF ANY PARTS ARE MISSING

1-800-275-4617

























HARDWARE PACK

TOOLS NEEDED FOR ASSEMBLY

- #2 Phillips screwdriver (long and short)
- 1/4" Slotted screwdriver (long and short)
- Adjustable wrench
- Pliers

| No. | Description | Part Number | Qty. |
|-----|------------------------|------------------|------|
| 1 | 1/4"-20UNCx38 Screw | 20120-13038-250 | 6 |
| 2 | 1/4"-20UNCx16 Screw | 20120-13016-250 | 30 |
| 3 | 1/4"-20UNC Screw | G353-0014-9000 | 4 |
| 4 | NO.10-24UNCx13 Screw | 20124-10013-250 | 14 |
| 5 | NO.8-32UNCx18 Screw | 20132-08018-250 | 2 |
| 6 | NO.8-32UNCx10 Screw | 20332-08010-250 | 3 |
| 7 | ST4.2x10 Tapping Screw | 22500-42010-137B | 6 |
| 8 | Rubberized Washer | G501-0054-9100 | 10 |
| 9 | 1/4"-20UNC Nut | 30220-13000-250 | 2 |
| 10 | NO.8-32UNC Nut | 30232-08000-250 | 2 |
| 11 | Wheel Lock Pin | G350-0026-9000 | 1 |
| 12 | AA Battery | G610-0028-9100 | 1 |

⚠ Caution:
Sheet metal can cause injury. Wear gloves when installing the barbecue.

| | | |
|--|---|---|
|  <p>1</p>  <p>1/4"-20UNCx38 Screw X 6</p> |  <p>2</p>  <p>1/4"-20UNCx16 Screw X 30</p> |  <p>3</p>  <p>1/4"-20UNC Screw X 4</p> |
|  <p>4</p>  <p>NO.10-24UNCx13 Screw X 14</p> |  <p>5</p>  <p>NO.8-32UNCx18 Screw X 2</p> |  <p>6</p>  <p>NO.8-32UNCx10 Screw X 3</p> |
|  <p>7</p>  <p>ST4.2x10 Tapping Screw X 6</p> |  <p>8</p>  <p>Rubberized Washer X 10</p> |  <p>9</p>  <p>1/4"-20UNC Nut X 2</p> |
|  <p>10</p>  <p>NO.8-32UNC Nut X 2</p> |  <p>11</p>  <p>Wheel Lock Pin X 1</p> |  <p>12</p>  <p>AA Battery X 1</p> |

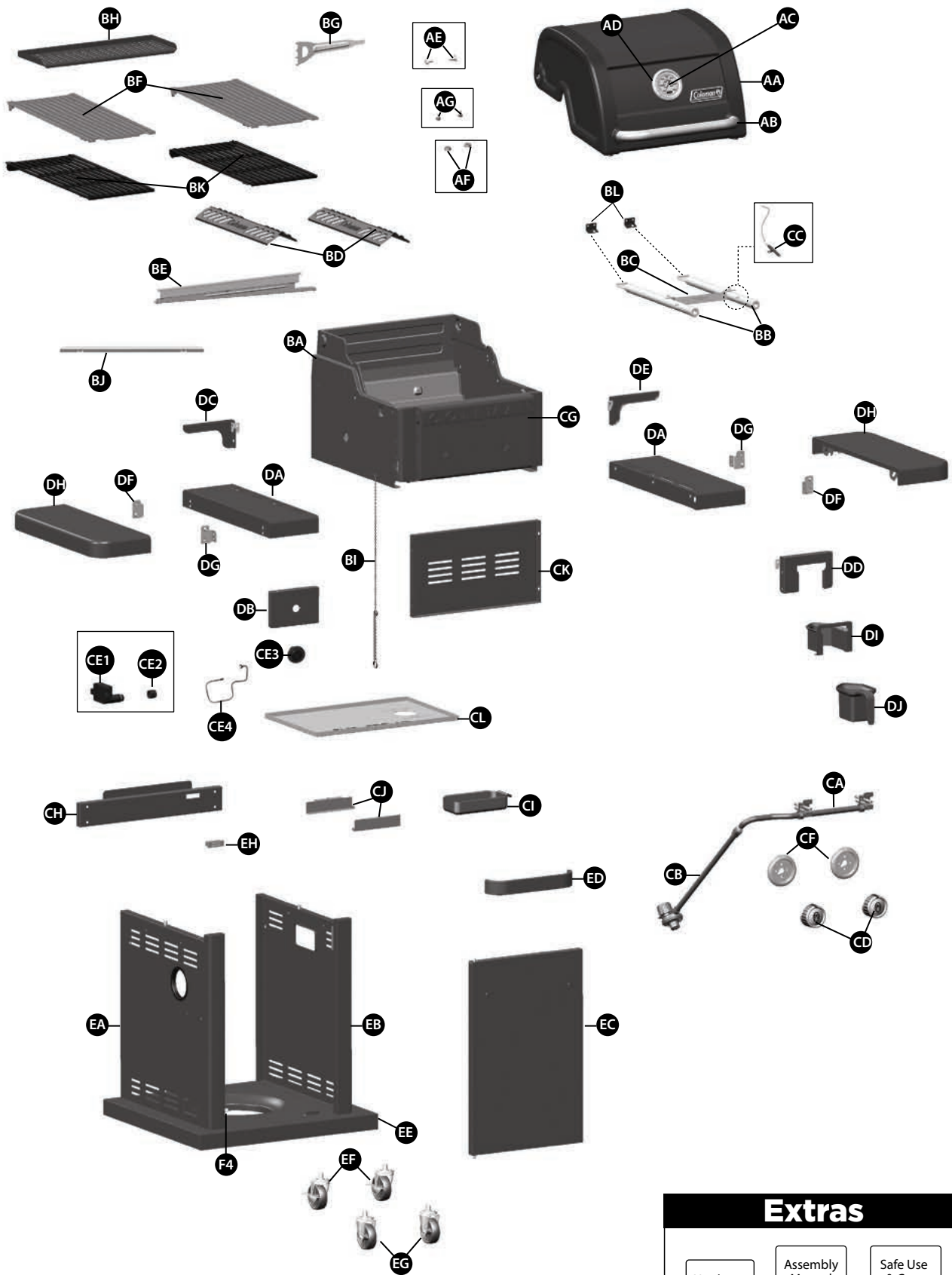
BEFORE ASSEMBLING THIS BARBECUE, READ THE INSTRUCTIONS CAREFULLY.

Assemble the barbecue on a flat, clean surface. Grill is heavy. Two people are recommended to assemble this barbecue.

PARTS LIST (PROPANE) FOR 85-3139-2 (G36303)

| Item No. | Qty. | Description | Part No. | Item No. | Qty. | Description | Part No. |
|----------|------|------------------------------|--------------|----------|------|------------------------------------|--------------|
| AA | 1 | Top Lid Assembly | G363-2500-01 | DA | 2 | Side Shelf Table | G363-0800-01 |
| AB | 1 | Lid Handle | G363-0005-02 | DB | 1 | Side Shelf Fascia, Left | G363-3600-01 |
| AC | 1 | Thermometer | G363-0009-01 | DC | 1 | Side Shelf Table Rear Brace, Left | G363-1000-01 |
| AD | 1 | Thermometer Bezel | G532-0006-01 | DD | 1 | Side Shelf Fascia, Right | G363-1100-01 |
| AE | 2 | Screw, Top Lid | G466-0007-01 | DE | 1 | Side Shelf Table Rear Brace, Right | G363-1200-01 |
| AF | 2 | Lid Bumper, Front | G527-0002-02 | DF | 2 | Support bracket A, side shelf | G363-1300-01 |
| AG | 2 | Lid Bumper, Rear | G303-0038-01 | DG | 2 | Support bracket B, side shelf | G363-1400-01 |
| BA | 1 | Burner Box Assembly | G363-3100-01 | DH | 2 | Side Shelf Extension Table | G363-1500-01 |
| BB | 2 | Main Burner | G532-3500-01 | DI | 1 | Grease Cup Holder, Flare-Free | G363-0023-02 |
| BC | 1 | Carryover Assembly | G354-0024-01 | DJ | 1 | Grease Cup, Flare-Free | G363-0023-02 |
| BD | 2 | Heat Distribution Plate | G532-0016-01 | EA | 1 | Cart Side Panel, Left | G363-4100-01 |
| BE | 1 | Grease Channel | G363-0012-01 | EB | 1 | Cart Side Panel, Right | G363-4200-01 |
| BF | 2 | Upper Cooking Grate | G532-0081-01 | EC | 1 | Door Assembly | G363-2800-01 |
| BG | 1 | Cleaning Tool | G532-0083-01 | ED | 1 | Door Handle | G363-0019-01 |
| BH | 1 | Warming Rack | G363-0013-01 | EE | 1 | Bottom Shelf | G363-0500-01 |
| BI | 1 | Match Holder | G501-0068-01 | EF | 2 | Locking Castor | G350-0023-01 |
| BJ | 1 | Grease Channel Shield | G532-0063-01 | EG | 2 | Castor | G350-0024-01 |
| BK | 2 | Lower Cooking Grate | G532-0080-01 | EH | 1 | Door Magnet Assembly | G527-0037-01 |
| BL | 2 | Main Burner Brace | G466-0047-01 | F1 | 1 | Hardware Pack | G363-B003-01 |
| CA | 1 | Manifold Assembly | G363-3300-01 | F2 | 1 | Assembly Manual | G363-M003-01 |
| CB | 1 | Regulator | G409-0069-01 | F3 | 1 | Safe Use and Care Manual | G363-M003-02 |
| CC | 1 | Electrode Set, Main Burner | G515-0067-01 | F4 | 1 | Tank Screw | G505-0047-01 |
| CD | 2 | Control Knob | G532-3600-01 | | | | |
| CE1 | 1 | Electronic Ignition Assembly | G532-0019-01 | | | | |
| CE2 | 1 | Ignition Battery Cover | G532-0019-02 | | | | |
| CE3 | 1 | Instastart™ Ignition Button | G532-0082-01 | | | | |
| CE4 | 1 | Ground Wire | G602-0024-01 | | | | |
| CF | 2 | Knob Bezel | G363-0026-01 | | | | |
| CG | 1 | Control Panel | G363-0010-01 | | | | |
| CH | 1 | Door Support Rail | G363-5000-01 | | | | |
| CI | 1 | Grease Cup, Burner Box | G416-0015-01 | | | | |
| CJ | 2 | Grease Cup Rails | G466-0034-01 | | | | |
| CK | 1 | Upper Back Panel | G363-0015-01 | | | | |
| CL | 1 | Heat Shield | G363-0016-01 | | | | |

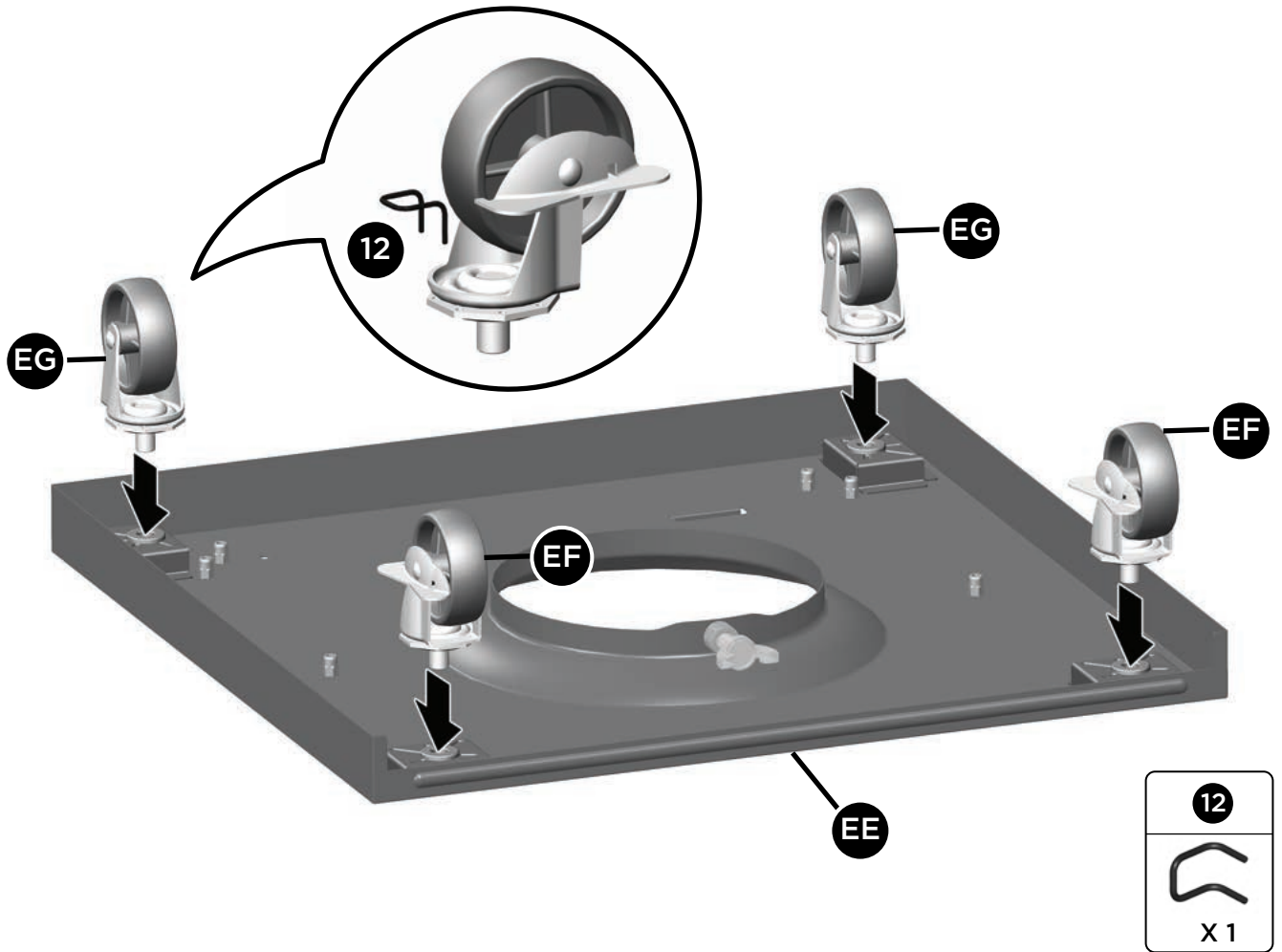
EXPLODED DIAGRAM (PROPANE) FOR 85-3139-2 (G36303)



| Extras | | |
|----------------------------|------------------------------|-------------------------------------|
| Hardware Pack F1 | Assembly Manual F2 | Safe Use & Care Manual F3 |

ASSEMBLY INSTRUCTIONS

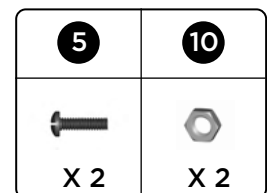
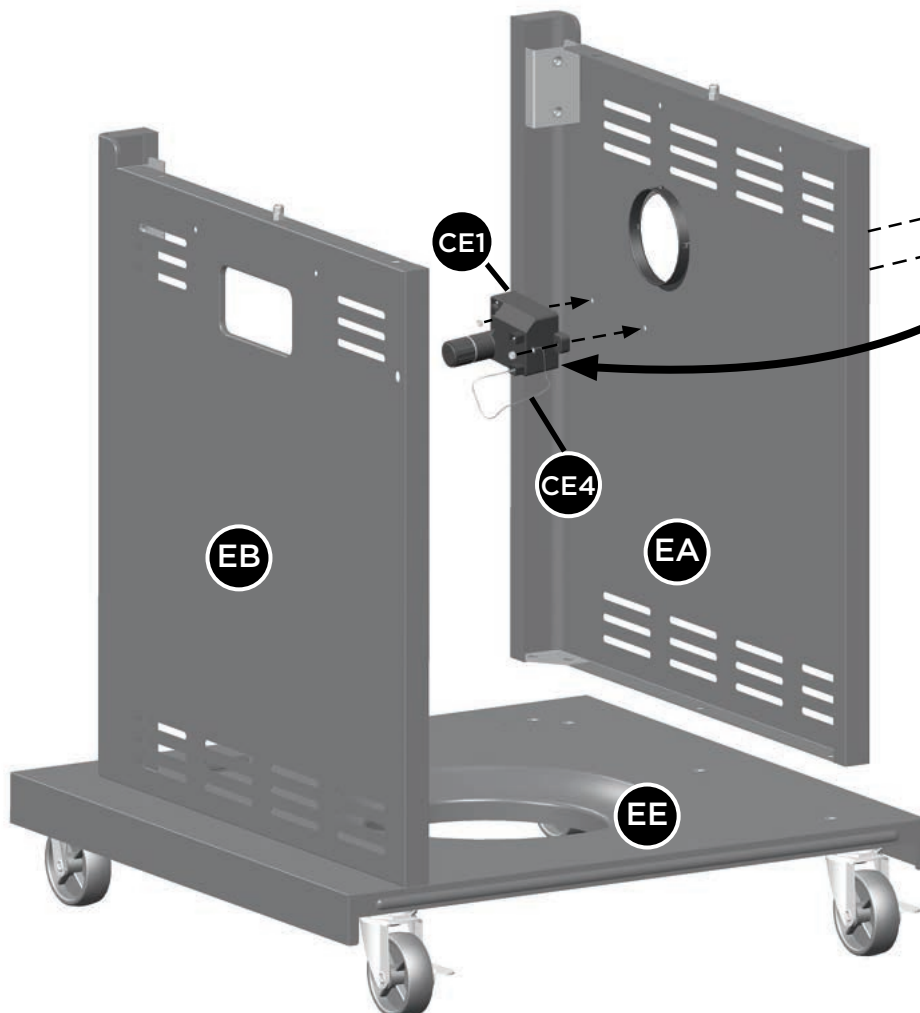
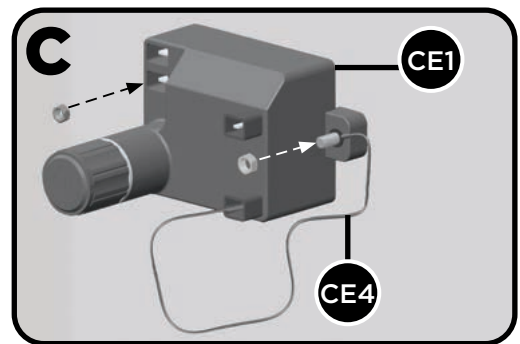
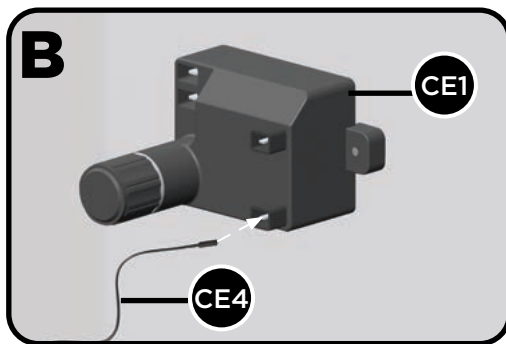
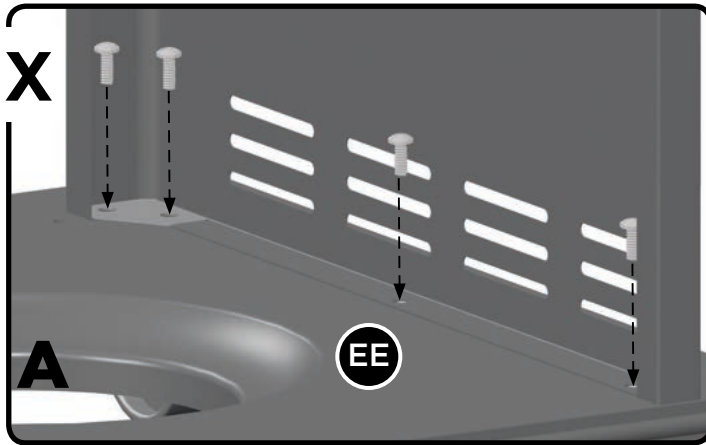
1



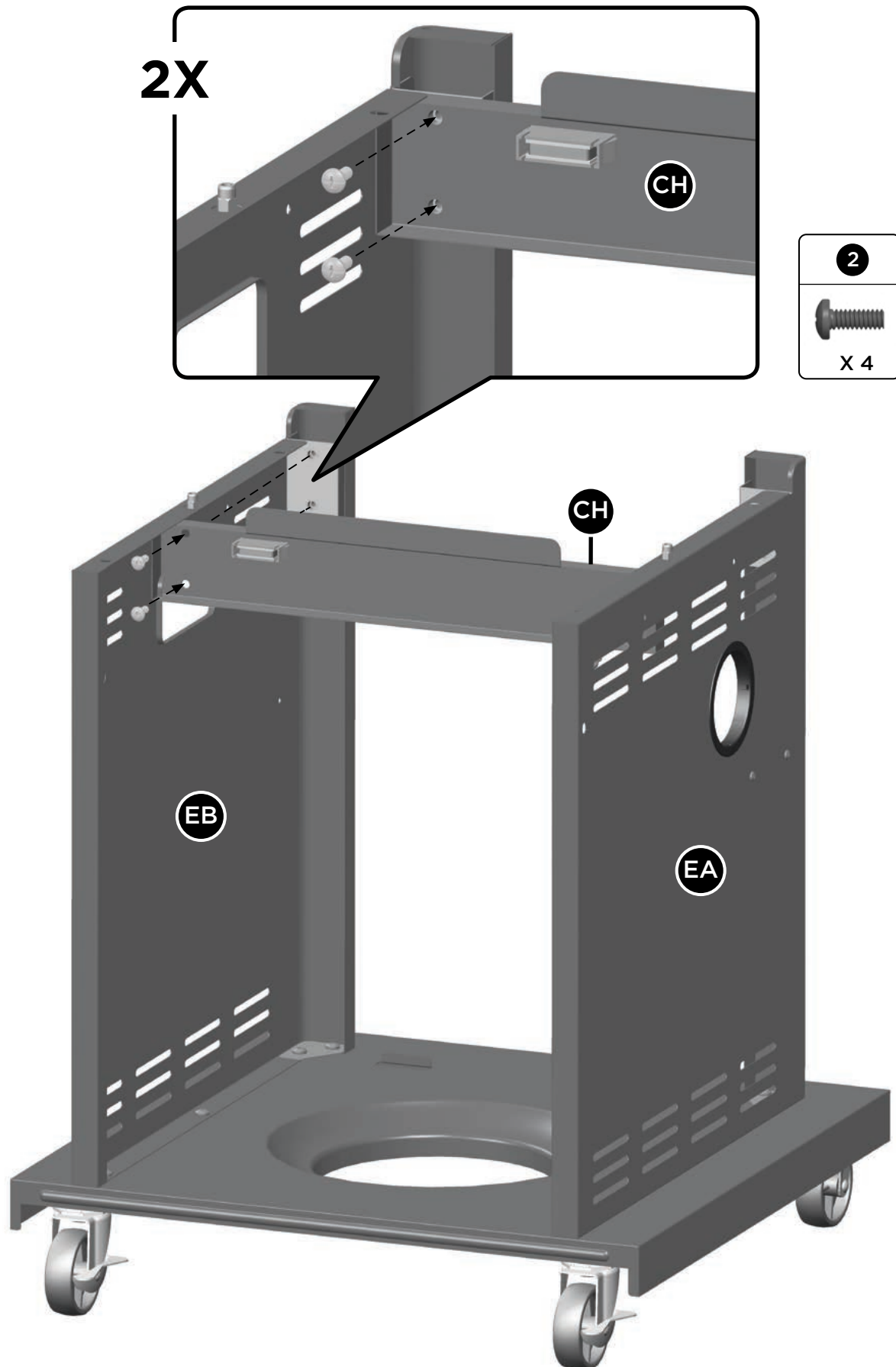
ASSEMBLY INSTRUCTIONS

2

2X



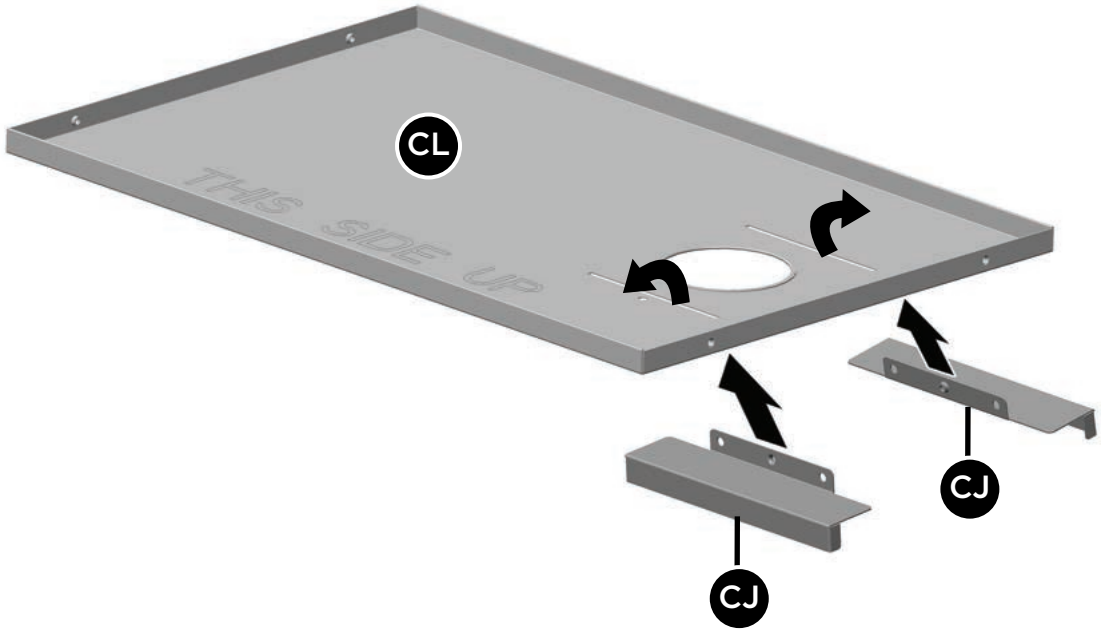
3



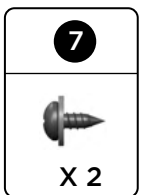
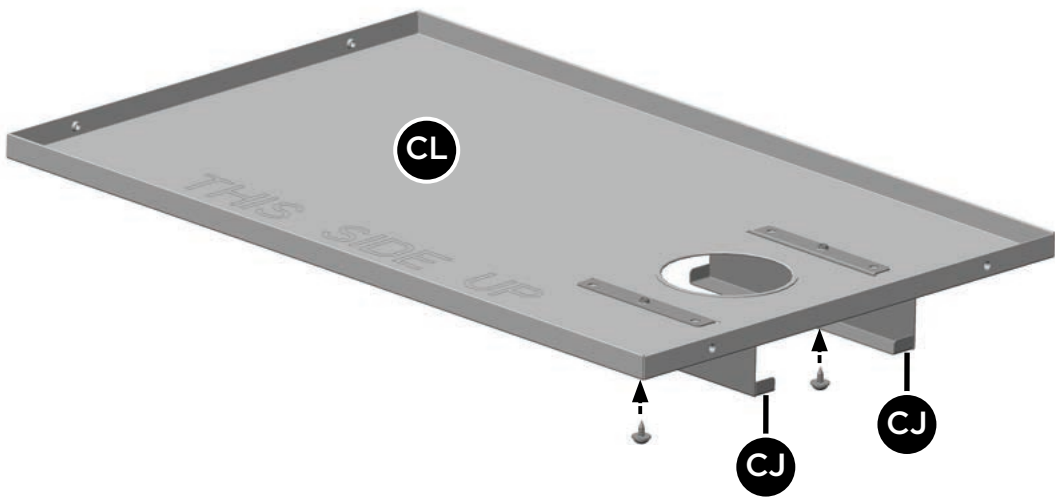
ASSEMBLY INSTRUCTIONS

4

A.



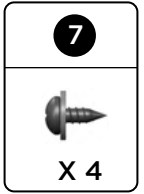
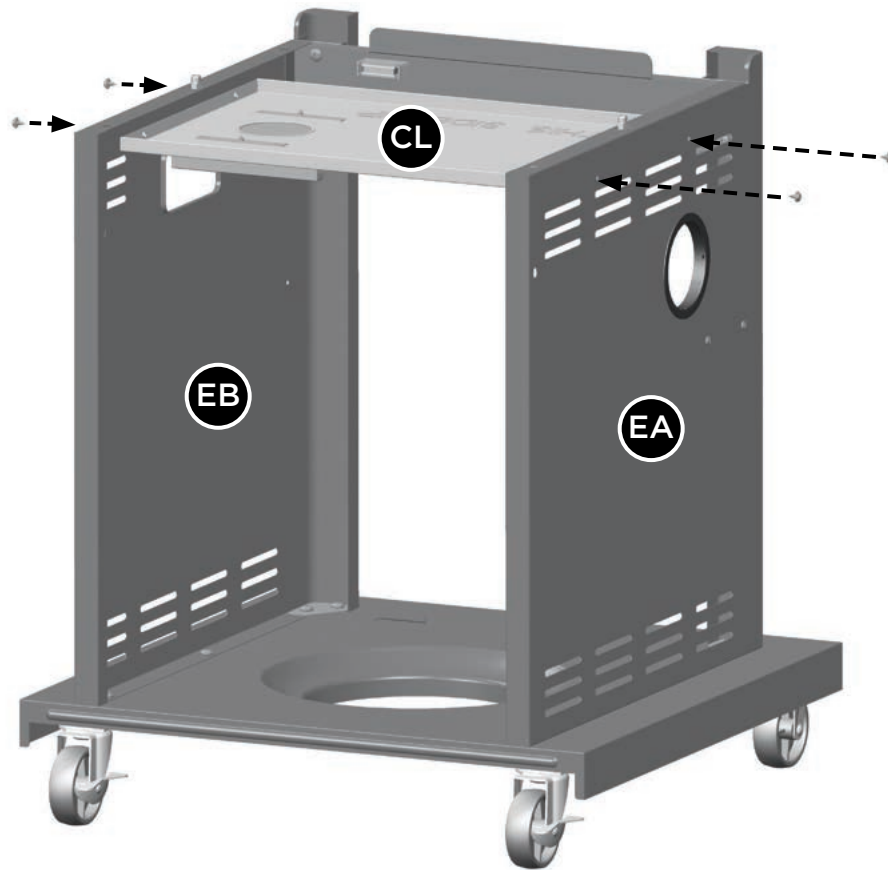
B.



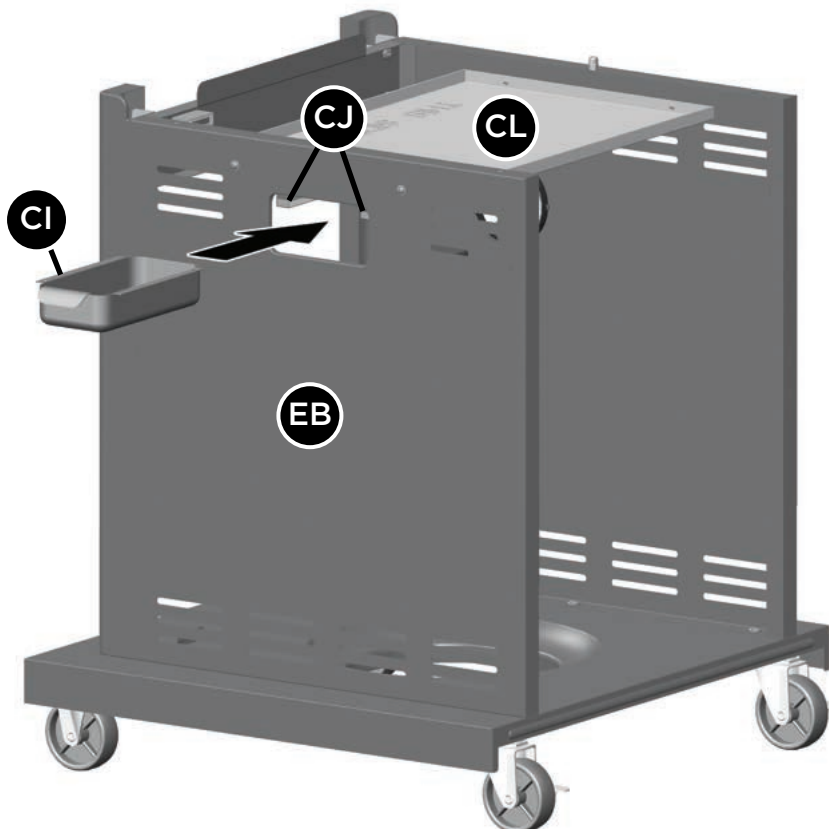
ASSEMBLY INSTRUCTIONS

4

C.



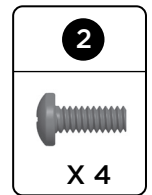
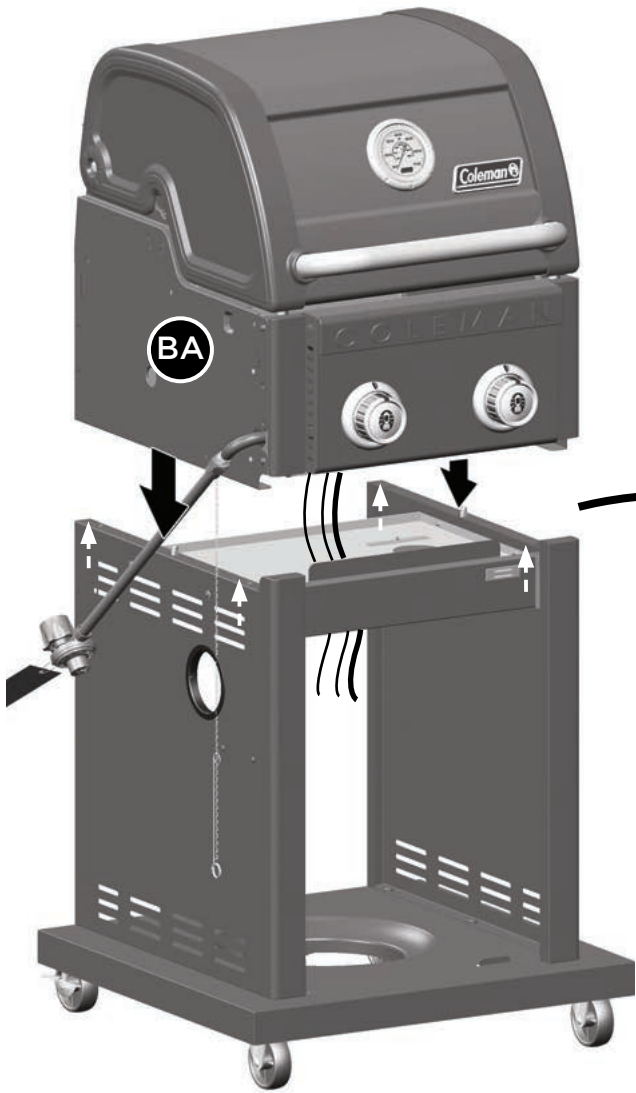
D.



ASSEMBLY INSTRUCTIONS

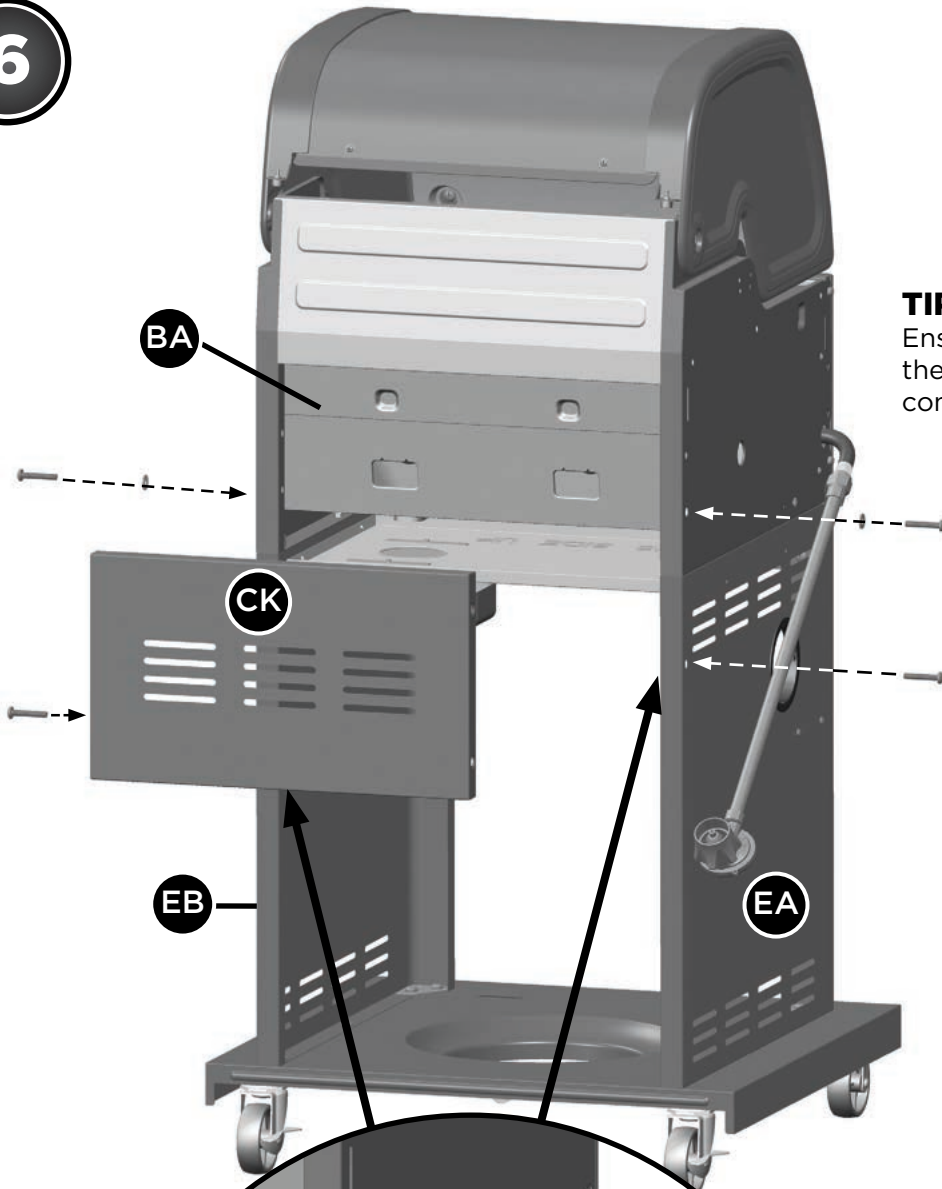
5

**⚠ WARNING:
WATCH YOUR HANDS!**

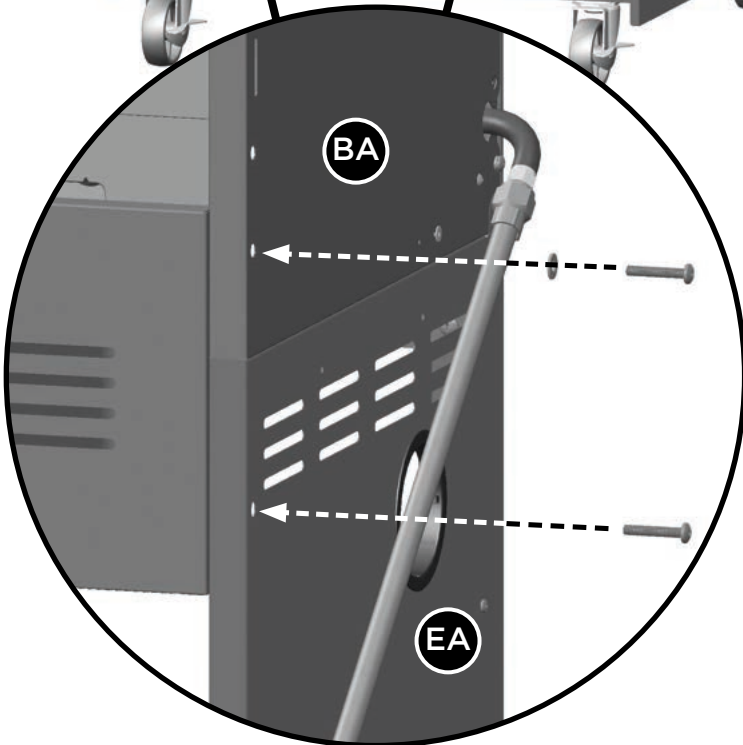




ASSEMBLY INSTRUCTIONS

6



TIP:
Ensure that the rubber side of the rubberized washer makes contact with the burner box.

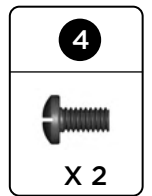
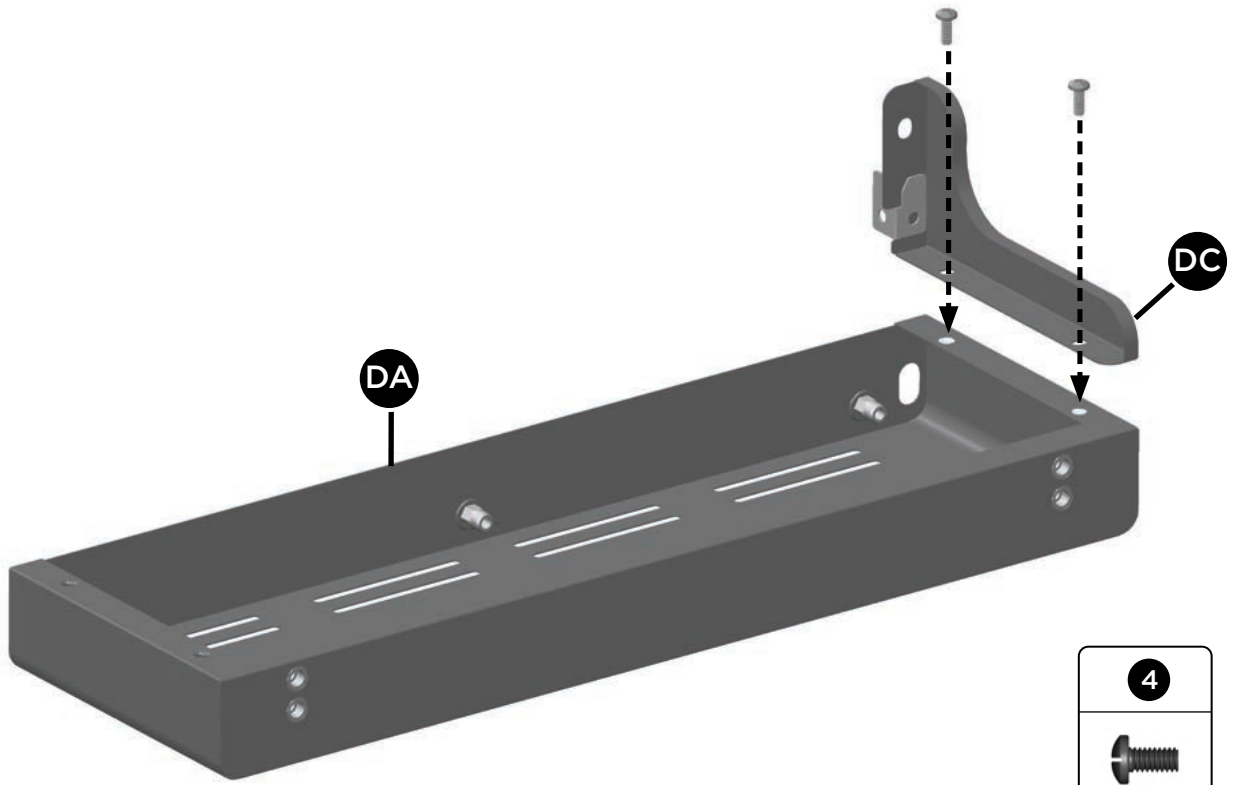


| | |
|---|---|
| 1 | 8 |
|  |  |
| X 4 | X 2 |

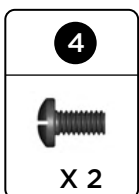
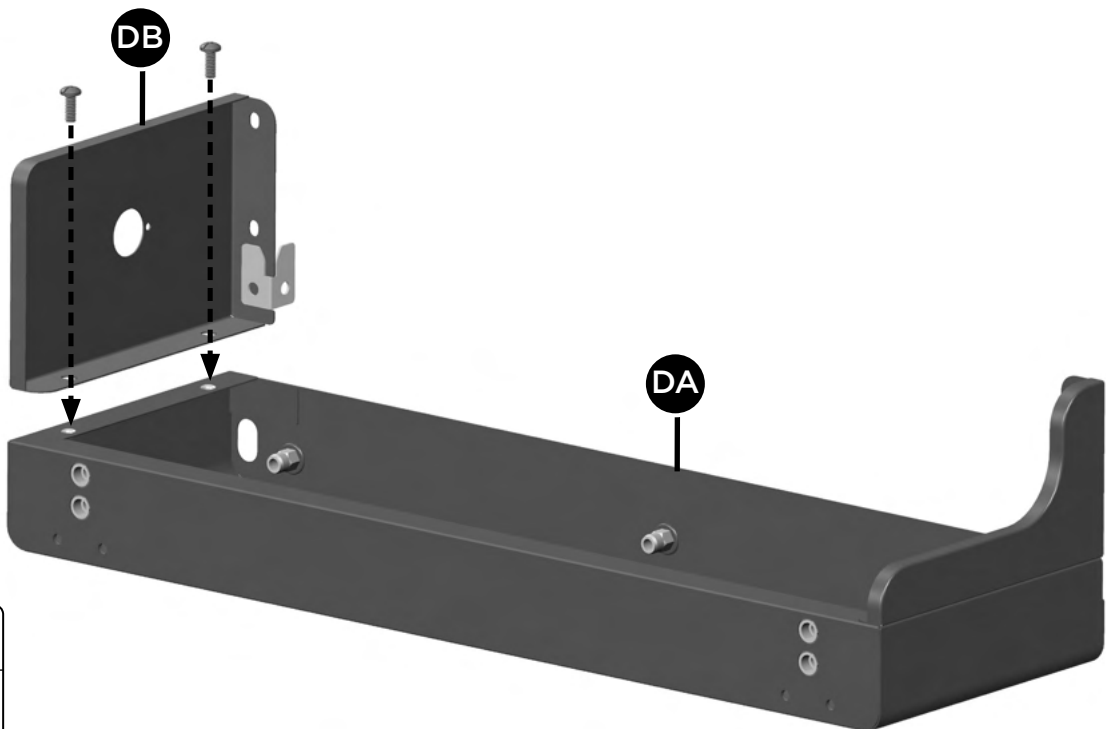
ASSEMBLY INSTRUCTIONS

7

A.



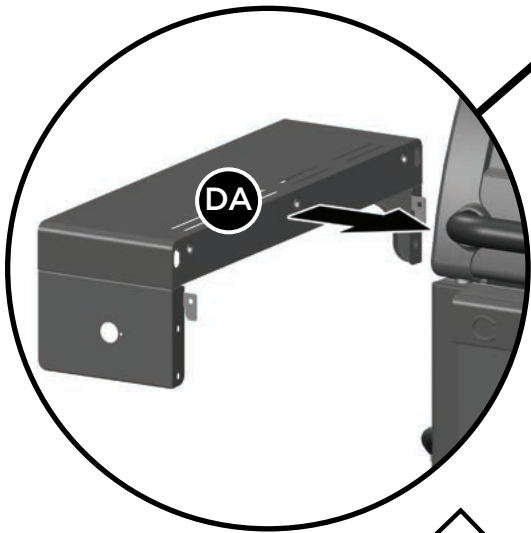
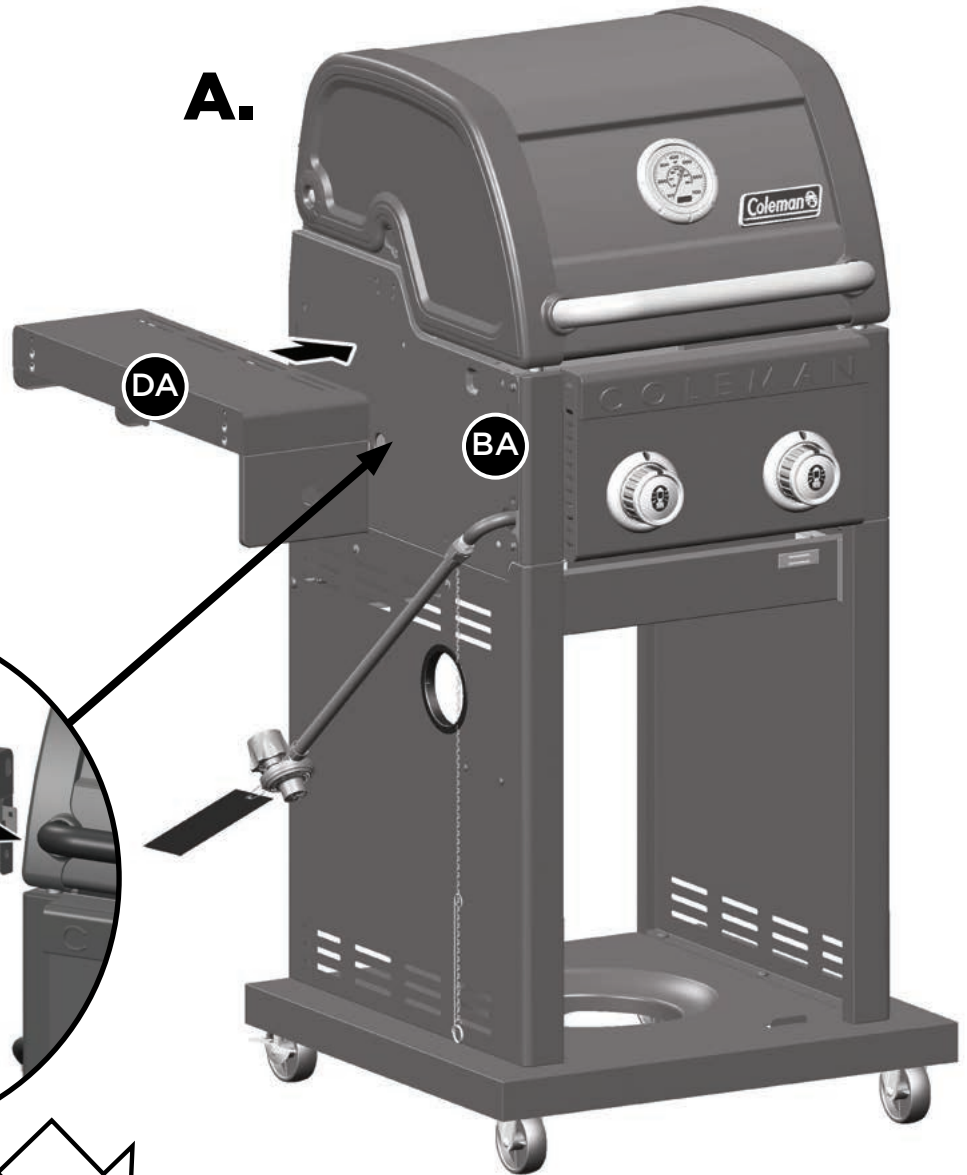
B.



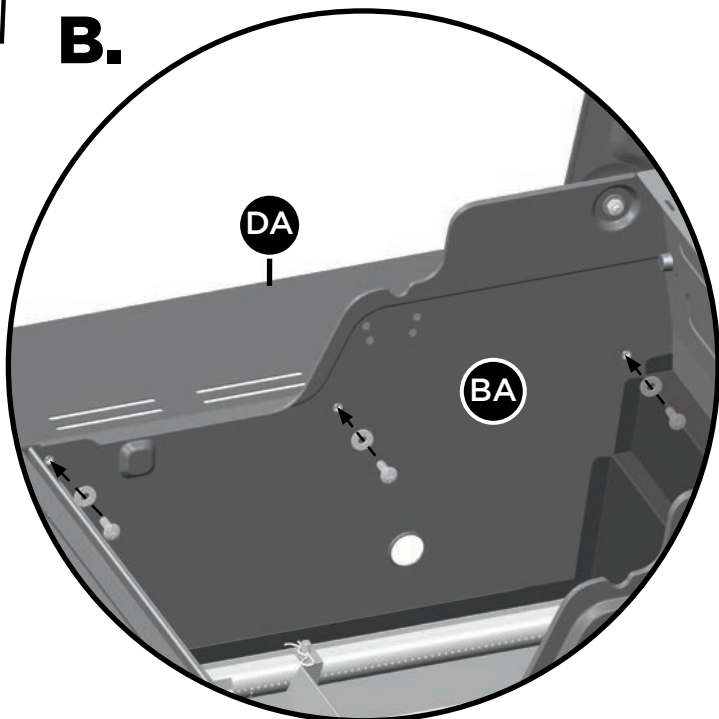
ASSEMBLY INSTRUCTIONS

8

A.

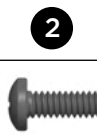
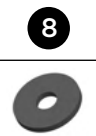


B.



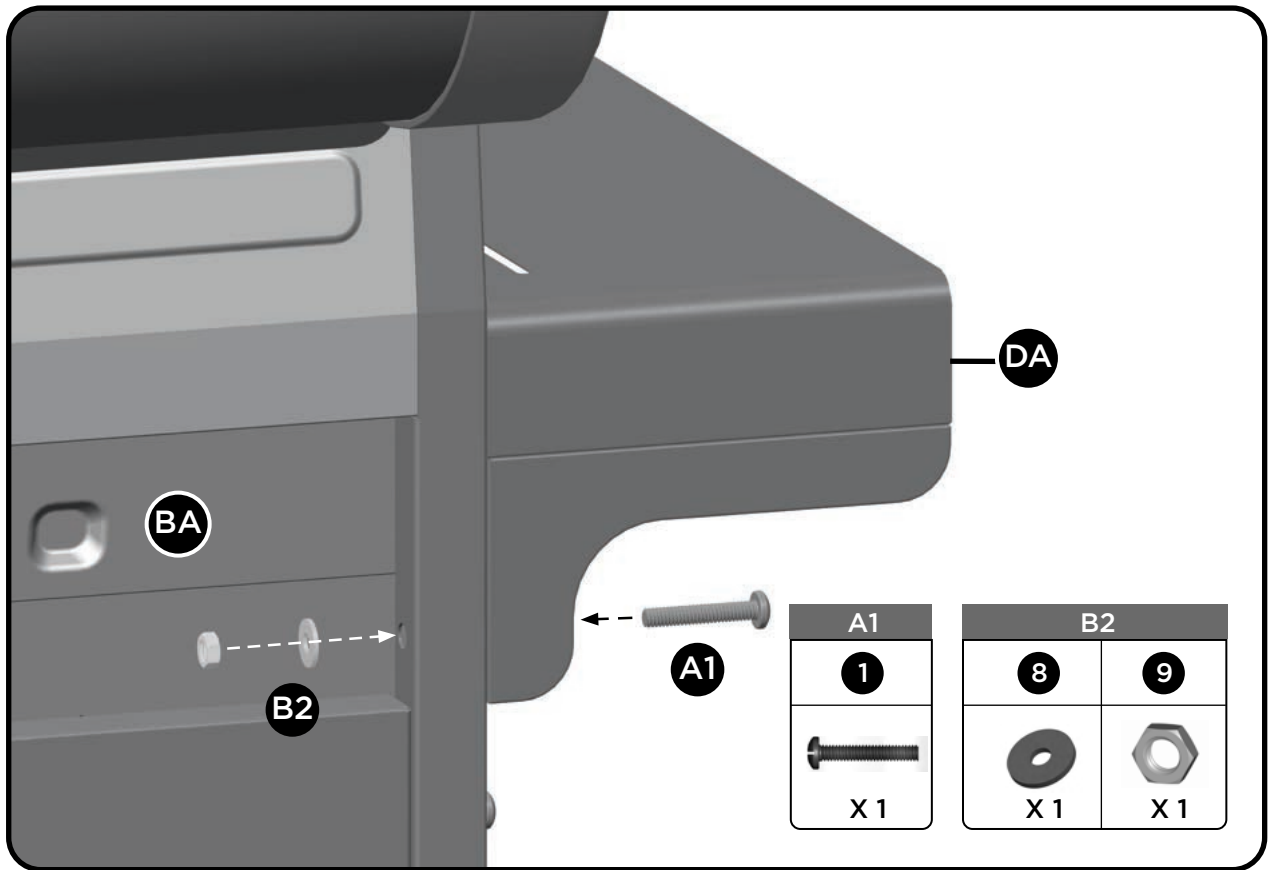
TIP:

Ensure that the rubber side of the rubberized washer makes contact with the burner box.

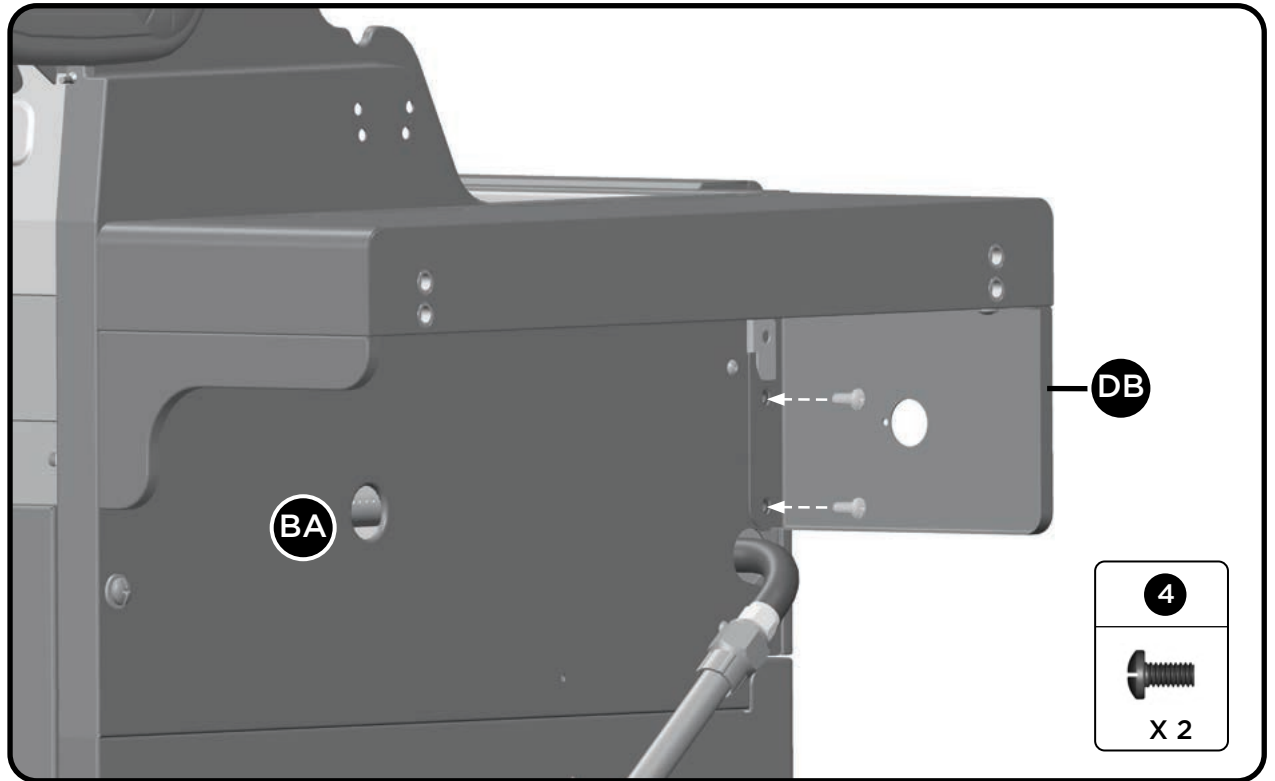
| | |
|---|---|
|  2 X 3 |  8 X 3 |
|---|---|

8

C.



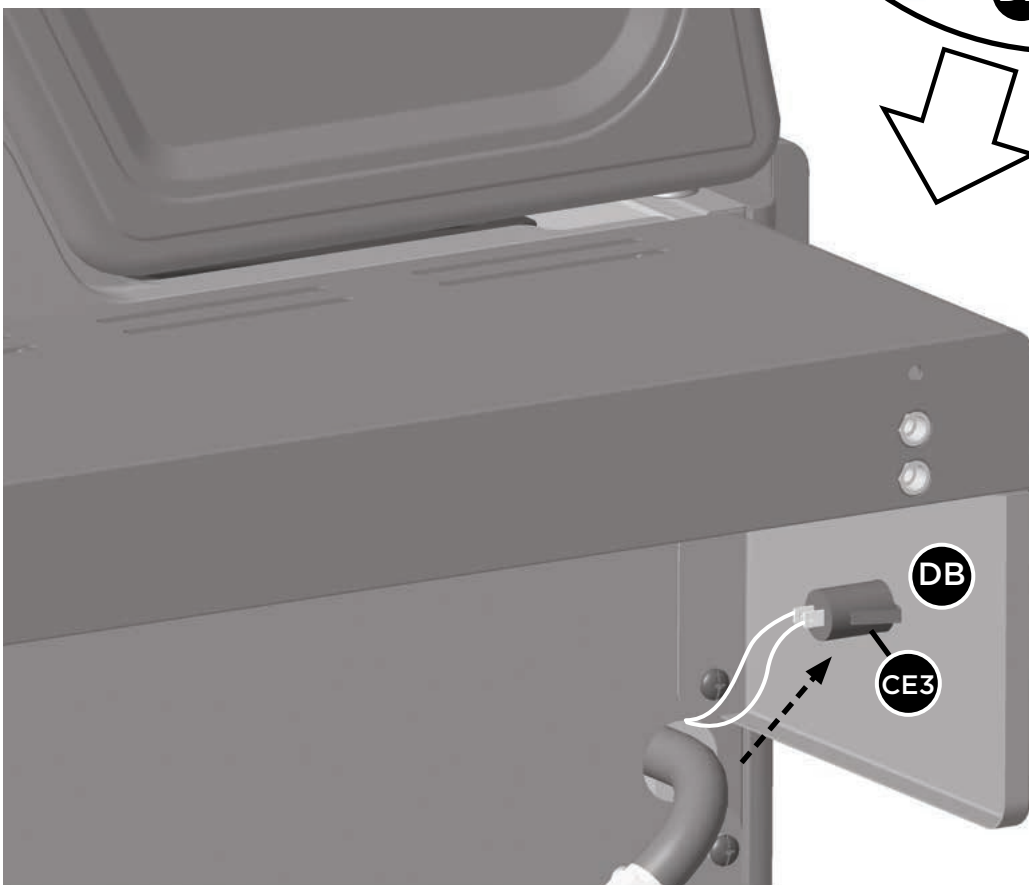
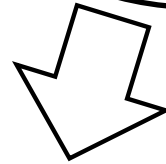
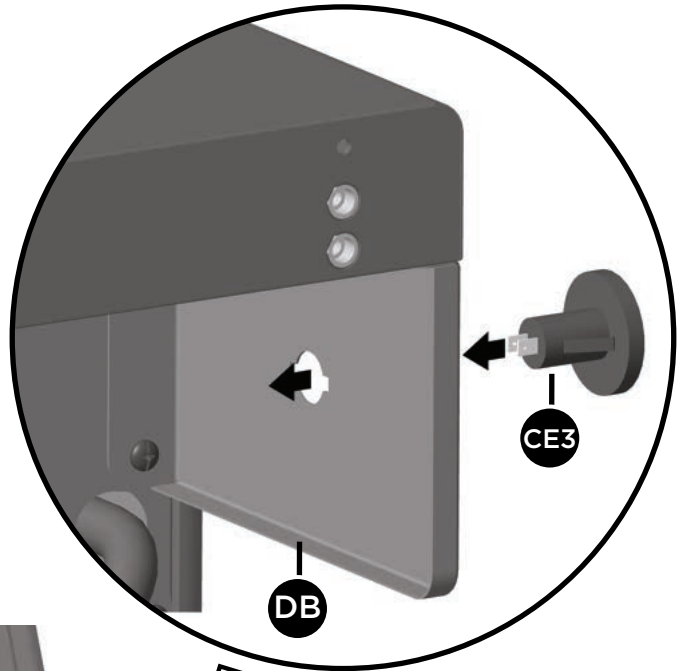
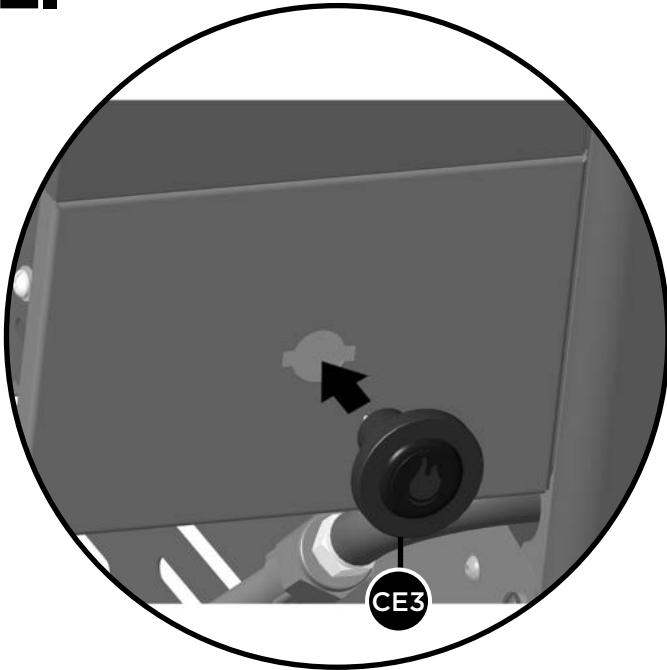
D.



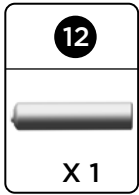
8

E.

Front view



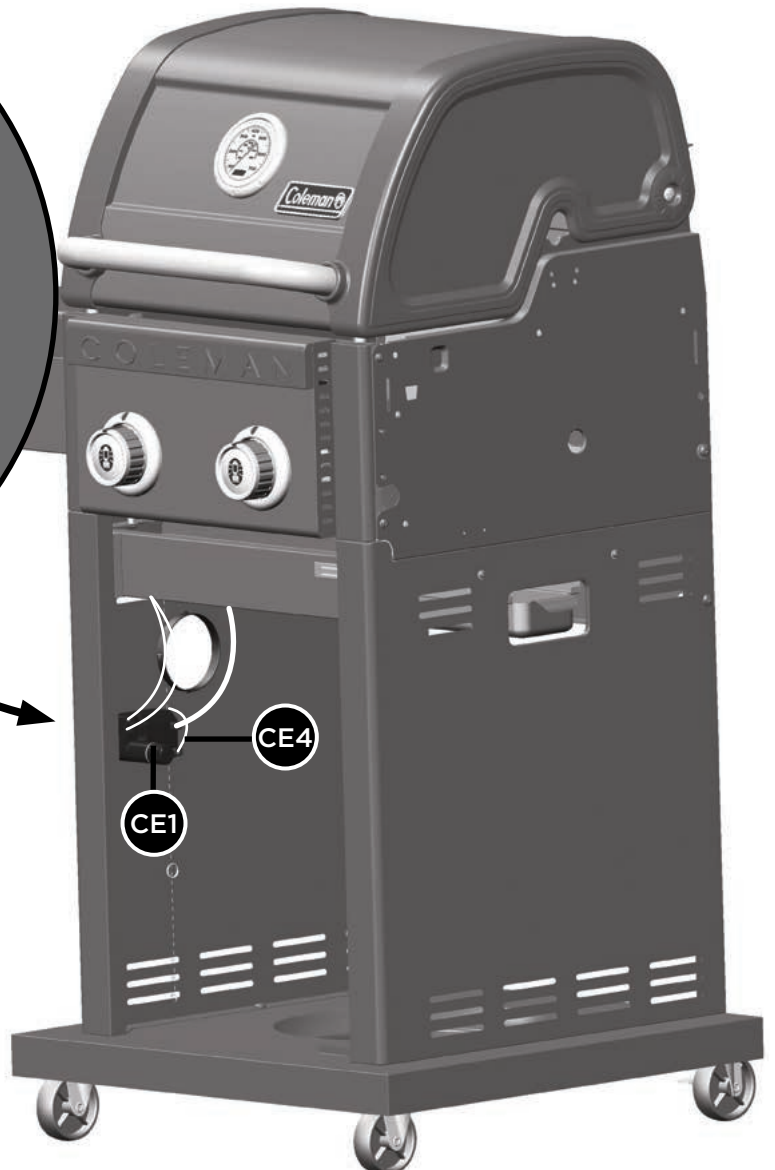
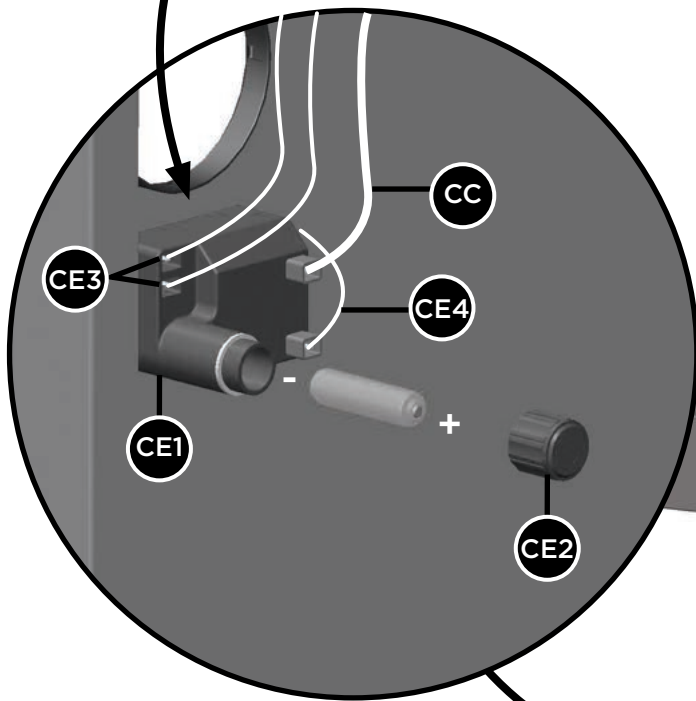
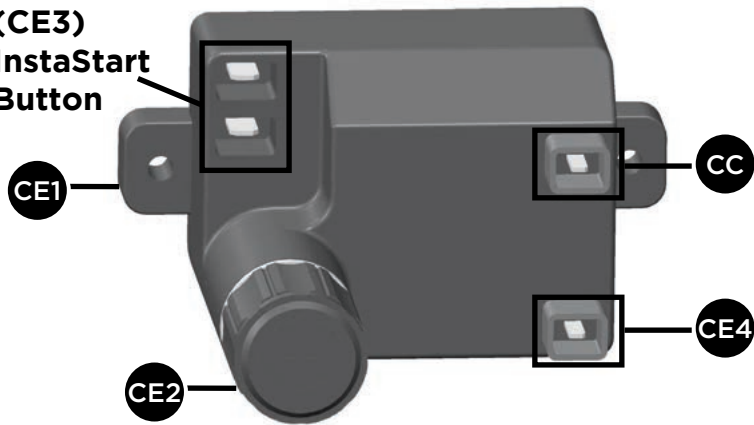
9



Electronic Ignition Wire Assembly

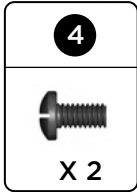
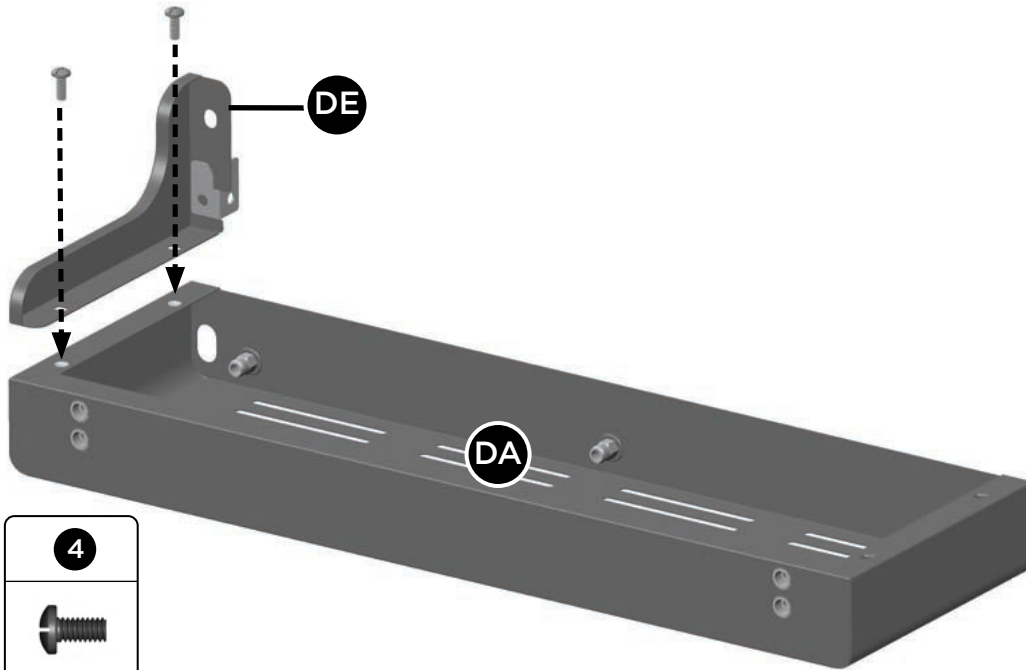
The electrode wires for the main burner electrode set (CC), instastart button (CE3) can be found under the control panel (CG), attached to the manifold (CA). Insert them and the ground wire (CE4) into the electronic ignition (CE1). Insert one "AA" battery into the compartment with the positive end facing outward. Secure using the battery cover (CE2).

(CE3)
InstaStart
Button

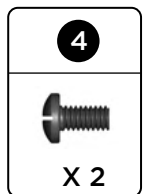
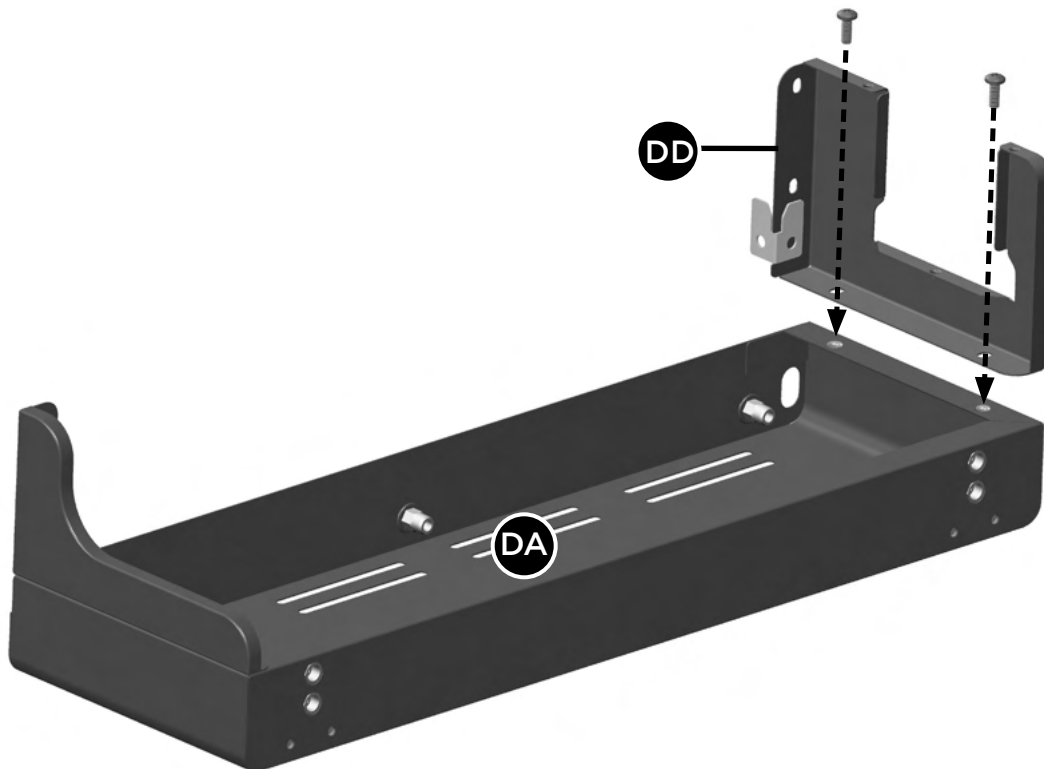


10

A.



B.

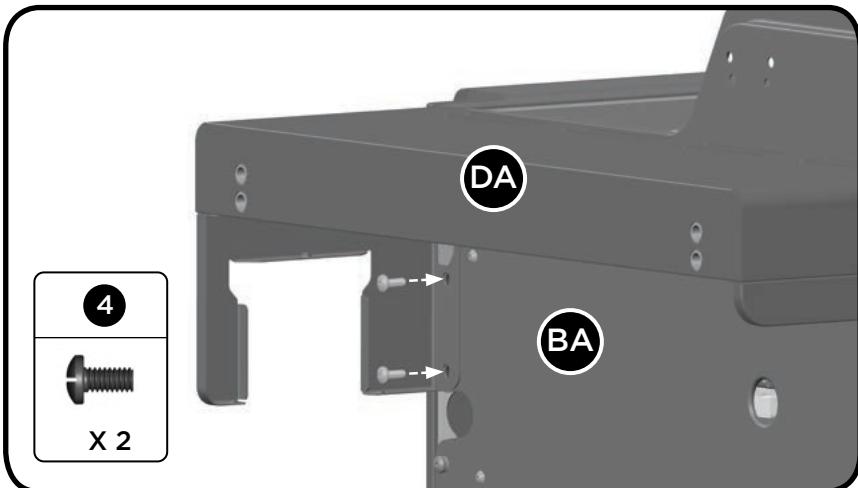
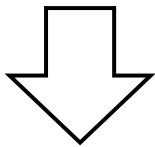
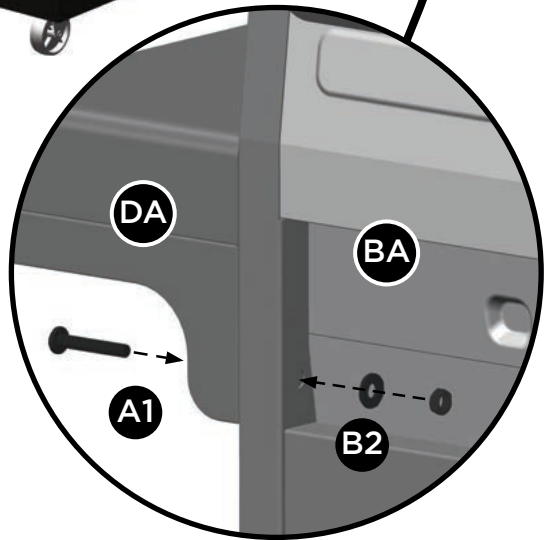
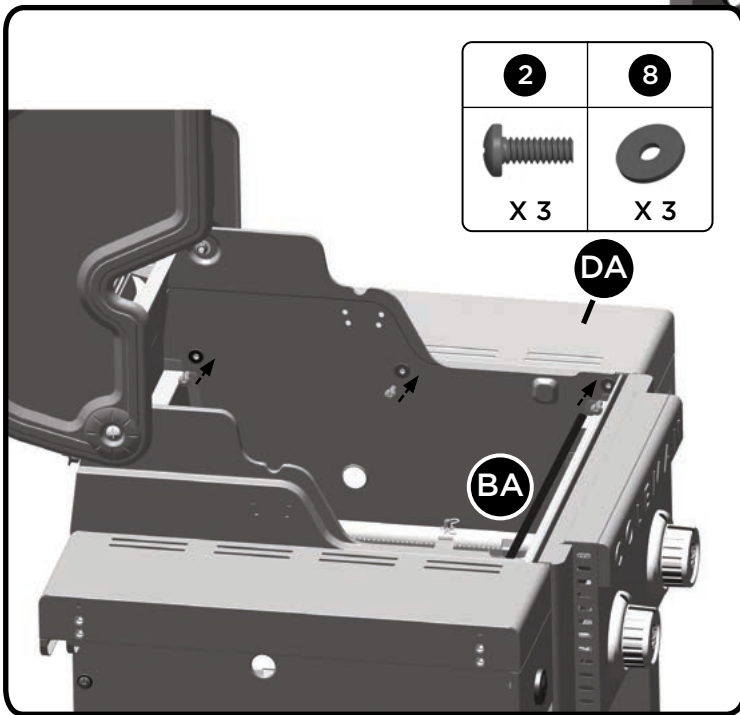
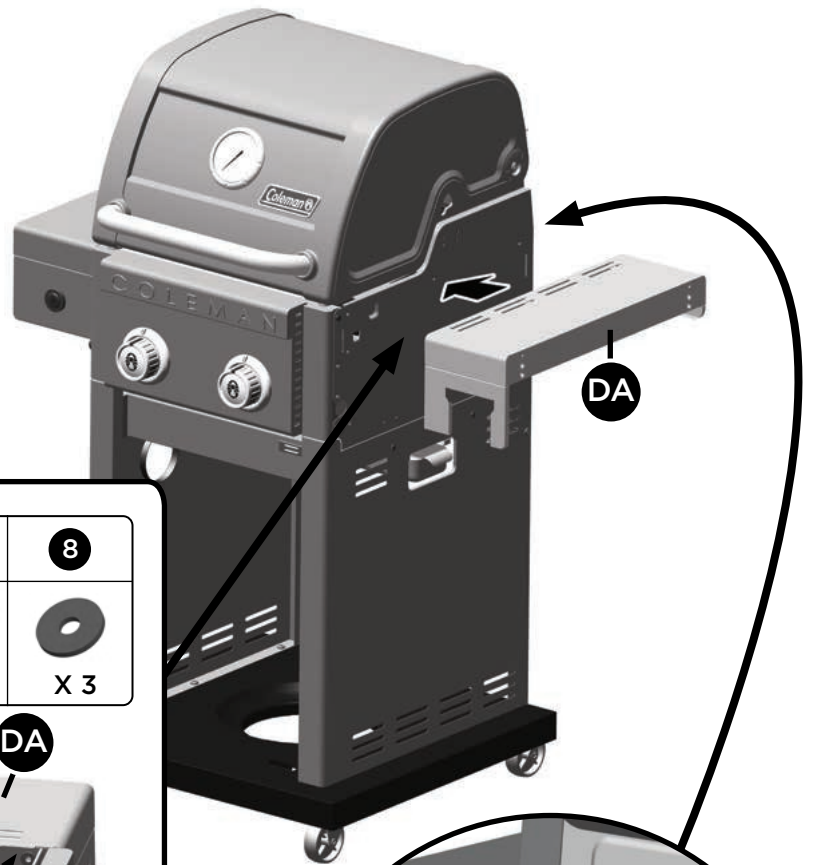


ASSEMBLY INSTRUCTIONS

11

TIP:

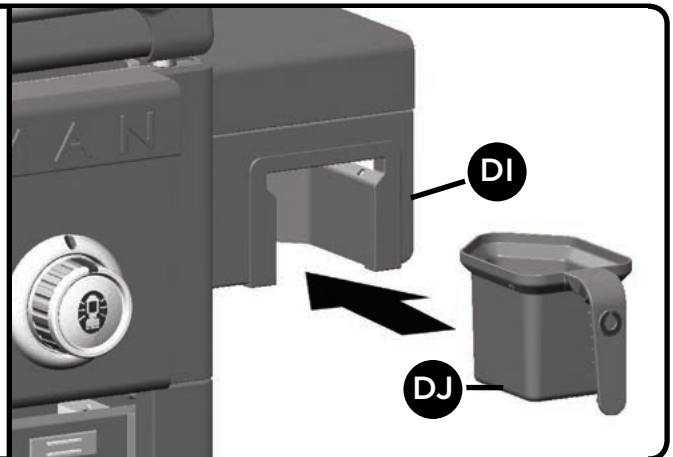
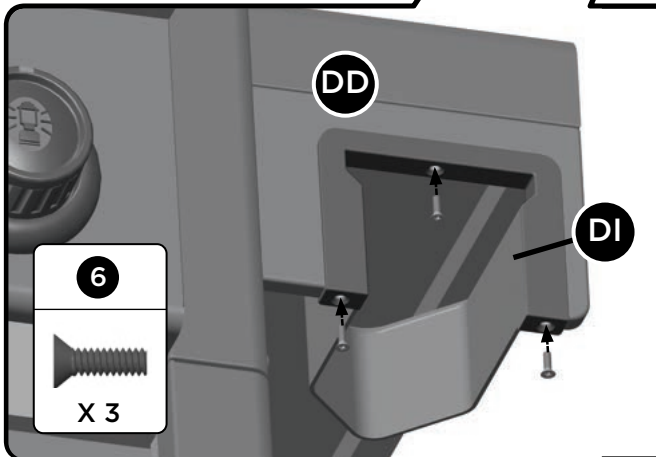
Ensure that the rubber side of the rubberized washer makes contact with the burner box.



| A1 |
|-----|
| 1 |
| |
| X 1 |

| B2 | |
|-----|-----|
| 8 | 9 |
| | |
| X 1 | X 1 |

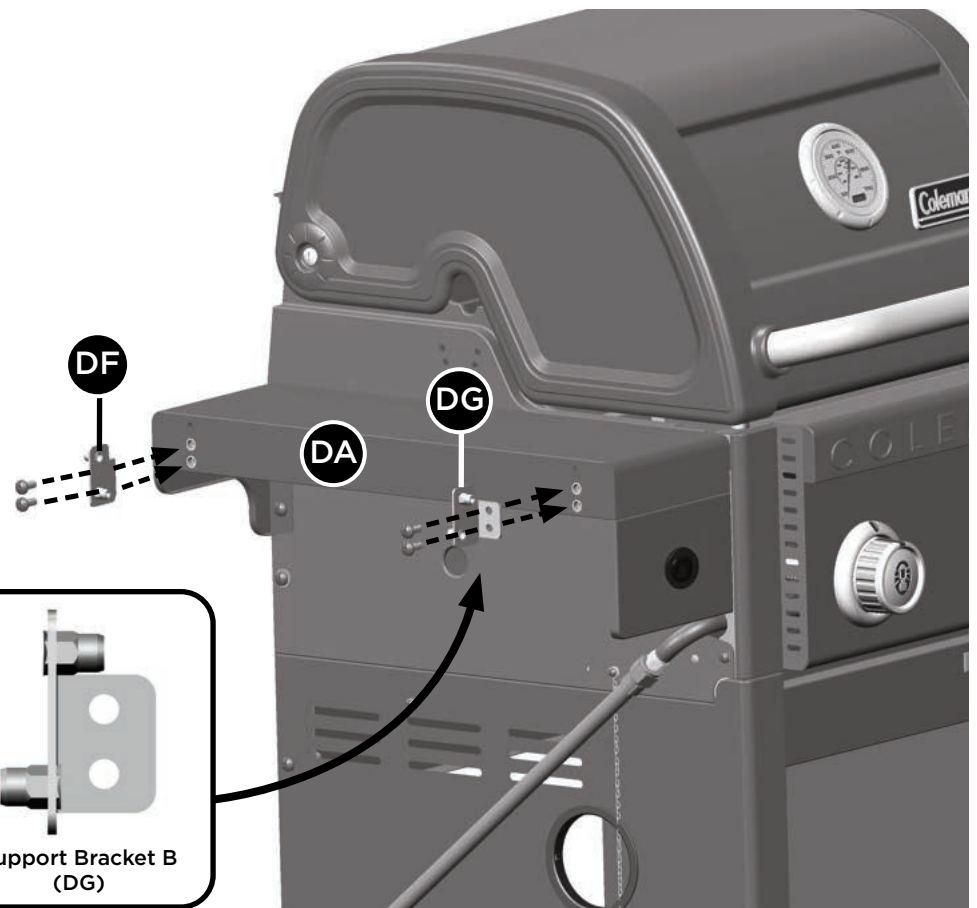
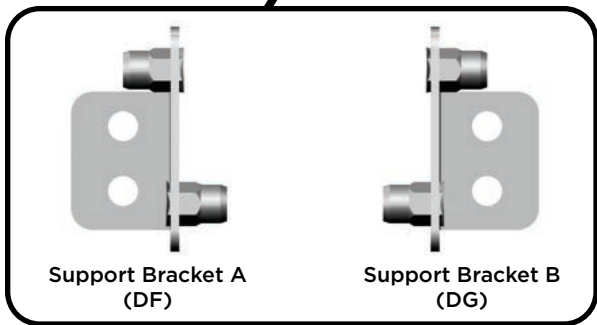
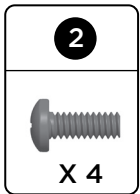
12



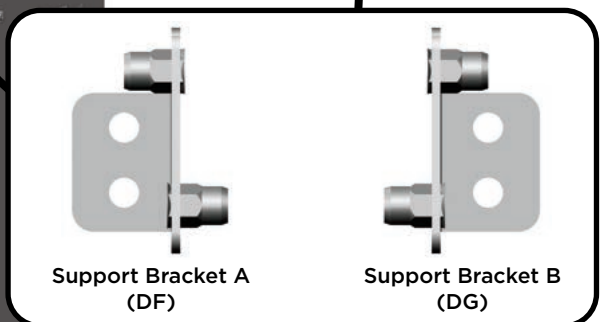
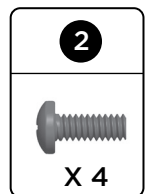
ASSEMBLY INSTRUCTIONS

13

A.

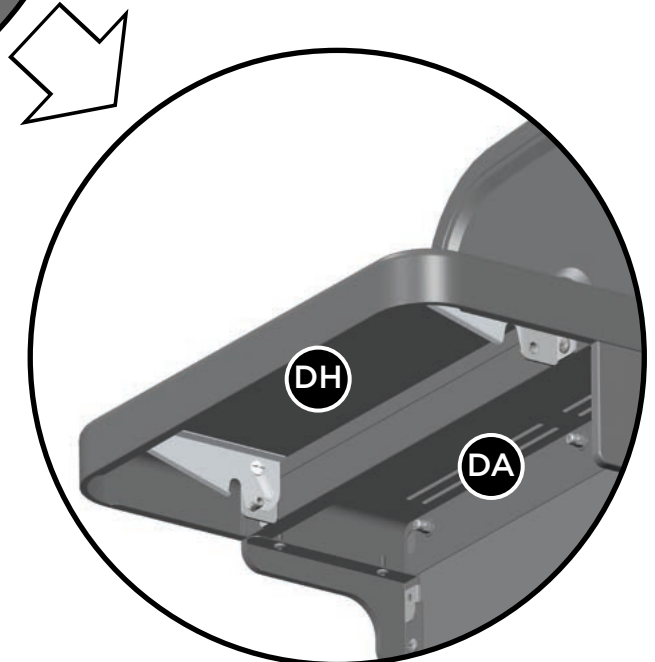
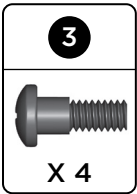
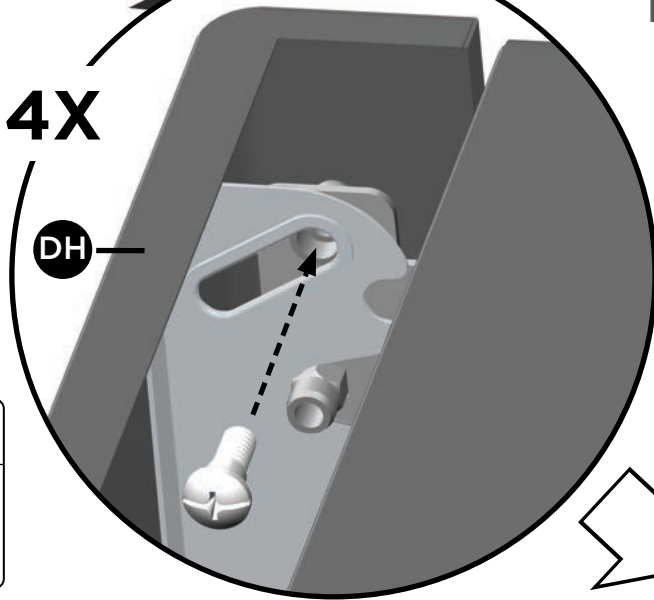
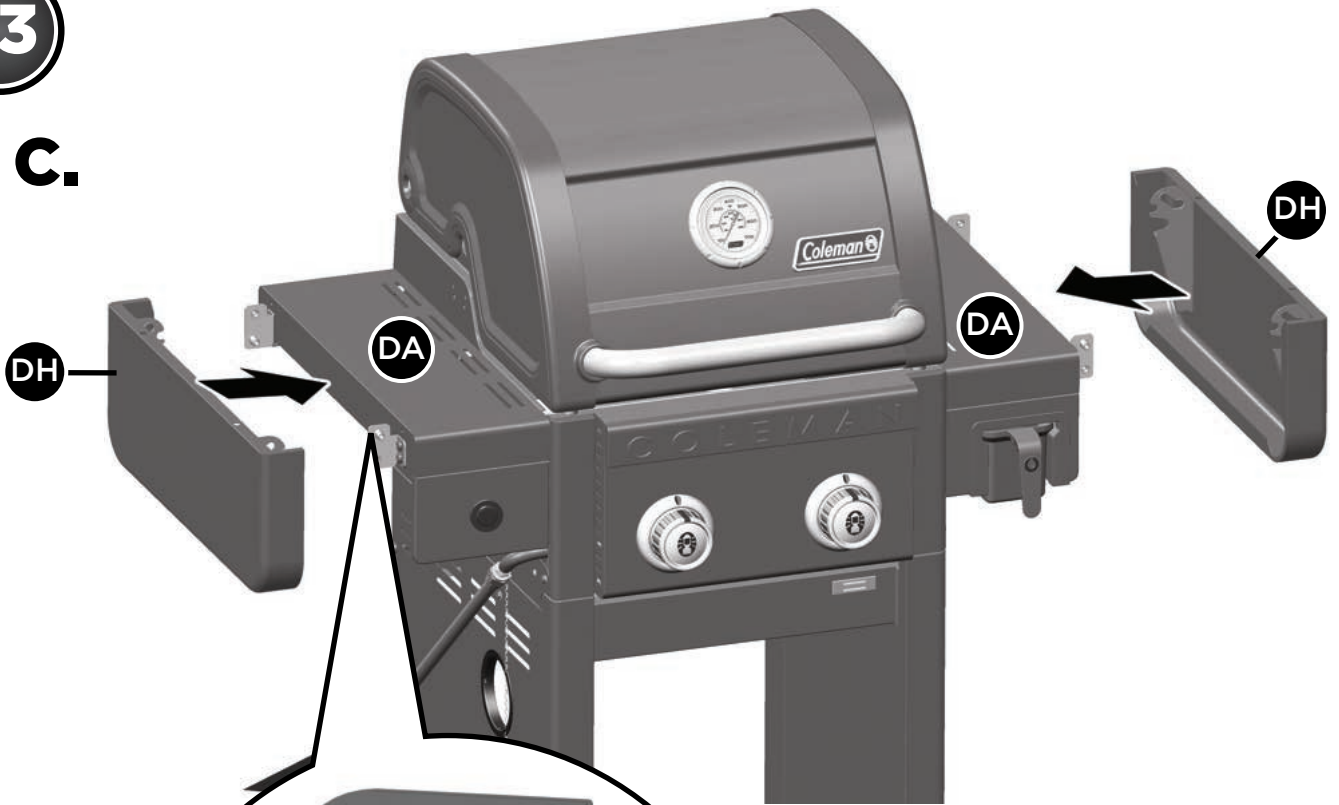


B.

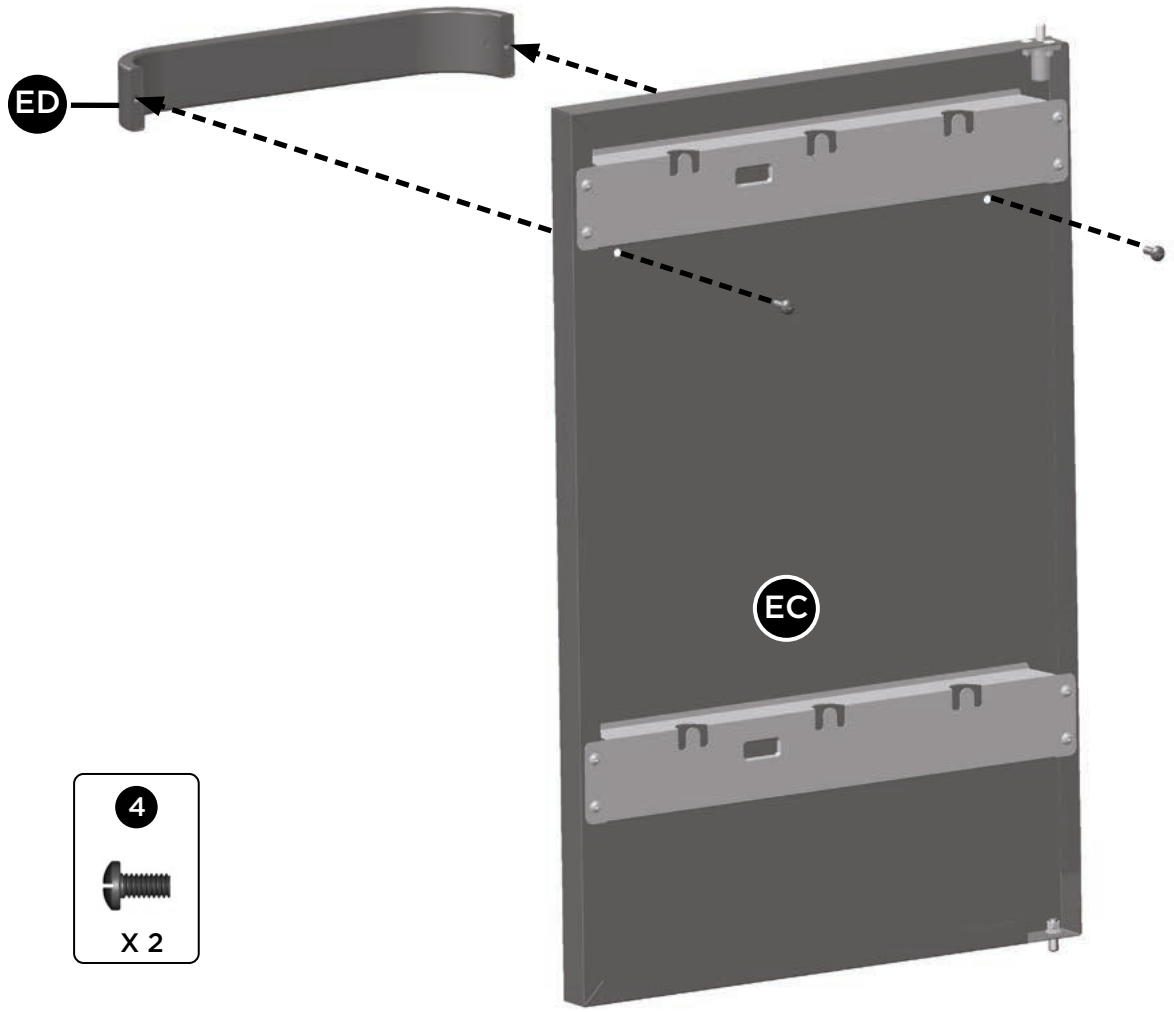


13

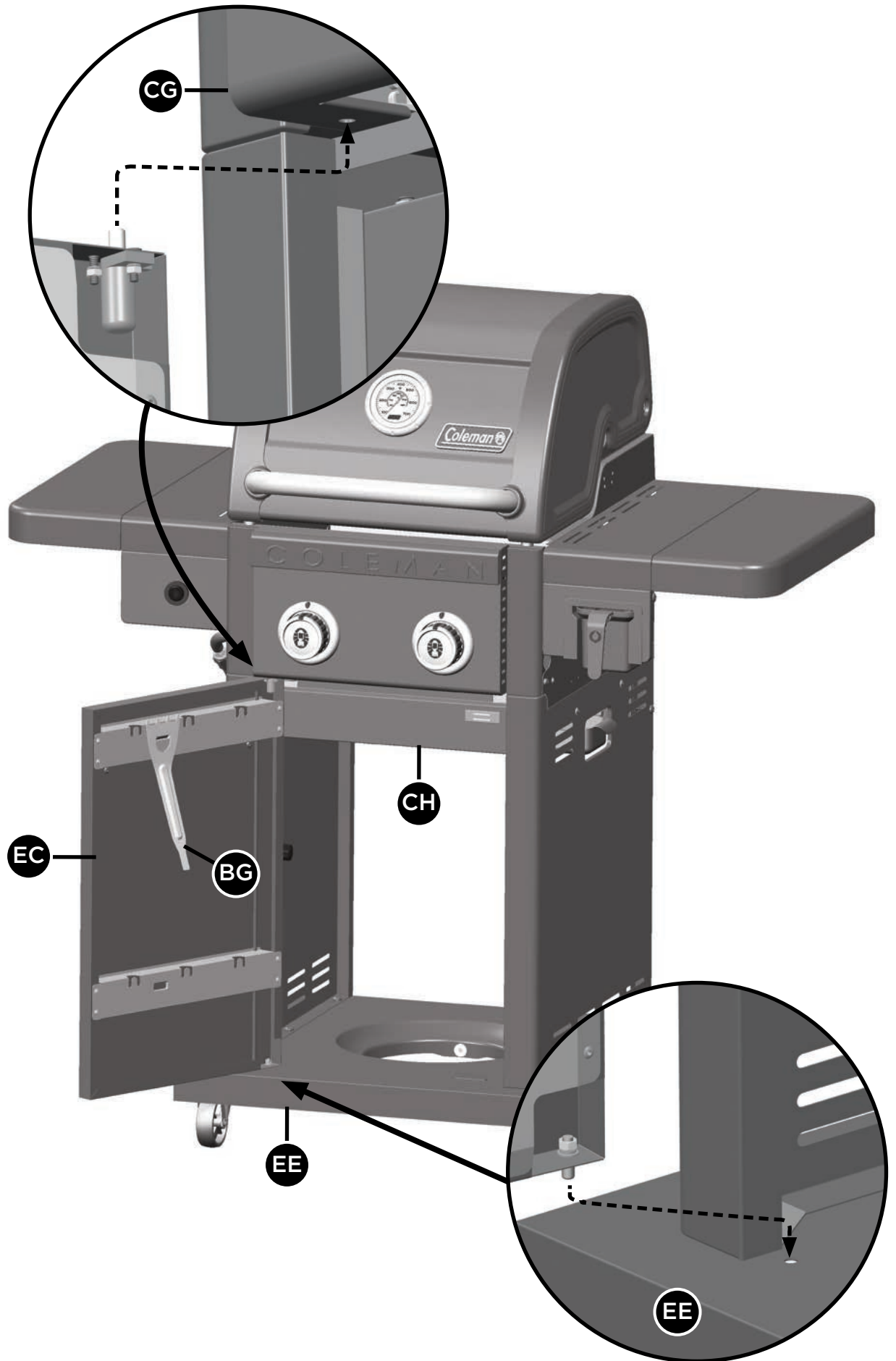
C.



14



15





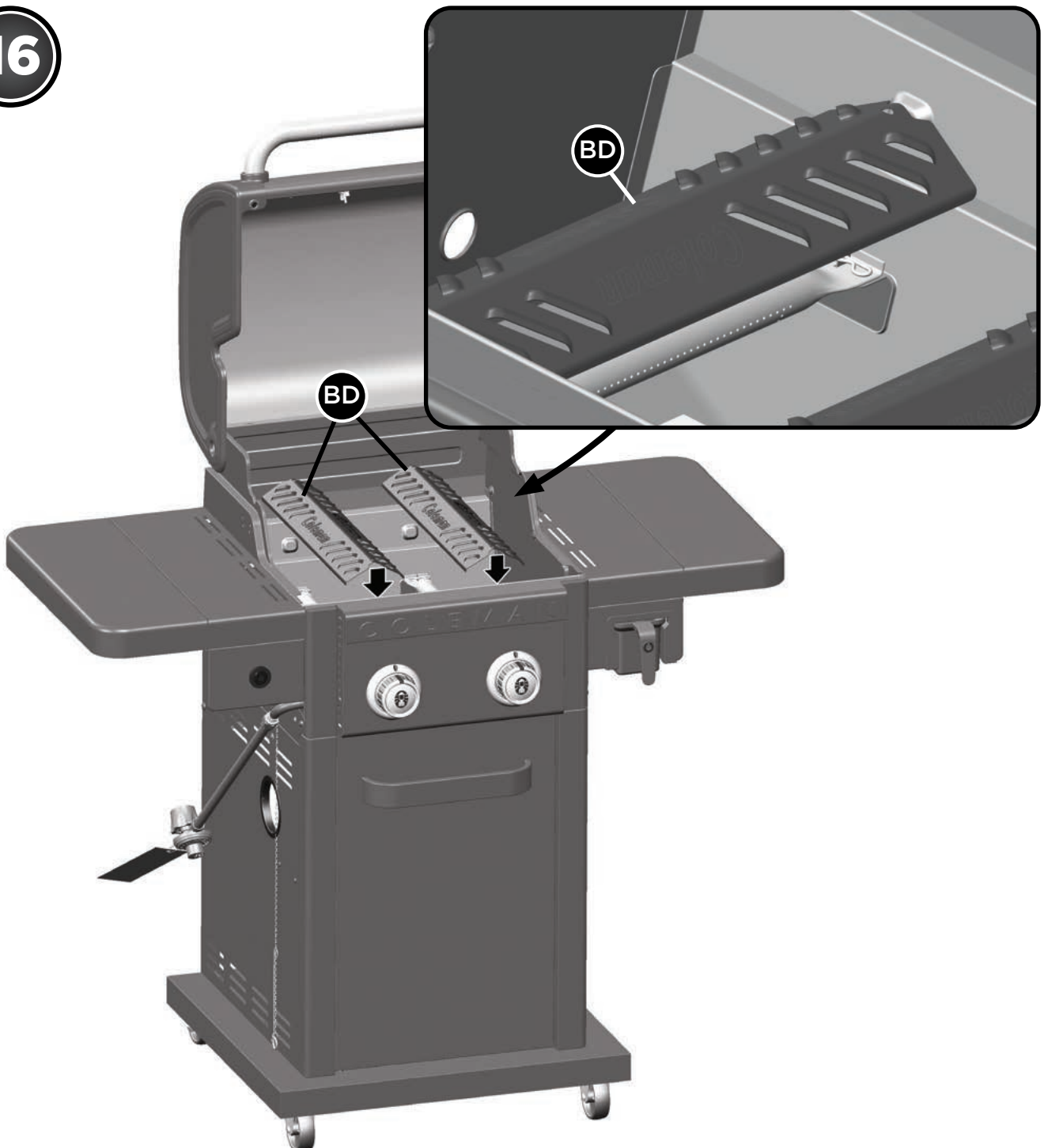
CONVERTIBLE VALVE SYSTEM™

ATTENTION: YOUR MODEL includes the CONVERTIBLE VALVE SYSTEM™. If you would like to convert your barbecue from PROPANE to NATURAL GAS, the following kit is required

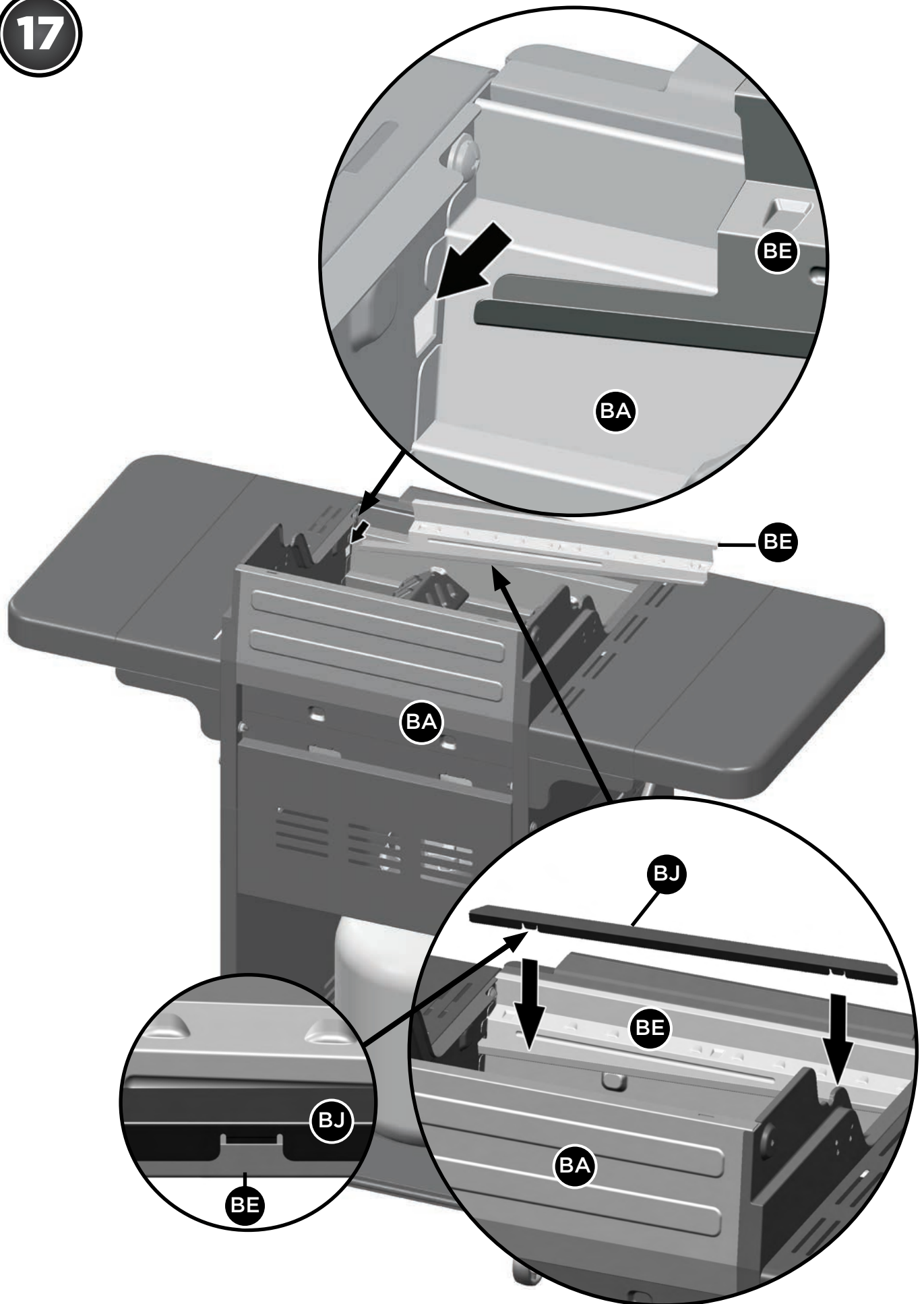
Convertible Valve System™ Natural Gas Conversion Kit - product number: 85-2261-4 (available at Canadian Tire)

Before completing steps 16 to 21, follow the steps outlined in the CONVERTIBLE VALVE SYSTEM™ instruction manual that accompanied the kit.

16



17



ASSEMBLY INSTRUCTIONS

18

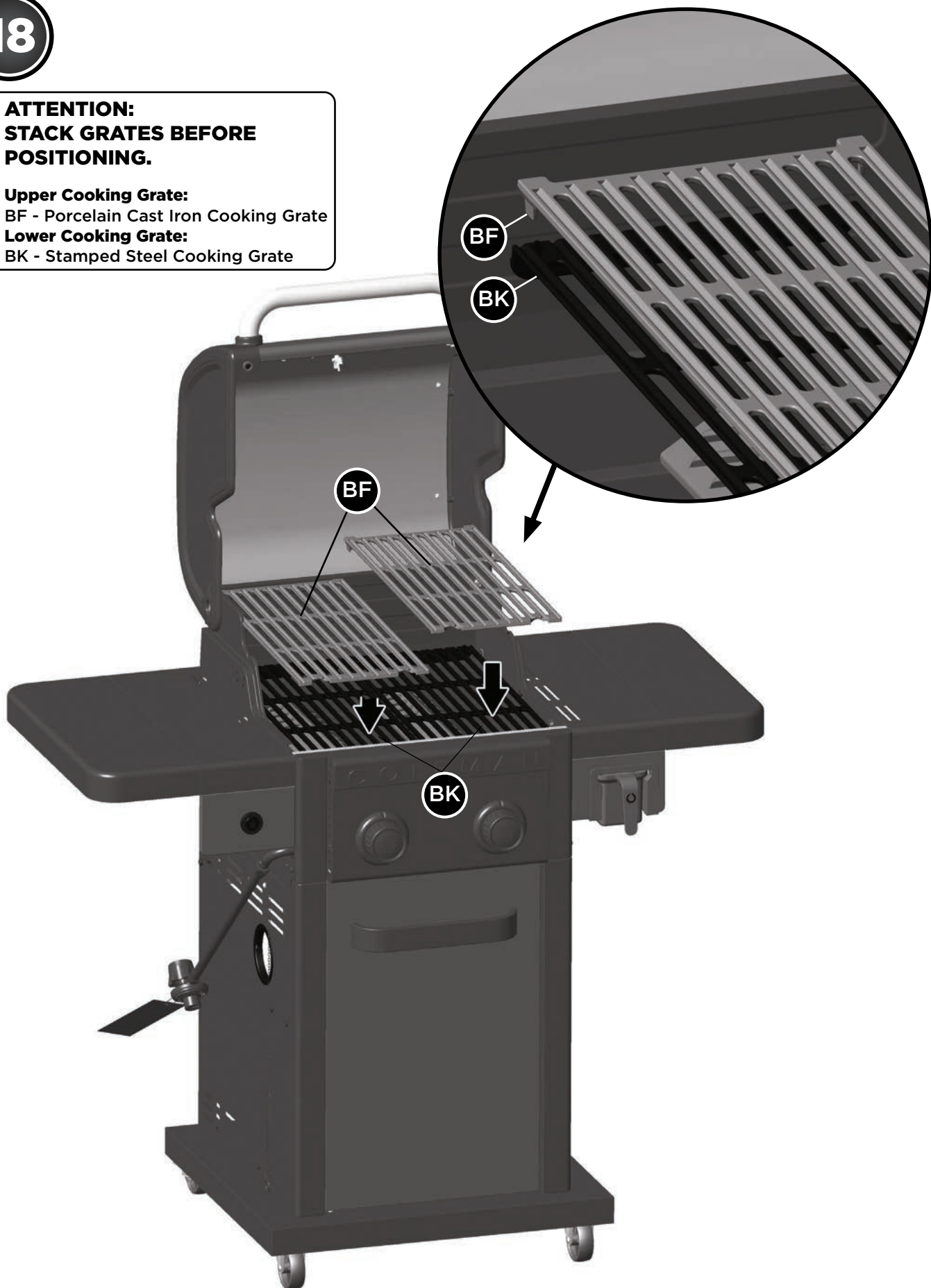
ATTENTION:
STACK GRATES BEFORE
POSITIONING.

Upper Cooking Grate:

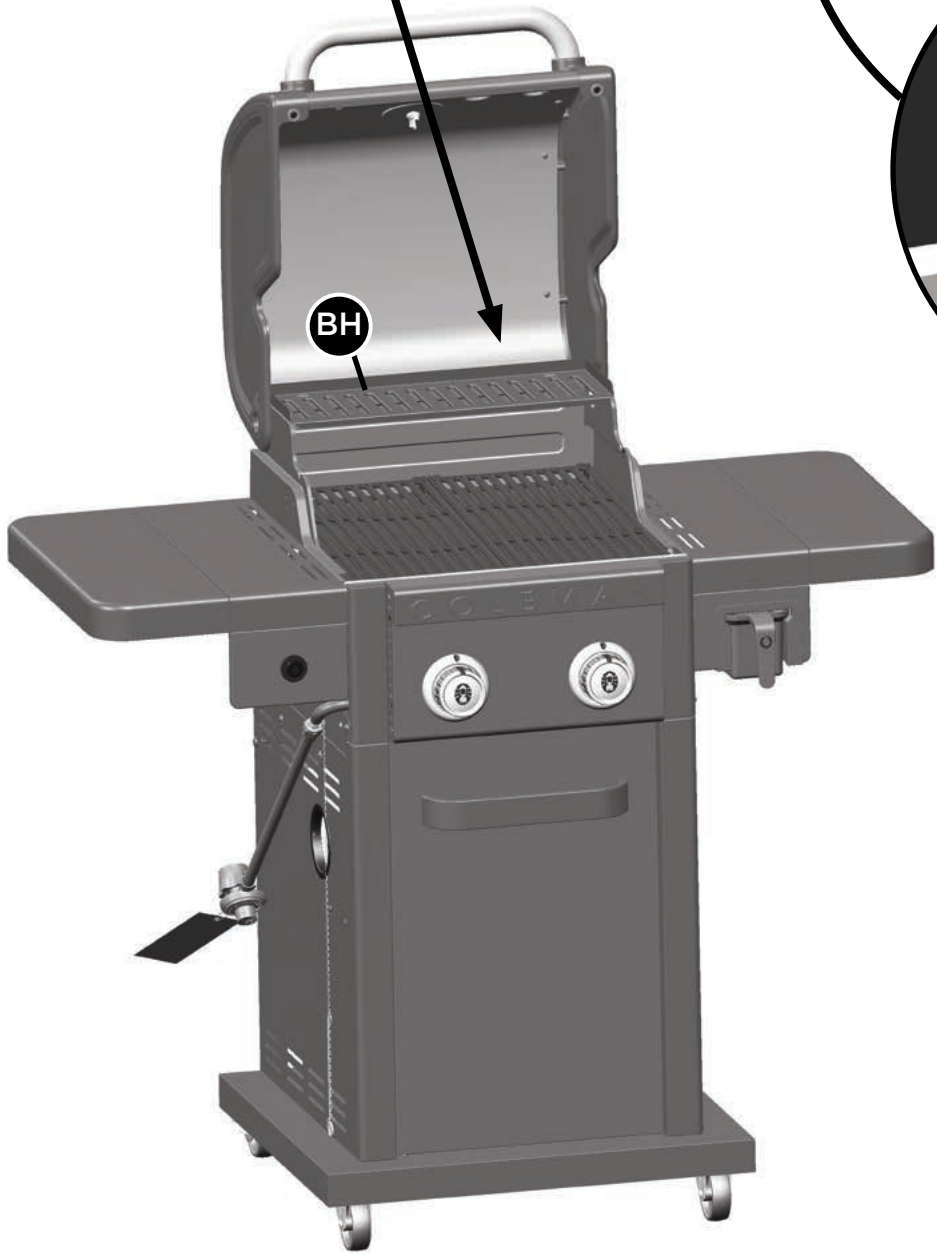
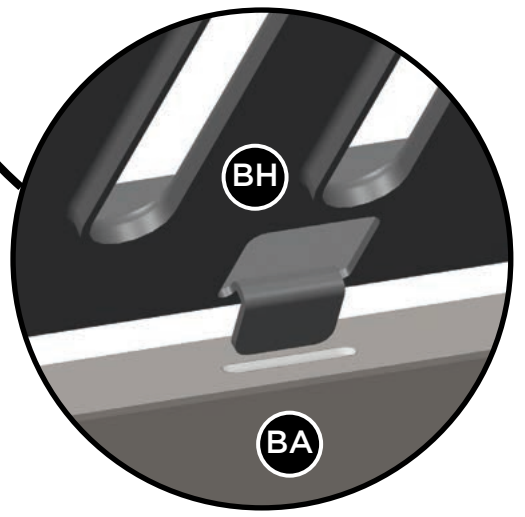
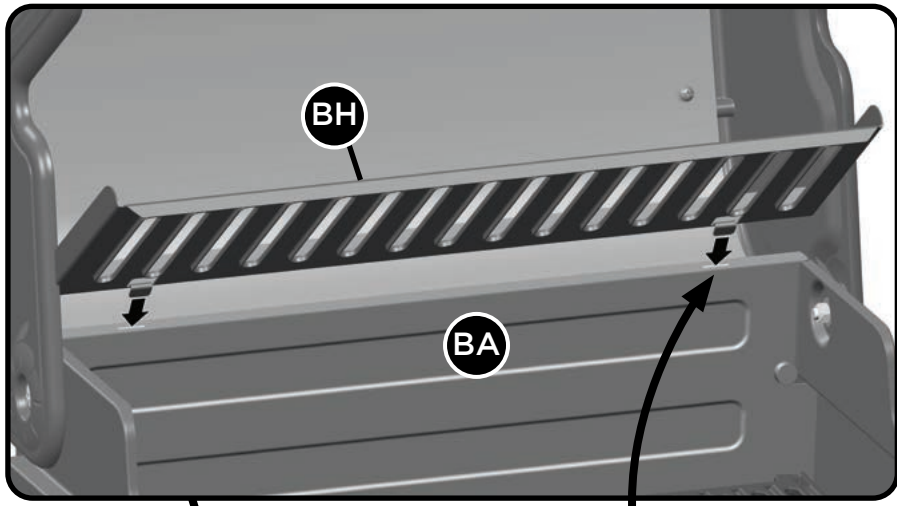
BF - Porcelain Cast Iron Cooking Grate

Lower Cooking Grate:

BK - Stamped Steel Cooking Grate



19



20

**FOR PROPANE MODEL ONLY.
FOR NATURAL GAS MODEL, FOLLOW STEP 21.**



21

HOW TO CONVERT YOUR BARBECUE TO NATURAL GAS

This barbecue was sold PROPANE READY, if you wish to convert your barbecue to Natural Gas you must purchase the Natural Gas Conversion Kit sold at Canadian Tire, product #85-2261-4.



IMPORTANT

Make sure the conversion kit packaging has the following symbol on it:



**CONVERTIBLE
VALVE SYSTEM™**

ADDITIONAL WARNINGS

You have now completed the Assembly of your COLEMAN® REVOLUTION™ BARBECUE.

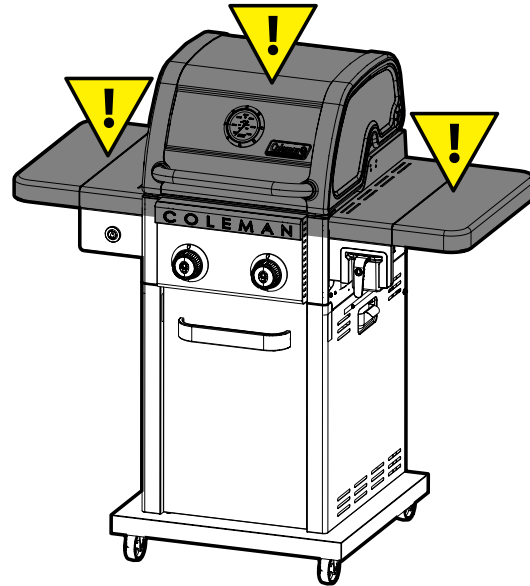
NEXT STEPS:

1. Position your BARBECUE
2. Read SAFE USE & CARE MANUAL
3. Perform Barbecue Safety Check-list

⚠️ WARNING:

FOR YOUR FAMILIES SAFETY, DO NOT ATTEMPT TO LIGHT THIS BARBECUE UNTIL YOU HAVE REVIEWED PAGES 4-7 OF THE COLEMAN® SAFE USE & CARE MANUAL. ALL SAFETY AND LEAK TESTS MUST BE PERFORMED BY THE END USER, PRIOR TO LIGHTING THIS BARBECUE.

⚠️ WARNING HOT SURFACES:



POSITION YOUR BARBECUE

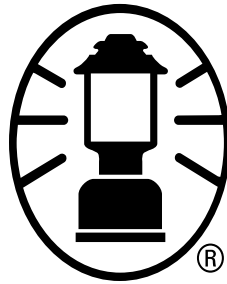
Always confirm that this Barbecue is not positioned under a combustible object (e.g., an awning or umbrella) or in a covered area (e.g., porch or gazebo) before lighting it, to prevent a possible fire.

Always confirm that this Barbecue is not positioned under the overhang of a house, a garage or other structure before lighting it. An overhang will serve to deflect flare-ups and radiate heat into the structure itself, which could result in a fire.

Always confirm that this Barbecue is positioned more than 36" (91.4cm) away from any combustible materials or surfaces before lighting it, and that no gasoline or other volatile substances are stored in the vicinity of this Barbecue. The temperature of a grease fire or of the radiated heat might otherwise be sufficient to ignite nearby combustibles or volatile substances. Do not position near windows, siding, or fencing.

Always locate the Barbecue where there will be ample combustion and ventilation air, but never position it in the direct path of a strong wind.

Level your Barbecue for optimal performance of Flare-Free Technology™.



Join the conversation





facebook.com/colemangrills



twitter.com/colemangrills

Manufactured by Winners Products Engineering Ltd.

©2021 The Coleman Company, Inc.

Coleman®,  and  are registered trademarks of
The Coleman Company, Inc. used under license.