



DURABILITY • POWER • PERFORMANCE

EVEN HEAT™ BARBECUE

SMALL SPACES



ASSEMBLY MANUAL

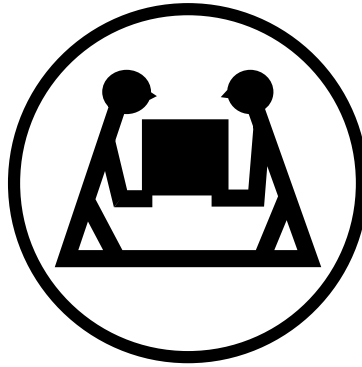
85-3066-4 (G35308) Propane
85-3067-2 (G35309) Natural Gas

LIMITED 5-YEAR WARRANTY

Read and save manual for future reference.

Assemble your grill immediately. Missing or damaged parts should be claimed within 30 days of purchase.

For product inquiries, parts, warranty and troubleshooting support, please call 1-800-275-4617.



HEAVY ARTICLE NEEDS 2 TO LIFT

THIS MANUAL MUST REMAIN WITH THE PRODUCT AT ALL TIMES

To ORDER non-warranty replacement parts or accessories,
or to register your warranty, please visit us on the web at
www.colemanbbqs.com

⚠ CAUTION

Sharp edges. Wear gloves when assembling your grill.

⚠ CAUTION

Read and follow all safety statements, assembly instructions, use and care directions before attempting to assemble and cook.

⚠ INSTALLER OR ASSEMBLER/ CONSUMER

This manual should be kept with the BBQ at all times.

⚠ WARNING

Failure to follow all of the Manufacturer's instructions could result in hazardous fires, explosions, property damage, or serious personal injury or even death.

Follow all leak check procedures carefully prior to operation of barbecue, even if grill was dealer assembled. Do not try to light this barbecue without reading the Lighting Instructions section of this manual.

⚠ DANGER

1. If you smell Gas:
 - a. Shut off gas to the appliance
 - b. Extinguish any open flame
 - c. Open lid
 - d. If odor continues, keep away from the appliance and immediately call your gas supplier or your fire department
 2. Requires two people to complete the assembly process.
 3. Beware of sharp edges.
-

⚠ WARNING

1. Do not store or use gasoline or other flammable liquids or vapours in the vicinity of this or any other appliance.
 2. An LP cylinder not connected for use shall not be stored in the vicinity of this or any other appliance.
-

⚠ WARNING

IN DIRECT SUN, AND IN OPERATION, YOUR BBQ'S STAINLESS STEEL AND PAINTED STEEL PARTS CAN BECOME VERY HOT.

THIS BARBECUE IS FOR OUTDOOR USE ONLY

CONTACT CALL CENTRE IF ANY PARTS ARE MISSING

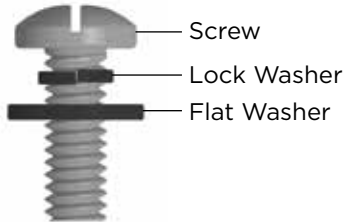
1-800-275-4617

HARDWARE PACK

TOOLS NEEDED FOR ASSEMBLY

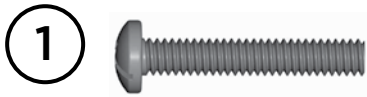
- #2 Phillips screwdriver (long and short)
- ¼" Slotted screwdriver (long and short)
- Adjustable wrench
- Pliers

For correct hardware assembly, always position the lock washer between the screw and the flat washer.

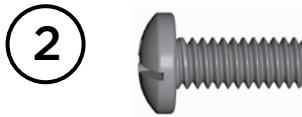


No.	Description	Part Number	Qty.
1	¼"-20UNCx38 Screw	20120-13038-250	8
2	¼"-20UNCx16 Screw	20120-13016-250	14
3	φ7 Lock Washer	41400-07000-250	22
4	φ7 Washer	40300-07000-250	22
5	1/4"-20UNC Nut	30220-13000-250	8
6	NO.10-24UNCx13 Screw	20124-10013-250	6
7	φ5 Lock Washer	41400-05000-250	6
8	φ5 Washer	40300-05000-250	6
9	ST4.2x10 Tapping Screw	22500-42010-137	4
10	1/4"-20UNC Screw	G353-0014-9000	4
11	U Pin Tool	G350-0026-9000	1
12	Rubberized Washer	G501-0054-9100	8

⚠ Caution: Sheet metal can cause injury. Wear gloves when installing the grill.



1/4"-20UNCx38 Screw
X 8



1/4"-20UNCx16 Screw
X 14



φ7 Lock Washer
X 22



φ7 Washer
X 22



1/4"-20UNC Nut
X 8



NO.10-24UNCx13 Screw
X 6



φ5 Lock Washer
X 6



φ5 Washer
X 6



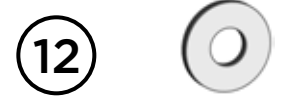
ST4.2x10 Tapping Screw
X 4



1/4"-20UNC Screw
X 4



U Pin
X 1



Rubberized Washer
X 8

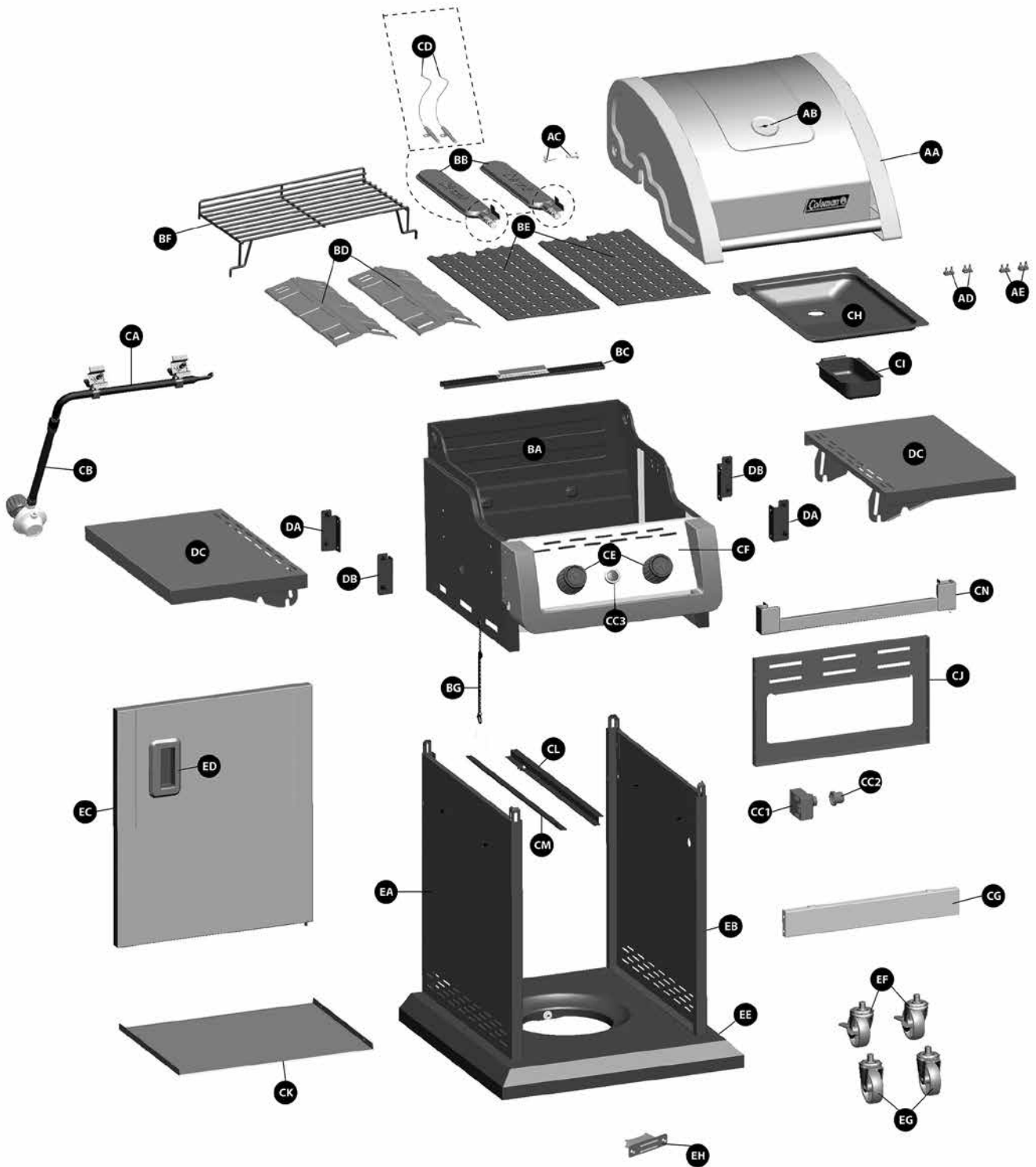
BEFORE ASSEMBLING THE BARBECUE, READ THESE INSTRUCTIONS CAREFULLY.

Assemble the barbecue on a flat, clean surface. Grill is heavy. You should have at least two people assemble the barbecue together.

PARTS LIST (PROPANE) FOR 85-3066-4 (G35308)

Item No.	Qty.	Description	Part No.	Item No.	Qty.	Description	Part No.
AA	1	Top lid assembly	G353-6700-01	DA	2	Support bracket A, side shelf	G353-1400-01
AB	1	Thermometer	G522-0062-01	DB	2	Support bracket B, side shelf	G353-1500-01
AC	2	Screw for top lid	G466-0007-01	DC	2	Side shelf	G353-6200-01
AD	2	Lid bumper, front	G522-0088-01				
AE	2	Lid bumper, rear	G501-0066-01	EA	1	Left side panel	G353-2900-01
				EB	1	Right side panel	G353-4200-01
BA	1	Burner box assembly	G353-5600-01	EC	1	Door assembly	G353-4500-01
BB	2	Even Heat™ burners	G522-B600-01	ED	1	Door handle	G353-0024-01
BC	1	Carryover assembly	G353-0005-01	EE	1	Bottom shelf-LP	G353-1300-01
BD	2	Even Heat™ heat distribution plate	G353-0034-01	EF	2	Locking castor	G350-0023-01
BE	2	Cooking grate	G522-0097-01	EG	2	Castor	G350-0024-01
BF	1	Warming rack	G353-0027-01	EH	1	Door magnet assembly	G501-00F2-02
BG	1	Match holder	G608-0019-01				
				F1	1	Hardware pack	G353-B001-02
CA	1	Manifold assembly-LP	G353-5900-01	F2	1	Assembly manual	G353-M008-01
CB	1	Regulator	G513-0017-01	F3	1	Safe use and care manual	G353-M008-02
CC1	1	Electronic ignition assembly	G350-0017-01	F4	1	Tank Screw	G505-0047-01
CC2	1	Ignition battery cover	G515-0030-01				
CC3	1	Instastart™ ignition button	G353-0009-01				
CD	2	Electrode set, main burner	G522-0020-03				
CE	2	Control knob	G522-B700-01				
CF	1	Control panel	G353-0023-01				
CG	1	Front brace	G353-0010-01				
CH	1	Quick Clean™ grease tray	G353-1700-01				
CI	1	Quick Clean™ grease cup	G416-0015-01				
CJ	1	Upper back panel	G353-0011-01				
CK	1	Heat shield	G353-0021-01				
CL	1	Right track	G522-0043-01				
CM	1	Left track	G522-0027-01				
CN	1	Door support rail	G353-5000-01				

EXPLODED DIAGRAM (PROPANE) FOR 85-3066-4 (G35308)

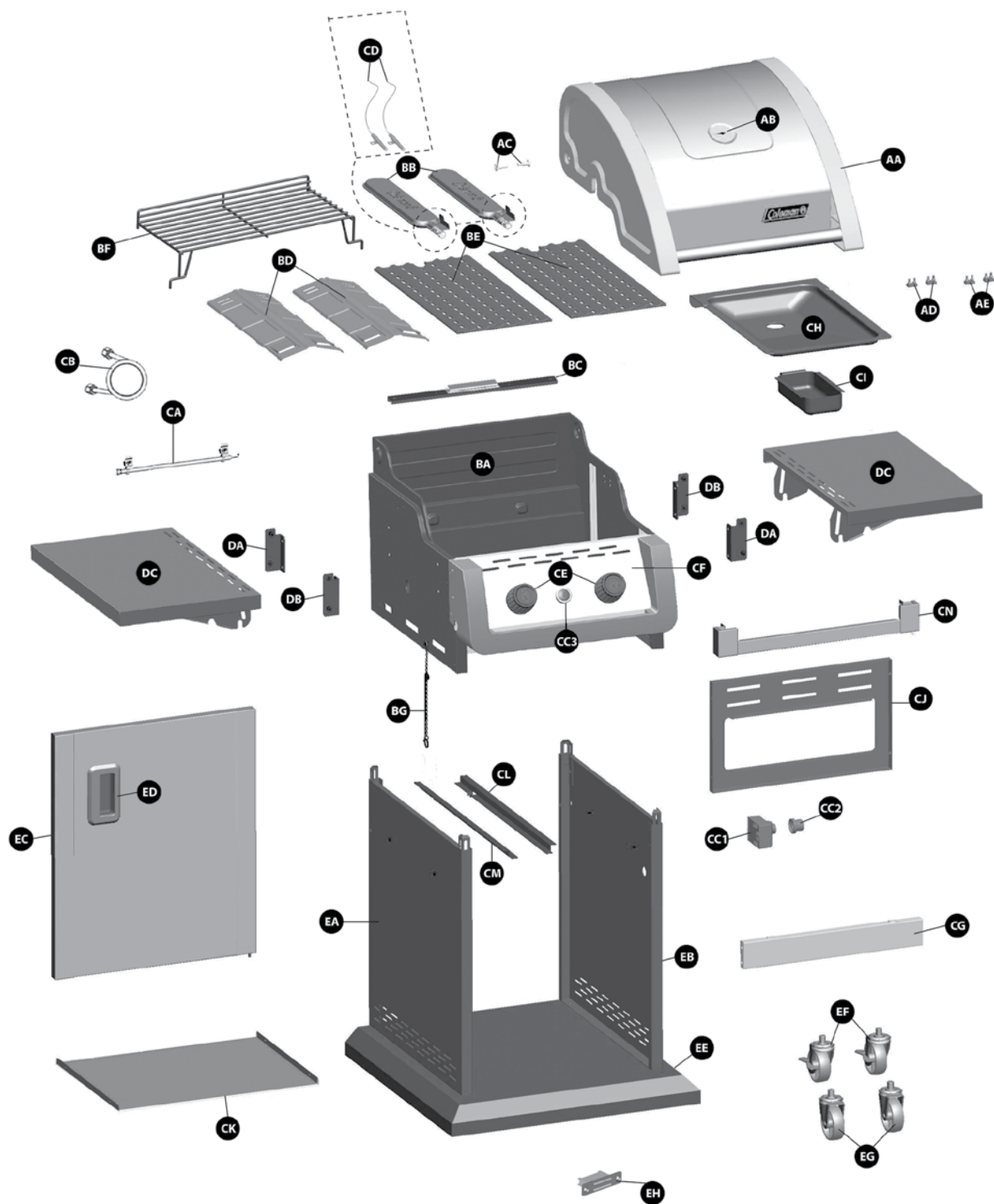


Extras			
Hardware Pack F1	Assembly Manual F2	Safety & Care Manual F3	Tank Screw F4

PARTS LIST (NATURAL GAS) FOR 85-3067-2 (G35309)

Item No.	Qty.	Description	Part No.	Item No.	Qty.	Description	Part No.
AA	1	Top lid assembly	G353-6700-01	DA	2	Support bracket A, side shelf	G353-1400-01
AB	1	Thermometer	G522-0062-01	DB	2	Support bracket B, side shelf	G353-1500-01
AC	2	Screw for top lid	G466-0007-01	DC	2	Side shelf	G353-6200-01
AD	2	Lid bumper, front	G522-0088-01				
AE	2	Lid bumper, rear	G501-0066-01	EA	1	Left side panel	G353-2900-01
				EB	1	Right side panel	G353-4200-01
BA	1	Burner box assembly	G353-5600-01	EC	1	Door assembly	G353-4500-01
BB	2	Even Heat™ burners	G522-B600-01	ED	1	Door handle	G353-0024-01
BC	1	Carryover assembly	G353-0005-01	EE	1	Bottom shelf-NG	G353-2400-01
BD	2	Even Heat™ heat distribution plate	G353-0034-01	EF	2	Locking castor	G350-0023-01
BE	2	Cooking grate	G522-0097-01	EG	2	Castor	G350-0024-01
BF	1	Warming rack	G353-0027-01	EH	1	Door magnet assembly	G501-00F2-02
BG	1	Match holder	G608-0019-01				
				F1	1	Hardware pack	G353-B001-02
CA	1	Manifold assembly-NG	G353-6500-01	F2	1	Assembly manual	G353-M008-01
CB	1	Natural Gas Hose	G501-0099-01	F3	1	Safe use and care manual	G353-M008-02
CC1	1	Electronic ignition assembly	G350-0017-01				
CC2	1	Ignition battery cover	G515-0030-01				
CC3	1	Instastart™ ignition button	G353-0009-01				
CD	2	Electrode set, main burner	G522-0020-03				
CE	2	Control knob	G522-B700-01				
CF	1	Control panel	G353-0023-01				
CG	1	Front brace	G353-0010-01				
CH	1	Quick Clean™ grease tray	G353-1700-01				
CI	1	Quick Clean™ grease cup	G416-0015-01				
CJ	1	Upper back panel	G353-0011-01				
CK	1	Heat shield	G353-0021-01				
CL	1	Right track	G522-0043-01				
CM	1	Left track	G522-0027-01				
CN	1	Door support rail	G353-5000-01				

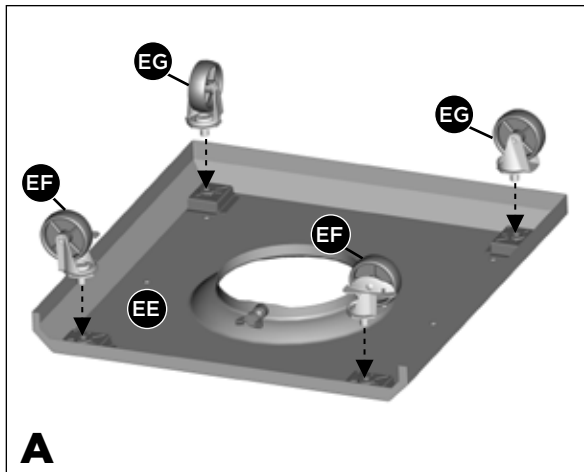
EXPLODED DIAGRAM (NATURAL GAS) FOR 85-3067-2 (G35309)



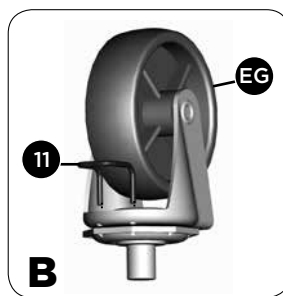
Extras		
Hardware Pack F1	Assembly Manual F2	Safety & Care Manual F3

ASSEMBLY INSTRUCTIONS

1



Upside down view



Close up

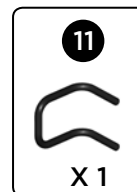
Separate the 2 different types of castors: 2 locking castors (EF) and 2 regular castors (EG).

NOTE: Regular castors (EG) need to be assembled to the front of the bottom shelf (EE), and locking castors (EF) need to be assembled to the back of the bottom shelf (EE), as shown in figure A.

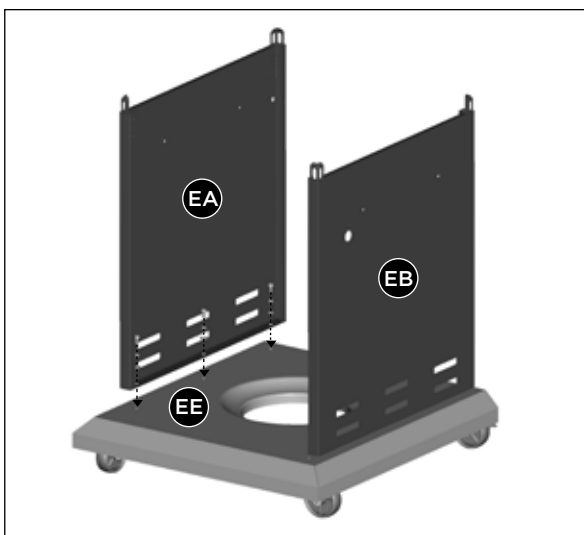
Attach the regular castor (EG) to the front of the bottom shelf (EE), and use the Pin (#11) to secure and tighten (Figure B).

Repeat for remaining 3 castors (EF & EG).

YOU WILL NEED:



2

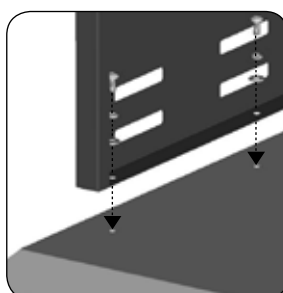
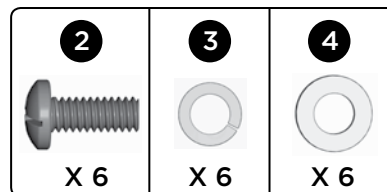


Front view

Ensure that the locking castors (EF) are firmly locked in the "ON" position before continuing.

Assemble the left side panel (EA) and the right side panel (EB), to the bottom shelf (EE).

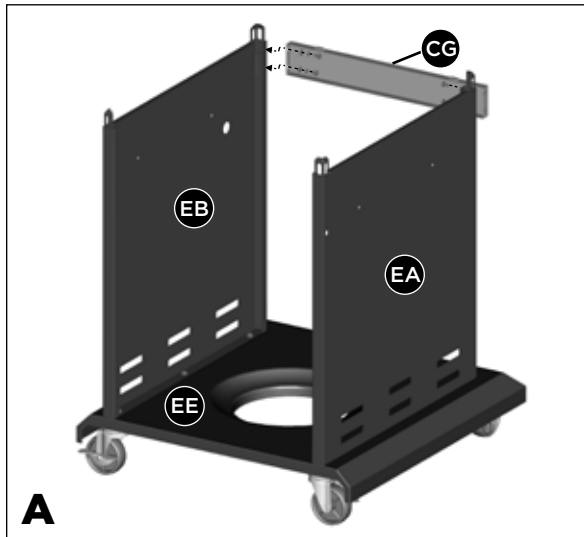
YOU WILL NEED:



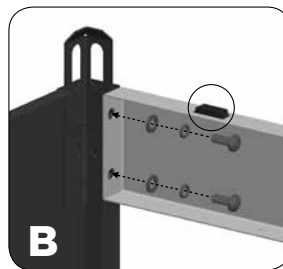
Close up

ASSEMBLY INSTRUCTIONS

3



Back view






Close up

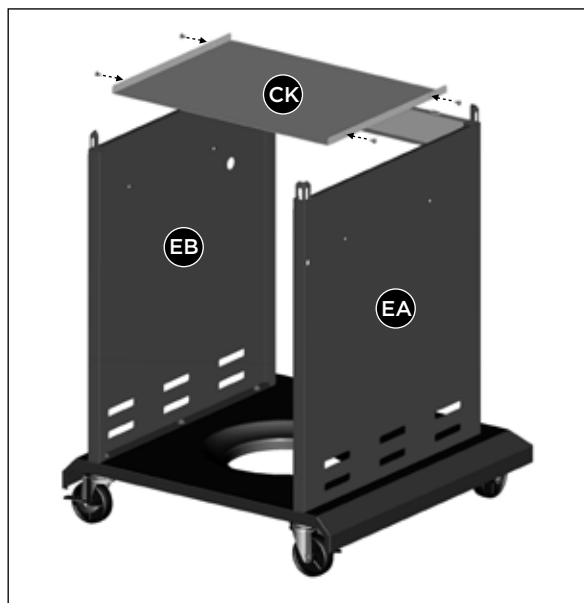
Attach the front brace (CG) to the left and right cart side panels (EA & EB). The top of the front brace (CG) can be identified by two clips located on the top left, and right side of this part, as shown in B.

TIP: One person should align the left side, while the second person assembles the right side.

YOU WILL NEED:

6	7	8
		
X 4	X 4	X 4


4



Back view

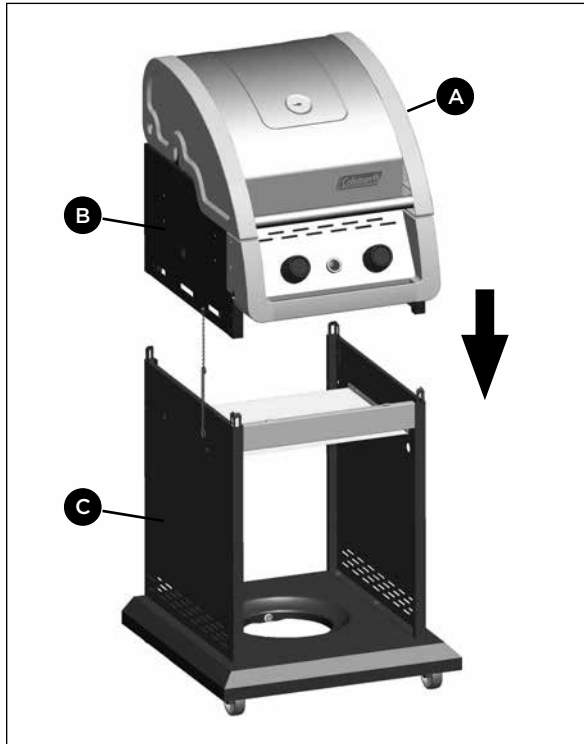
Assemble the Heat Shield (CK) to the left and right side panel (EA & EB).

YOU WILL NEED:

9

X 4

ASSEMBLY INSTRUCTIONS

5

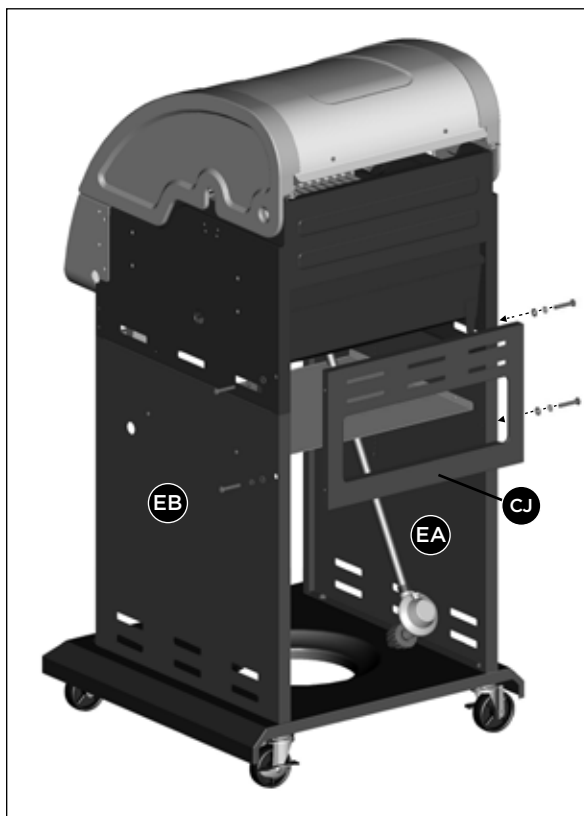


Front view

THIS STEP REQUIRES 3 PEOPLE. DO NOT ATTEMPT ALONE. EXTREMELY HEAVY!

- a. Position the top lid assembly and burner box assembly (A & B) onto the cart assembly (C), as shown.

6

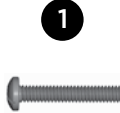




Back view

Attach the upper back panel (CJ) to both the left and right side panels (EA & EB).

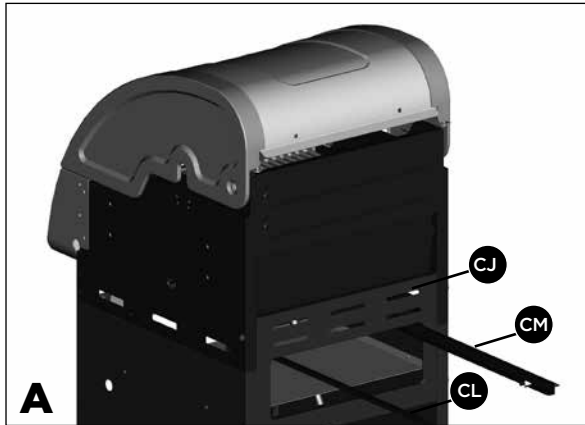
DO NOT tighten screws until all hardware has been positioned.

YOU WILL NEED:

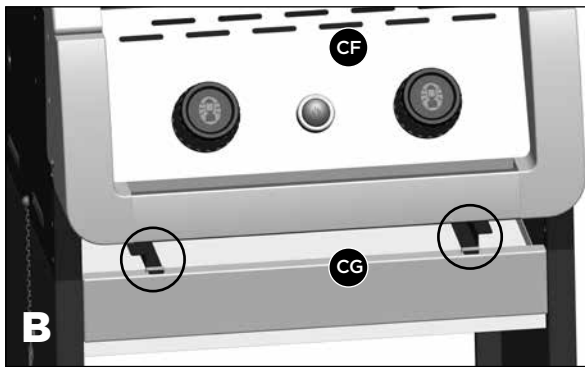
 1 X 4	 3 X 4	 4 X 4
--	---	---

ASSEMBLY INSTRUCTIONS

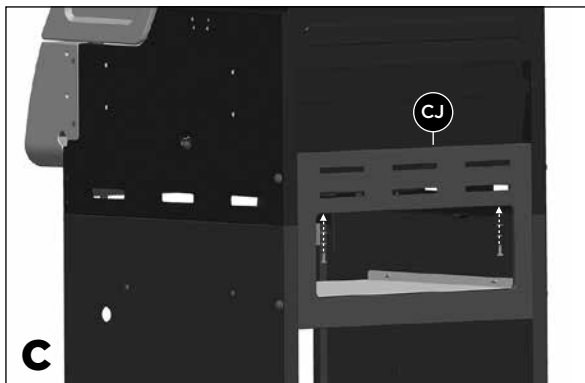
7



Back view



Front view

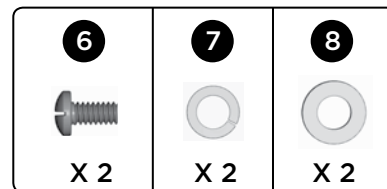


Back view

Assemble the left and right tracks (CL and CM) for the Quick Clean™ grease tray (CH), as shown in figure A, B and C.

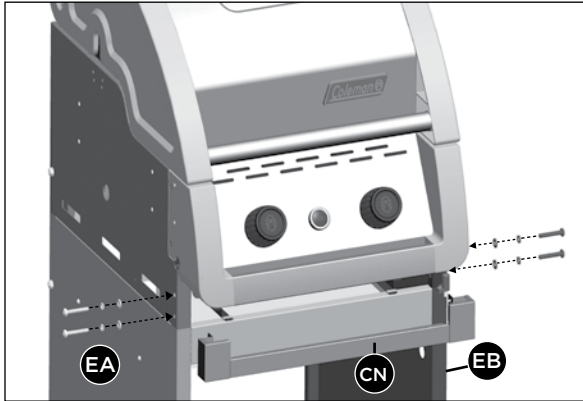
TIP: Both the left and right tracks (CL and CM) should be inserted into the two clips located on the top of the front brace (CG), as shown in figure B.

Assemble the back of the left and right tracks (CL and CM) to the upper back panel (CJ), as shown in figure C.



ASSEMBLY INSTRUCTIONS

8

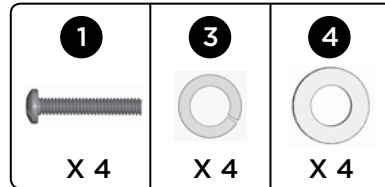


Front view

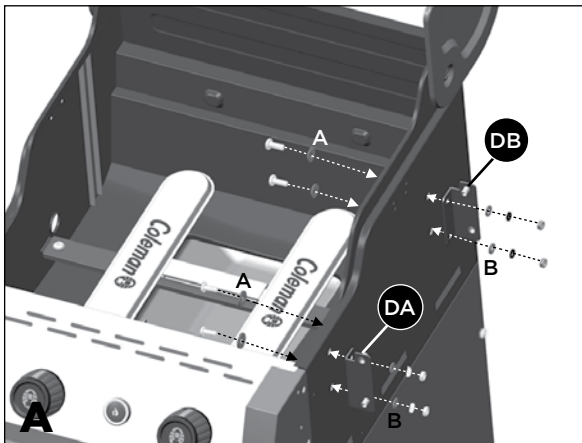
Assemble the door support rail (CN) to the left and right upper side panels (EA and EB), as shown.

⚠ WARNING: This part may have sharp edges. Wear protective gloves when assembling.

YOU WILL NEED:



9

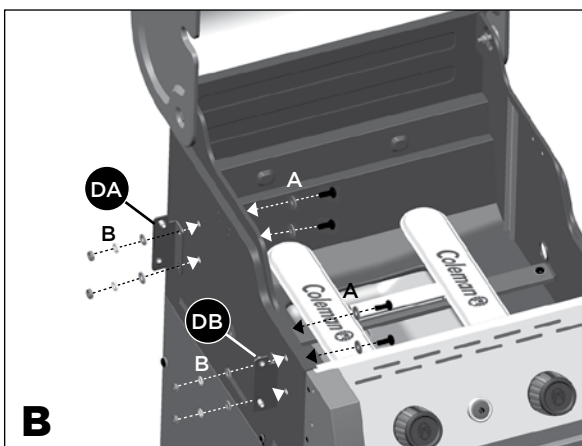
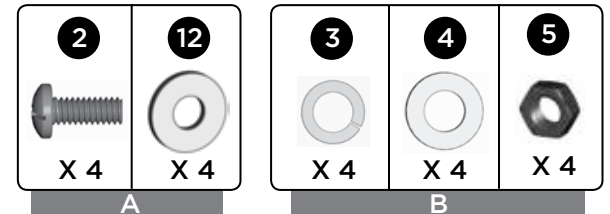


Front right side view

Left and Right side shelf assembly

a. Assemble the side shelf support bracket A (DA-front) and side shelf support bracket B (DB-back) to the right upper side panel of the burner box.

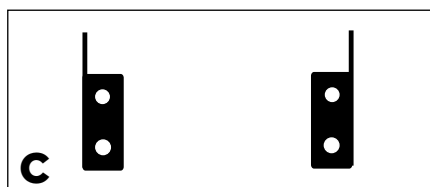
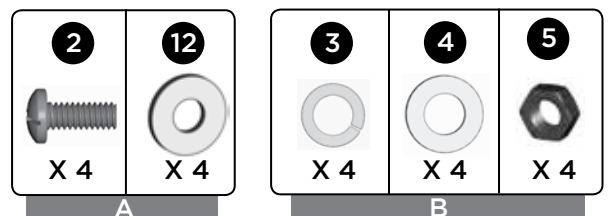
YOU WILL NEED:



Front left side view

b. Assemble the side shelf support bracket A (DA-back) and side shelf support bracket B (DB-front) to the left upper side panel of the burner box.

YOU WILL NEED:

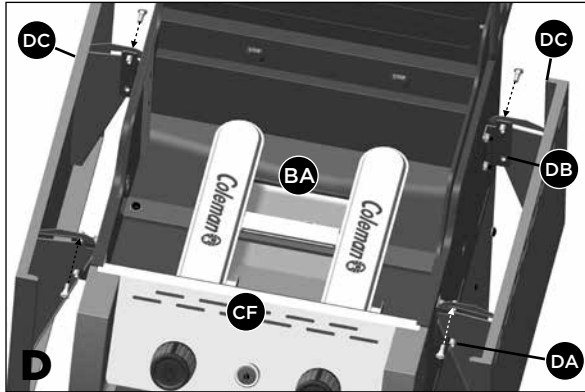


Position of support brackets

TIP: Ensure that the rubber side of the rubberized washer makes contact with the burner box.

ASSEMBLY INSTRUCTIONS

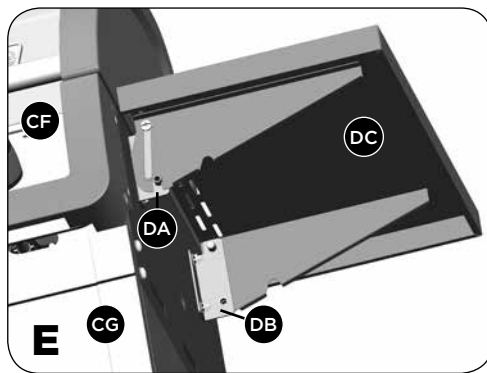
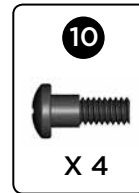
9



Front view

c. Assemble the left and right side shelves (DC) to the side shelf support brackets (DA and DB), as shown in figure D and E.

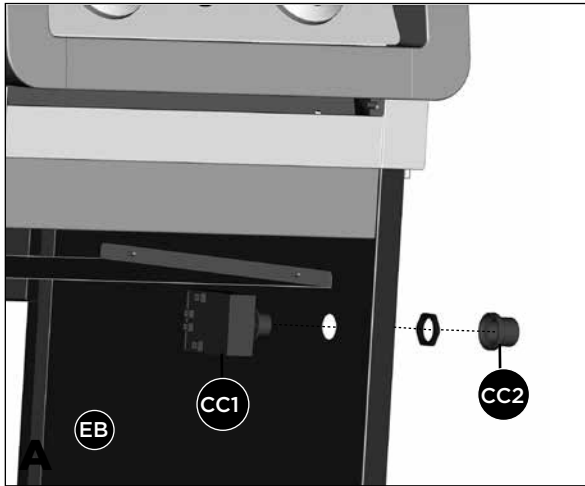
YOU WILL NEED:



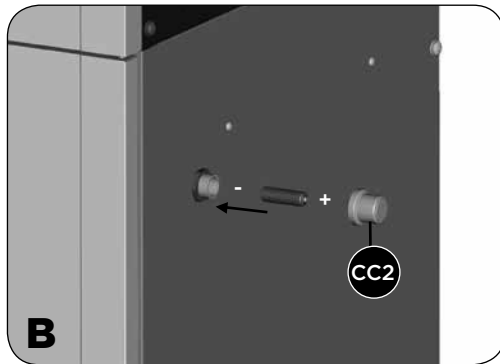
Close up, right side shelf

ASSEMBLY INSTRUCTIONS

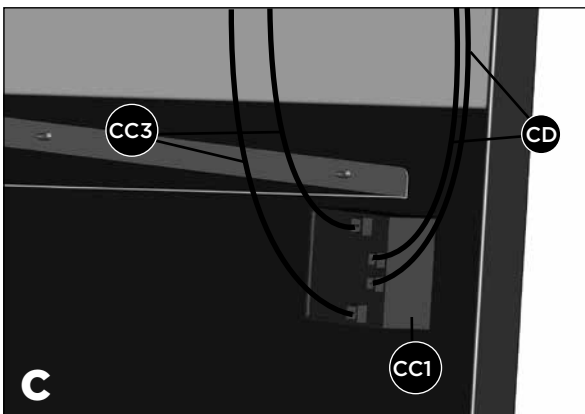
10



Right side panel, inside view



Right side panel, outside view



Right side panel, inside view

Electronic Ignition Assembly

a. Remove the ignition battery cover (CC2) and the plastic nut from the electronic ignition box (CC1).

b. Position the electronic ignition box (CC1) through the opening in the right side panel (EB) and secure using the nut.

c. Insert an "AA" battery into the battery compartment, as shown. Secure using the ignition button cover (CC2).

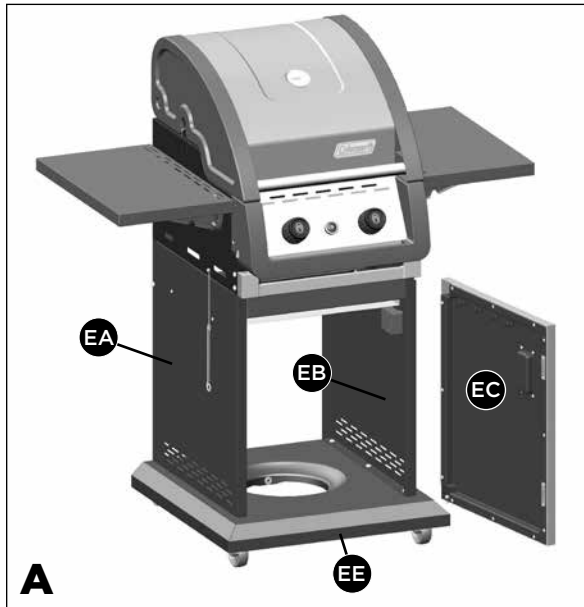
d. Insert the two Electrode set, main burner (CD) wires into the Electronic ignition assembly (CC1) as shown.

NOTE: All main burner electrode wire connection points are the same size.

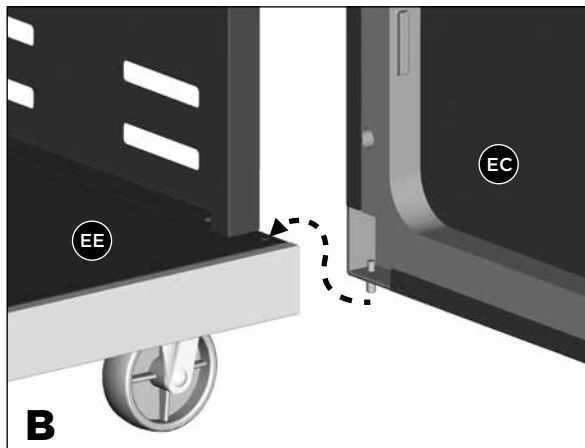
e. Insert the Instastart™ ignition button (CC3) wires into the Electronic ignition assembly (CC1), as shown in figure C.

ASSEMBLY INSTRUCTIONS

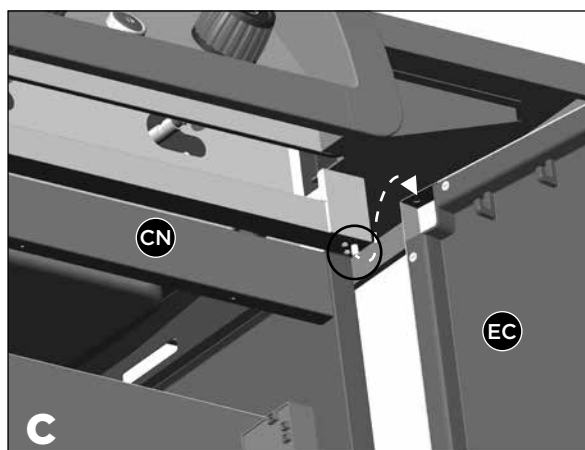
11



Front view



Bottom of door



Top of door

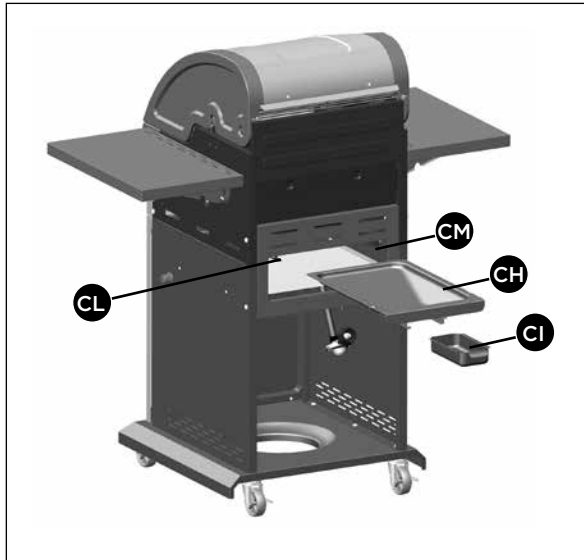
a. Assemble the door assembly (EC), to the bottom shelf (EE) by inserting the fixed pin (bottom of door) into the hole provided (figure B).

b. Assemble the top of the door assembly (EC) to the door support rail (CN), by pressing in the door support pin and aligning with the hole located on the top right corner of the door.

Tip: Use a paint scraper to press-in the support pin. The support pin will lock into position when the door is assembled correctly.

ASSEMBLY INSTRUCTIONS

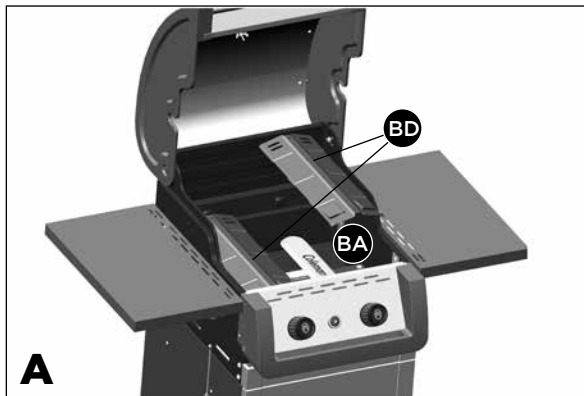
12



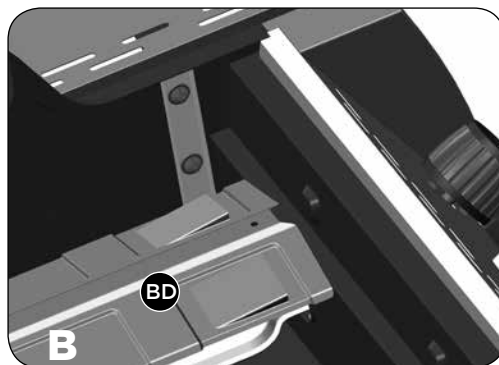
Back view

- a. Position the Quick Clean™ grease tray (CH) onto the right and left tracks (CL and CM), as shown.
- b. Position the Quick Clean™ grease cup (CI) in position under the under the Quick Clean™ grease tray (CH).

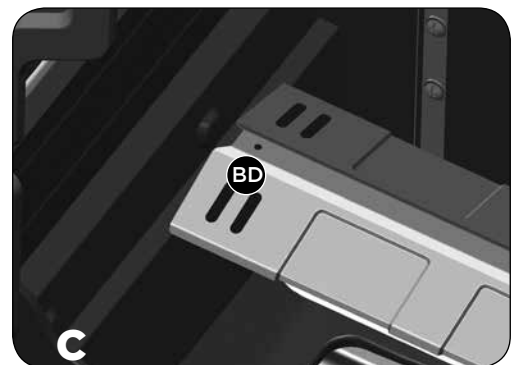
13



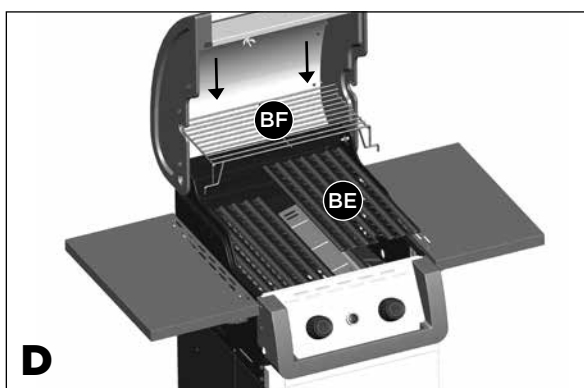
- a. Position the Even Heat™ heat distribution plates (BD) into the burner box (BA) as shown.



Close up, front view



Close up, back view



- b. Place the cooking grates (BE) into the burner box (BA), as shown in figure D.
- c. Assemble the warming rack (BF) by inserting the two fixed pins into the two holes provided on the burner box back panel (BA), as shown.

ASSEMBLY INSTRUCTIONS

14

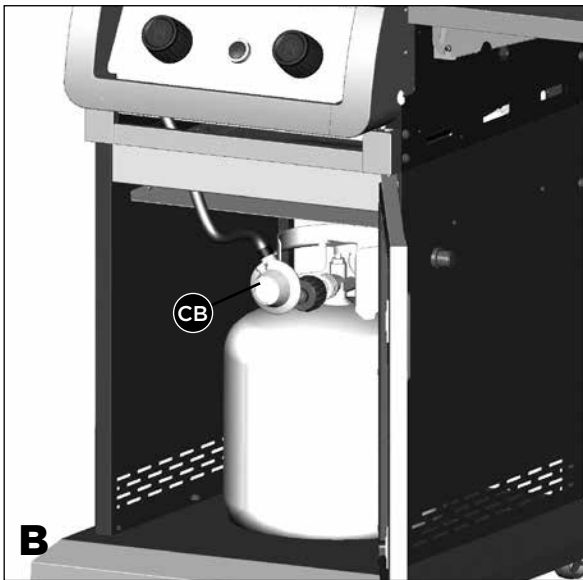


FOR PROPANE MODEL ONLY

For natural gas model, follow step 15.

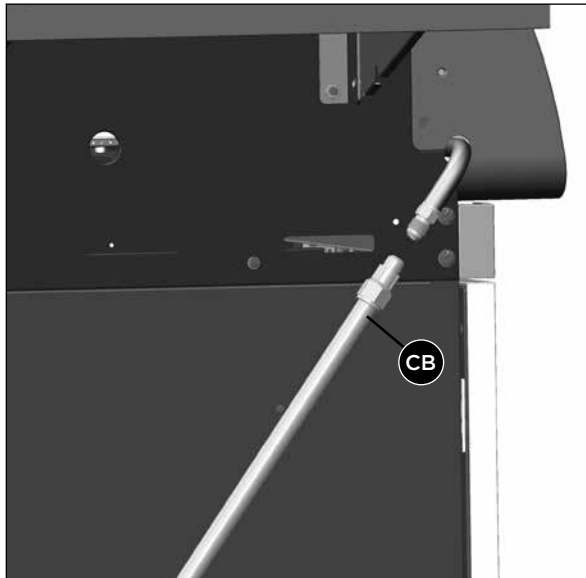
Attach the regulator (CB) coupling nut to the propane cylinder valve.

⚠ ATTENTION: For your family's safety, do not attempt to light this BBQ until you have reviewed pages 4-7 of the Coleman® Even Heat™ Barbecues Safety and Care Manual. **All safety and leak tests MUST BE PERFORMED BY THE END USER, prior to lighting this BBQ.**



ASSEMBLY INSTRUCTIONS

15



FOR NATURAL GAS MODEL ONLY

Attach the natural gas hose (CB), as shown.

⚠ ATTENTION: In order to complete installation of your Natural Gas BBQ a 1/2" or 3/8" adapter may be required to connect your BBQ's Natural gas hose to your home gas supply. Contact your natural gas supplier to purchase the necessary part.

⚠ ATTENTION: For your family's safety, do not attempt to light this BBQ until you have reviewed pages 4-7 of the Coleman® Even Heat™ Barbecues Safety and Care Manual. **All safety and leak tests MUST BE PERFORMED BY THE END USER, prior to lighting this BBQ.**



⚠ WARNING: For all new, at home, natural gas connections please contact a certified gas technician to install your natural gas barbecue.

ADDITIONAL WARNINGS

You have now completed the Assembly of your COLEMAN® EVEN HEAT™ BARBECUE.

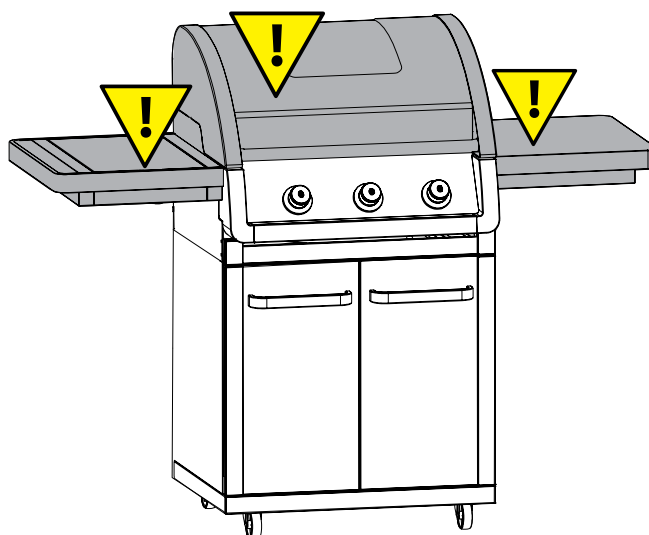
NEXT STEPS:

1. Position your BARBECUE
2. Read SAFE USE CARE MANUAL
3. Perform Grill Safety Check-list

▲ WARNING:

FOR YOUR FAMILIES SAFETY, DO NOT ATTEMPT TO LIGHT THIS BBQ UNTIL YOU HAVE REVIEWED PAGES 4-7 OF THE COLEMAN SAFE USE AND CARE MANUAL. ALL SAFETY AND LEAK TESTS MUST BE PERFORMED BY THE END USER, PRIOR TO LIGHTING THIS BBQ.

▲ WARNING HOT SURFACES:



POSITION YOUR BARBECUE

Always confirm that this Barbecue is not positioned under a combustible object (e.g., an awning or umbrella) or in a covered area (e.g., porch or gazebo) before lighting it, to prevent a possible fire.

Always confirm that this Barbecue is not positioned under the overhang of a house, a garage or other structure before lighting it. An overhang will serve to deflect flare-ups and radiate heat into the structure itself, which could result in a fire.

Always confirm that this Barbecue is positioned more than 36" (91.4cm) away from any combustible materials or surfaces before lighting it, and that no gasoline or other volatile substances are stored in the vicinity of this Barbecue. The temperature of a grease fire or of the radiated heat might otherwise be sufficient to ignite nearby combustibles or volatile substances. Do not position near windows, siding, or fencing.

Always locate the Barbecue where there will be ample combustion and ventilation air, but never position it in the direct path of a strong wind.



Join the conversation





facebook.com/colemangrills



twitter.com/colemangrills

Manufactured by Winners Products Engineering Ltd.

Coleman®,  and  are registered trademarks of The Coleman Company, Inc. used under license. ©2016 The Coleman Company, Inc.