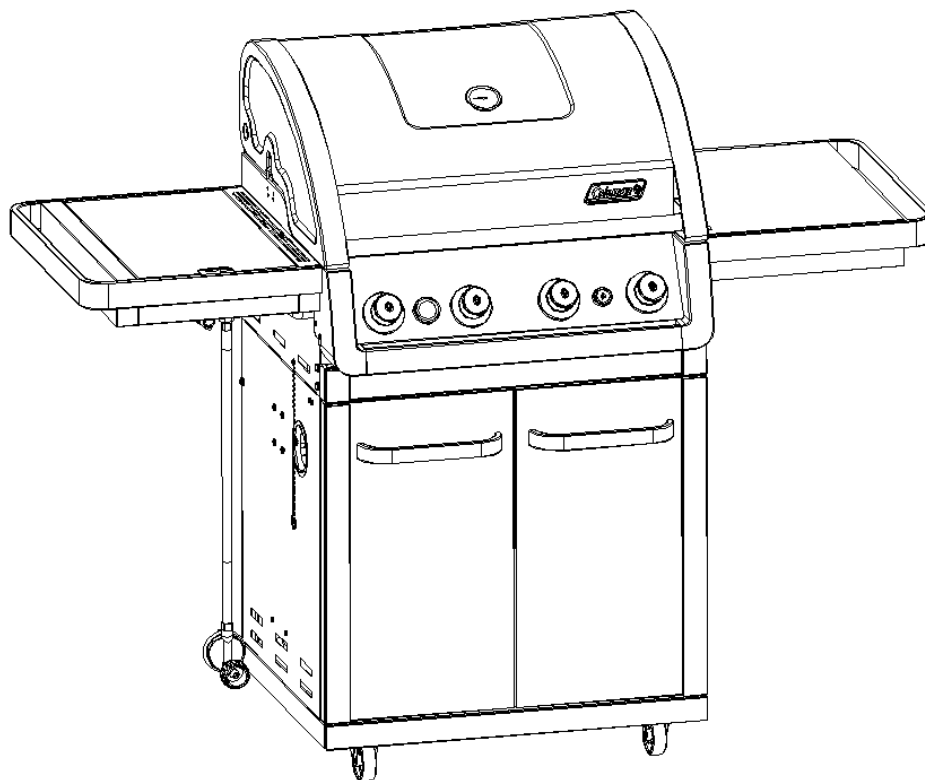




DURABILITY • POWER • PERFORMANCE

EVEN HEAT™ BARBECUE

WITH 4 BURNERS



ASSEMBLY MANUAL

85-3028-6 (G52207) Propane
85-3029-4 (G52208) Natural Gas

LIMITED 5-YEAR WARRANTY

Read and save manual for future reference.

Assemble your grill immediately. Missing or damaged parts should be claimed within 30 days of purchase.

For product inquiries, parts, warranty and troubleshooting support, please call 1-800-275-4617.



HEAVY ARTICLE NEEDS 2 TO LIFT

THIS MANUAL MUST REMAIN WITH THE PRODUCT AT ALL TIMES

To ORDER non-warranty replacement parts or accessories, or to register your warranty, please visit us on the web at www.colemanbbqs.com

⚠ CAUTION

Sharp edges. Wear gloves when assembling your grill.

⚠ CAUTION

Read and follow all safety statements, assembly instructions, and use and care directions before attempting to assemble and cook.

⚠ INSTALLER OR ASSEMBLER/ CONSUMER

This manual should be kept with the BBQ at all times.

⚠ WARNING

Failure to follow all of the Manufacturer's instructions could result in hazardous fires, explosions, property damage, or serious personal injury or even death.

Follow all leak check procedures carefully prior to operation of barbecue, even if grill was dealer assembled. Do not try to light this barbecue without reading the Lighting Instructions section of this manual.

⚠ DANGER

1. If you smell Gas:
 - a. Shut off gas to the appliance
 - b. Extinguish any open flame
 - c. Open lid
 - d. If odor continues, keep away from the appliance and immediately call your gas supplier or your fire department
2. Requires two people to complete the assembly process.
3. Beware of sharp edges.

⚠ WARNING

1. Do not store or use gasoline or other flammable liquids or vapours in the vicinity of this or any other appliance.
2. An LP cylinder not connected for use shall not be stored in the vicinity of this or any other appliance.

THIS BARBECUE IS FOR OUTDOOR USE ONLY
CONTACT CALL CENTRE IF ANY PARTS ARE MISSING
1-800-275-4617

HARDWARE PACK

TOOLS NEEDED FOR ASSEMBLY

- #2 Phillips screwdriver (long and short)
- 1/4" Slotted screwdriver (long and short)
- Adjustable wrench
- Pliers

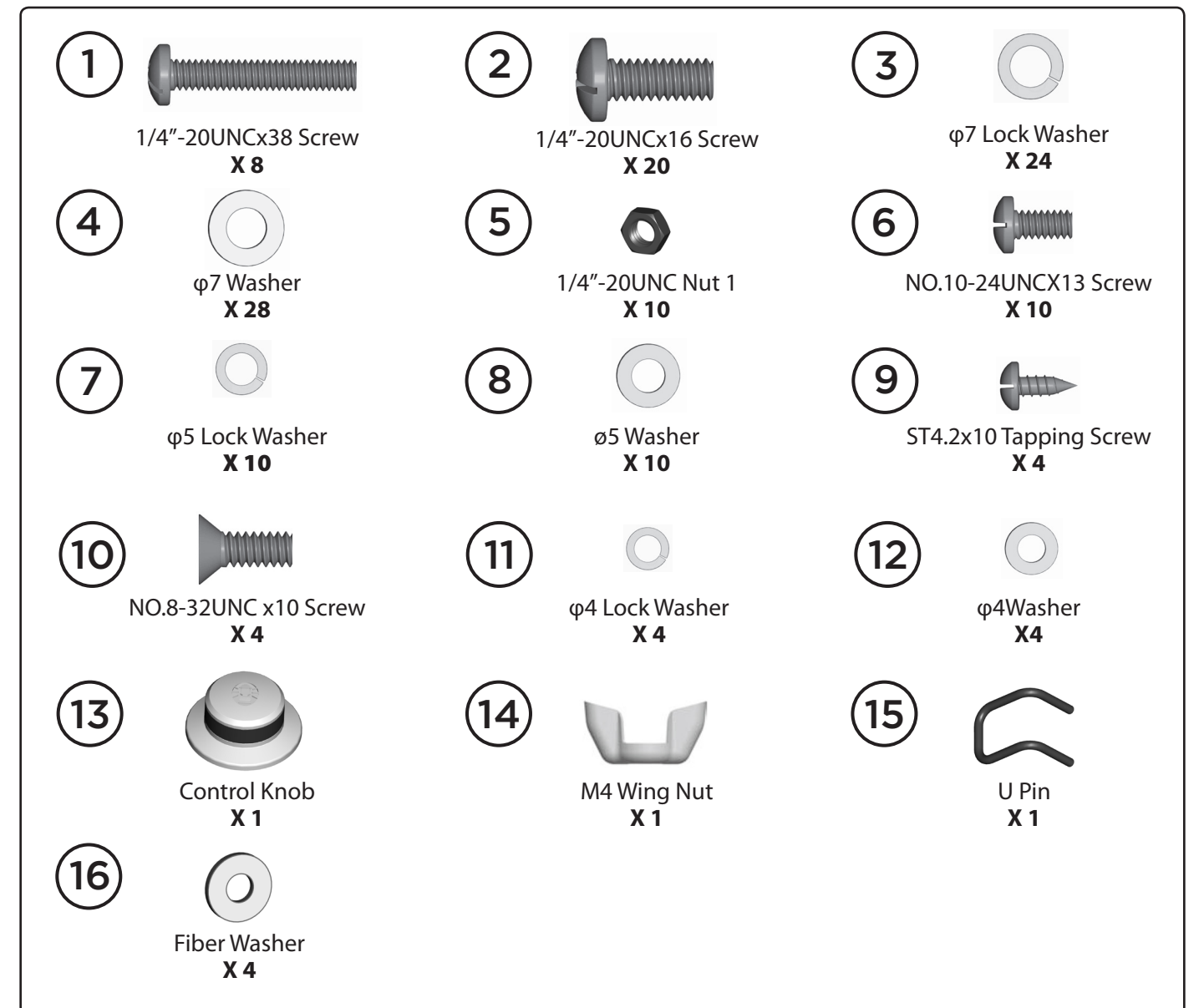
Before assembling the barbecue, read these instructions carefully.

Assemble the barbecue on a flat, clean surface. Grill is heavy. You should have at least two people assemble the barbecue together.

No.	Description	Part Number	Qty.
1	1/4"-20UNCX38 Screw	20120-13038-250	8
2	1/4"-20UNCX16 Screw	20120-13016-250	20
3	ø7 Lock Washer	41400-07000-250	24
4	ø7 Washer	40300-07000-250	28
5	1/4"-20UNC Nut 1	30220-13000-250	10
6	NO.10-24UNCx13 Screw	20124-10010-250	10
7	ø5 Lock Washer	41400-05000-250	10
8	ø5 Washer	40300-05000-250	10
9	ST4.2x10 Tapping Screw	22500-42010-137	4
10	NO.8-32UNCx10 Screw	20132-08010-250	4
11	ø4 Lock Washer	41400-04000-250	4
12	ø4 Washer	40300-04000-250	4
13	Control Knob	G522-2800-9000	1
14	Wing Nut	33301-04000-032	1
15	U Pin	G350-0026-9000	1
16	Fiber Washer	G501-0054-9100	4

⚠ Caution:

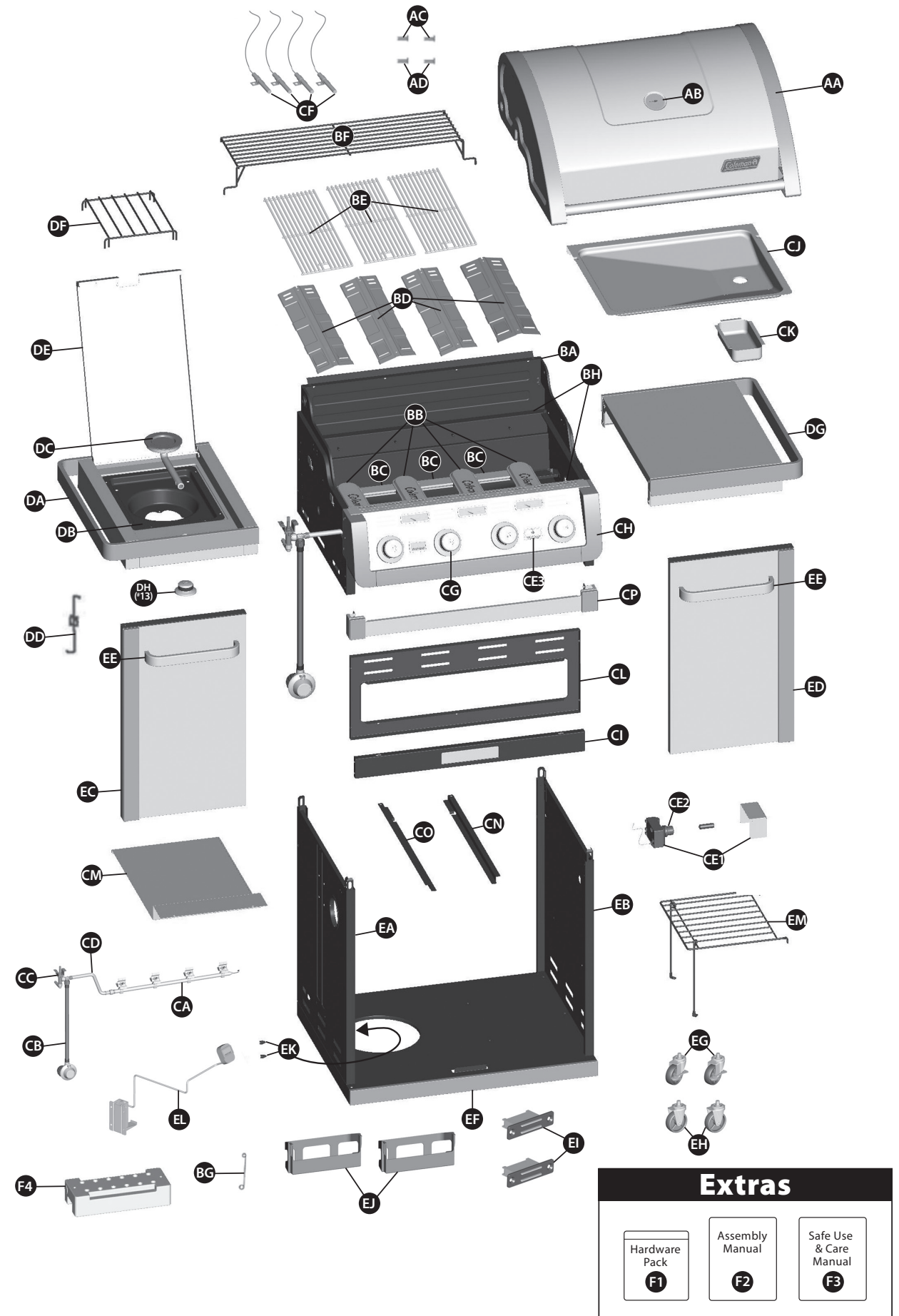
Sheet metal can cause injury. Wear gloves when installing the grill.



PARTS LIST (PROPANE) FOR 85-3028-6 (G52207)

Item No.	Qty.	Description	Part No.	Item No.	Qty.	Description	Part No.
AA	1	Top lid assembly	G522-2300-01	DA	1	Left side burner side shelf	G522-1100-01
AB	1	Thermometer	G522-0062-01	DB	1	Side burner drip pan	G522-0031-01
AC	2	Screw for top lid	G433-0002-01	DC	1	Side burner	G515-1000-01
AD	2	Lid bumper	G508-0063-01	DD	1	Electrode wire, side burner	G515-0039-01
BA	1	Burner box assembly	G522-5300-01	DE	1	Side burner lid	G522-0058-01
BB	4	Even Heat™ burners	G522-4900-01	DF	1	Side burner cooking grate	G501-0077-01
BC	1	Carryover assembly	G522-0087-01	DG	1	Right side shelf	G522-1000-01
BD	4	Even Heat™ heat distribution plate	G522-0072-01	DH	1	Side burner control knob	G522-2800-01
BE	3	Coleman stainless steel cooking grates	G522-0024-01	EA	1	Left side panel	G522-0300-01
BF	1	Warming rack	G515-0058-01	EB	1	Right side panel	G522-0400-01
BG	1	Match holder	G608-0019-01	EC	1	Left door assembly	G522-8100-01
BH	2	Even Heat™ heat distribution plate brace	G522-0086-01	ED	1	Right door assembly	G522-9100-01
CA	1	Manifold assembly-LP	G522-5500-01	EE	2	Door handle	G522-0036-01
CB	1	Regulator	G606-0008-01	EF	1	Bottom shelf-LP	G522-4000-01
CC	1	Side burner valve with T bracket LP	G522-0070-01	EG	2	Locking castor	G515-0082-01
CD	1	Metal hose, side burner	G508-0024-01	EH	2	Castor	G350-0024-01
CE1	1	Electronic ignition assembly	G515-0030-02	EI	2	Door magnet assembly	G501-00F2-01
CE2	1	Ignition battery cover	G515-0030-01	EJ	2	Condiment Baskets	G522-0061-01
CE3	1	Instastart™ ignition button	G353-0009-01	EK	2	Tank stopper	G522-0042-01
CF	4	Electrode set, main burner	G522-0020-02	EL	1	Quick Check™ fuel gauge assembly	G522-6500-01
CG	4	Control knob	G522-2700-01	EL1	1	Quick Check™ fuel gauge	
CH	1	Control panel	G522-0074-01	EL2	1	Quick Check™ hydraulic tube	
CI	1	Front brace	G522-0025-01	EL3	1	Quick Check™ tank support bracket	
CJ	1	Quick Clean™ grease tray	G522-0800-01	EM	1	Wire shelf	G502-0069-01
CK	1	Quick Clean™ grease cup	G416-0015-01	F1	1	Hardware pack	G522-B005-01
CL	1	Upper back panel	G522-0026-01	F2	1	Assembly manual	G522-M007-01
CM	1	Heat shield	G522-0041-01	F3	1	Safe use and care manual	G522-M005-02
CN	1	Right track	G522-0043-01	F4	1	Bottom shelf weight	G412-0030-01
CO	1	Left track	G522-0027-01				
CP	1	Door support rail	G522-5100-01				

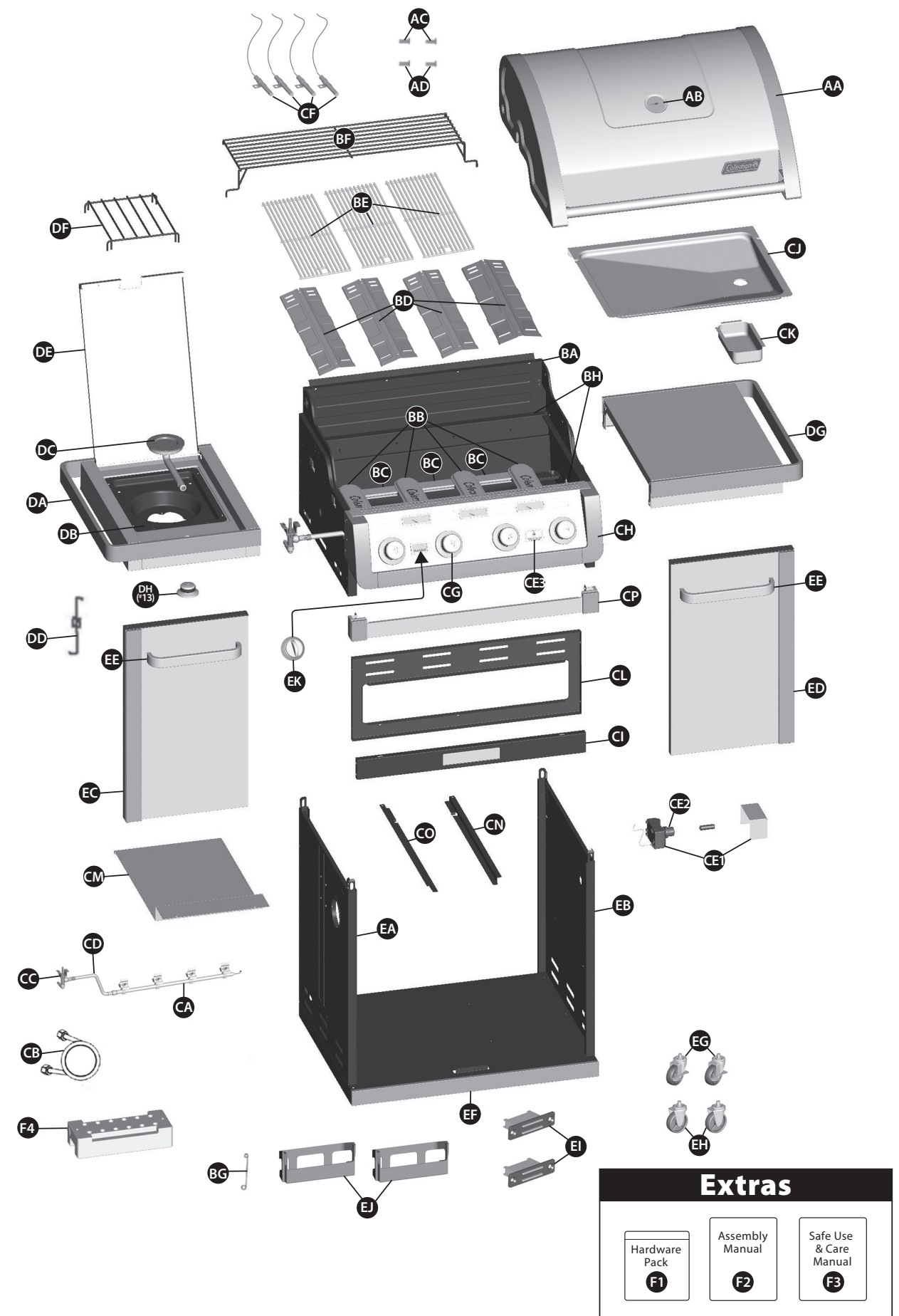
EXPLODED DIAGRAM (PROPANE) FOR 85-3028-6 (G52207)



PARTS LIST (NATURAL GAS) FOR 85-3029-4 (G52208)

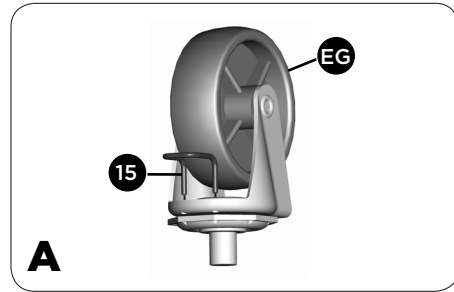
Item No.	Qty.	Description	Part No.	Item No.	Qty.	Description	Part No.
AA	1	Top lid assembly	G522-2300-01	DA	1	Left side burner side shelf	G522-1100-01
AB	1	Thermometer	G522-0062-01	DB	1	Side burner drip pan	G522-0031-01
AC	2	Screw for top lid	G433-0002-01	DC	1	Side burner	G515-1000-01
AD	2	Lid bumper	G508-0063-01	DD	1	Electrode wire, side burner	G515-0039-01
BA	1	Burner box assembly	G522-5300-01	DE	1	Side burner lid	G522-0058-01
BB	4	Even Heat™ burners	G522-4900-01	DF	1	Side burner cooking grate	G501-0077-01
BC	1	Carryover assembly	G522-0087-01	DG	1	Right side shelf	G522-1000-01
BD	4	Even Heat™ heat distribution plate	G522-0072-01	DH	1	Side burner control knob	G522-2800-01
BE	3	Coleman stainless steel cooking grates	G522-0024-01	EA	1	Left side panel	G522-0300-01
BF	1	Warming rack	G515-0058-01	EB	1	Right side panel	G522-0400-01
BG	1	Match holder	G608-0019-01	EC	1	Left door assembly	G522-8100-01
BH	2	Even Heat™ heat distribution plate brace	G522-0086-01	ED	1	Right door assembly	G522-9100-01
CA	1	Manifold assembly- NG	G522-6400-01	EE	2	Door handle	G522-0036-01
CB	1	Natural gas hose	G501-0099-01	EF	1	Bottom shelf-NG	G522-4600-01
CC	1	Side burner valve with T bracket - NG	G522-0082-01	EG	2	Locking castor	G515-0082-01
CD	1	Metal hose, side burner	G508-0024-01	EH	2	Castor	G350-0024-01
CE1	1	Electronic ignition assembly	G515-0030-02	EI	2	Door magnet assembly	G501-00F2-01
CE2	1	Ignition battery cover	G515-0030-01	EJ	2	Condiment Baskets	G522-0061-01
CE3	1	Instastart™ ignition button	G353-0009-01	EK	1	Timer	G430-0049-01
CF	4	Electrode set, main burner	G522-0020-02	F1	1	Hardware pack	G522-B005-01
CG	4	Control knob	G522-2700-01	F2	1	Assembly manual	G522-M007-01
CH	1	Control panel	G522-0084-01	F3	1	Safe use and care manual	G522-M005-02
CI	1	Front brace	G522-0025-01	F4	1	Bottom shelf weight	G412-0030-01
CJ	1	Quick clean™ grease tray	G522-0800-01				
CK	1	Quick clean™ grease cup	G416-0015-01				
CL	1	Upper back panel	G522-0026-01				
CM	1	Heat shield	G522-0041-01				
CN	1	Right track	G522-0043-01				
CO	1	Left track	G522-0027-01				
CP	1	Door support rail	G522-5100-01				

EXPLODED DIAGRAM (NATURAL GAS) FOR 85-3029-4 (G52208)

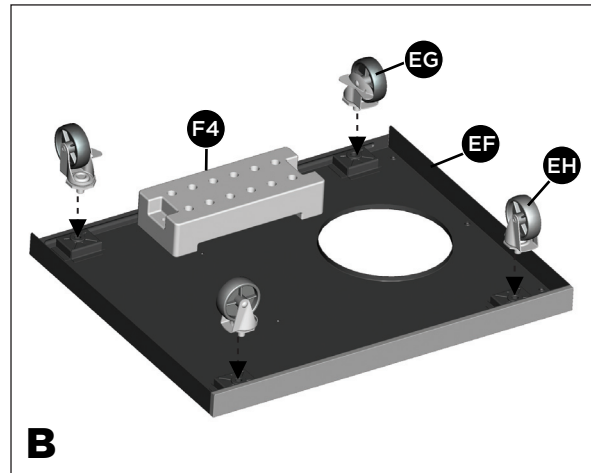


ASSEMBLY INSTRUCTIONS

1



Close up



Upside down view

- Separate the 2 different types of castors: 2 locking castors (EG) and 2 regular castors (EH).
- Insert the U Pin (#15) into one of the regular castors (EH), as shown in image B. Attach the regular castor (EH) to the front of the bottom shelf (EF), and use the U Pin (#15) to secure and tighten.

Repeat for remaining 3 castors (EG & EH).

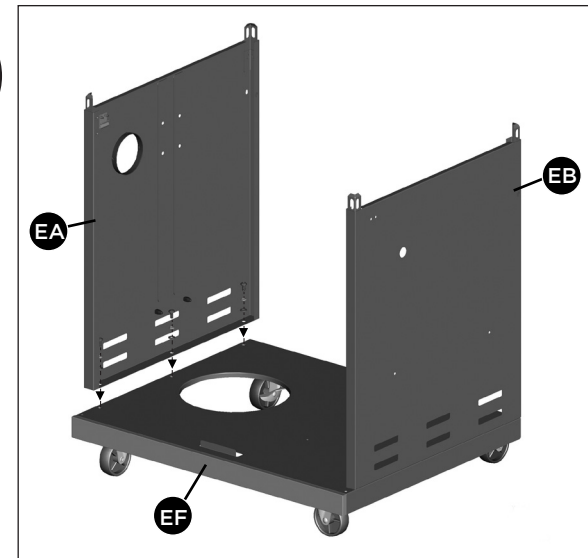
NOTE: Regular castors (EH) need to be assembled to the front of the bottom shelf (EF), and locking castors (EG) need to be assembled to the back of the bottom shelf (EF), as shown in image C.

YOU WILL NEED:

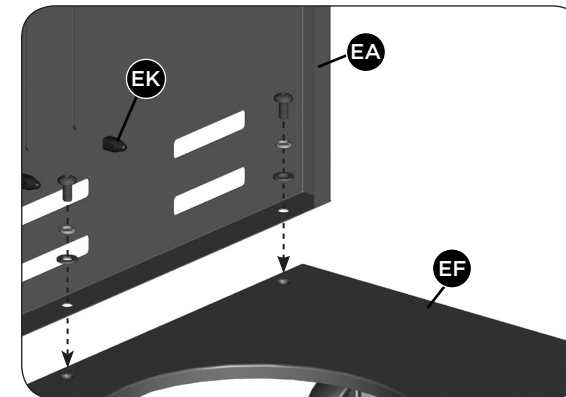


ASSEMBLY INSTRUCTIONS

2



Front view

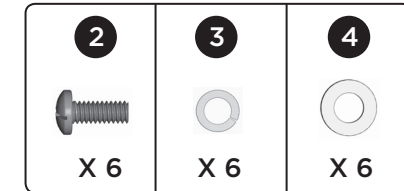


Close up

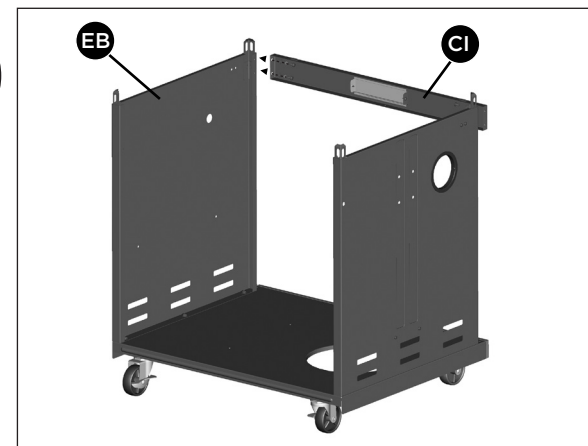
Ensure that the locking castors (EG) are firmly locked in the "ON" position before continuing.

Assemble the left side panel (EA) and the right side panel (EB), to the bottom shelf (EF).

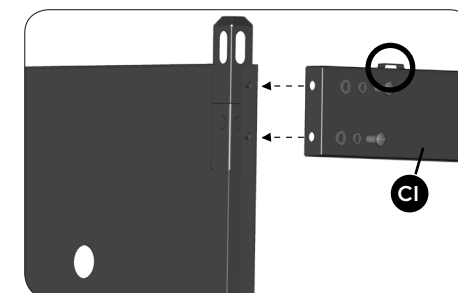
YOU WILL NEED:



3



Back view

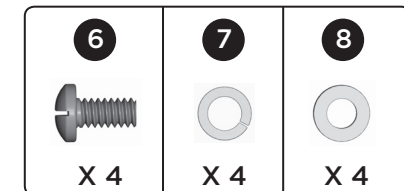


Close up

Attach the front brace (CI) to the left and right cart side panels (EA and EB). The top of the front brace (CI) can be identified by two clips located on the top left, and right side of this part.

TIP: One person should align the left side, while the second person assembles the right side.

YOU WILL NEED:



ASSEMBLY INSTRUCTIONS

4

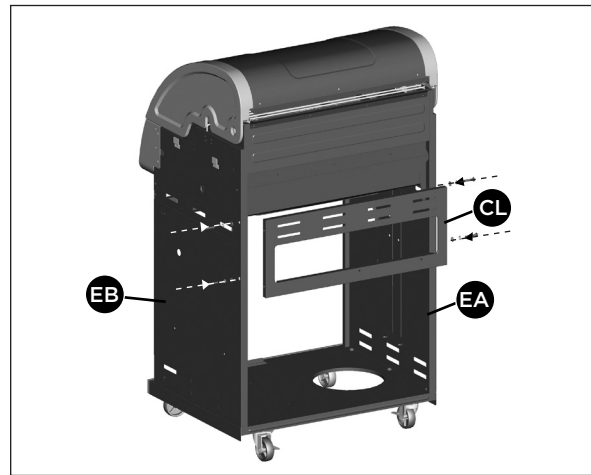


Front view

THIS STEP REQUIRES 3 PEOPLE. DO NOT ATTEMPT ALONE. EXTREMELY HEAVY.

Position the top lid assembly and burner box assembly (A & B) onto the cart assembly (C), as shown.

5

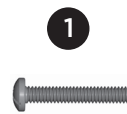




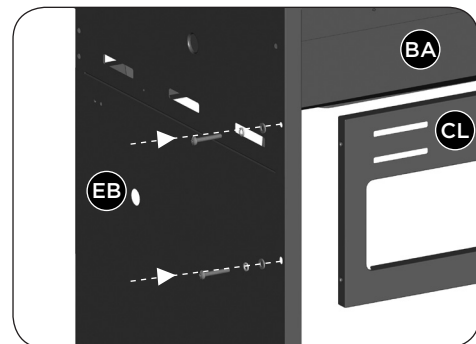
Back view

Attach the upper back panel (CL) to both the left and right side panels (EA & EB).

DO NOT tighten screws until all hardware has been positioned.

YOU WILL NEED:

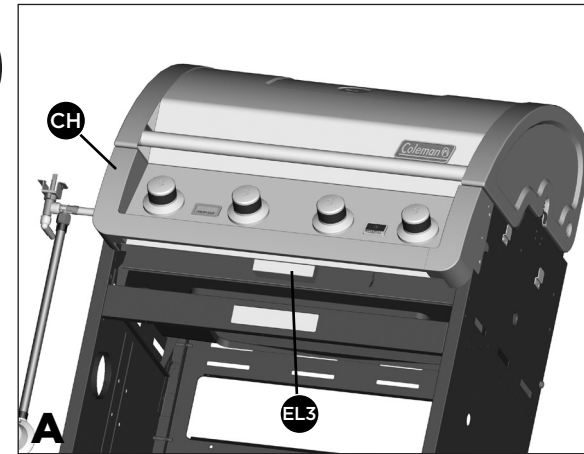
		
X 4	X 4	X 4



Close up

ASSEMBLY INSTRUCTIONS

6



Front view

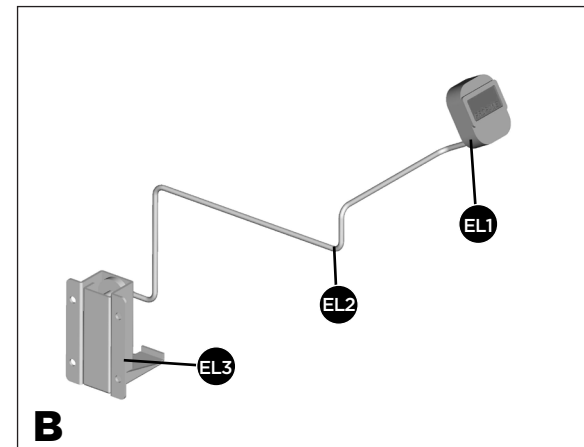
PROPANE MODEL ONLY

a. Remove the Quick Check™ tank support bracket (EL3) from the carton located under the control panel (CH).

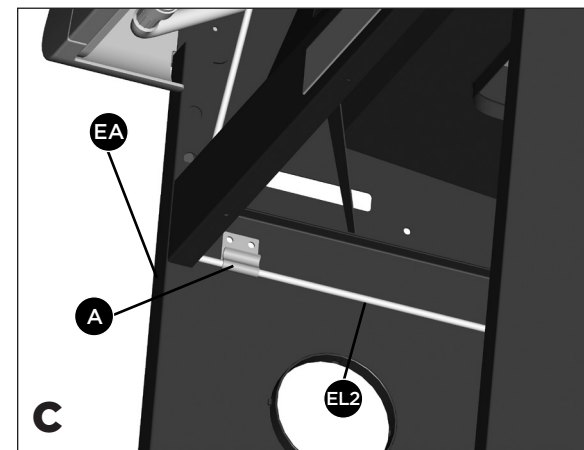
ATTENTION: Open the carton with care to avoid damaging or cutting the Quick Check™ hydraulic tube (EL2).

DO NOT bend the QUICK CHECK™ hydraulic tube (EL2).

DO NOT pull or place unnecessary force on to the QUICK CHECK™ hydraulic tube (EL2) connection points at the fuel gauge (EL1) or tank support bracket (EL3), as this may cause a leak in the hydraulic tube, resulting in unreliable fuel gauge readouts.



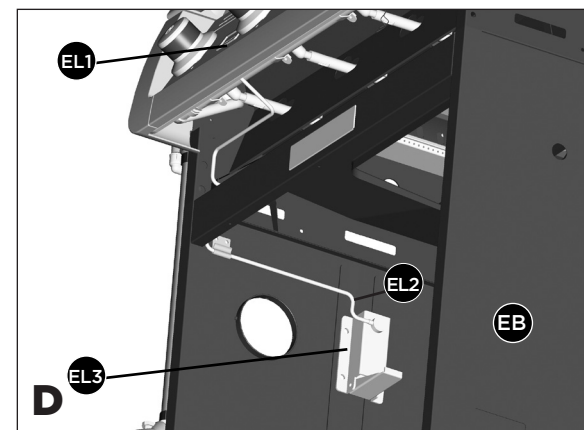
Quick Check™ Fuel Gauge (EL)



Left side panel, Inside view

PROPANE MODEL ONLY

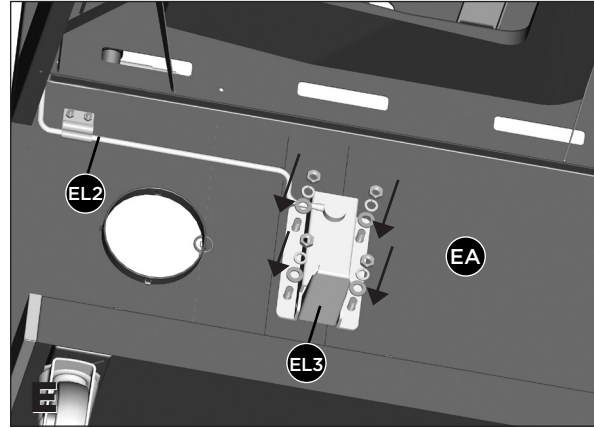
b. Locate the Quick Check™ hydraulic tube support bracket (A) on the left side panel (EA). Unscrew the hardware and position the hydraulic tube (EL2) behind the bracket (A) and reconnect to the left side panel (EA) (Figure C).



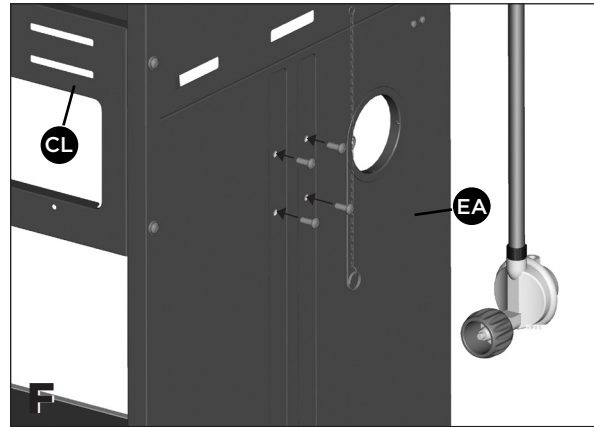
Left side panel, Inside view

ASSEMBLY INSTRUCTIONS

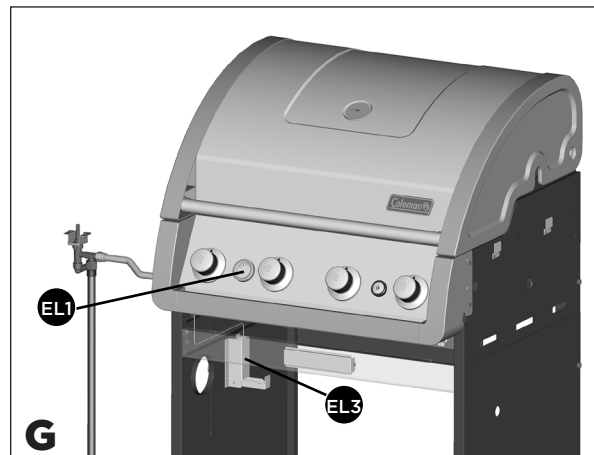
6



Left side panel, Inside View



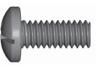



Left side, outside view



Front view

c. Assemble the Quick Check™ tank support bracket (EL3) to the left side panel (EA), as shown in Figure E and F.

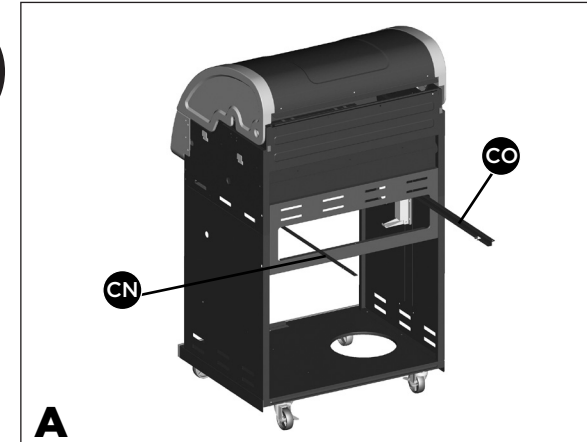
YOU WILL NEED:

2  X 4	3  X 4	4  X 4	5  X 4
--	---	--	--

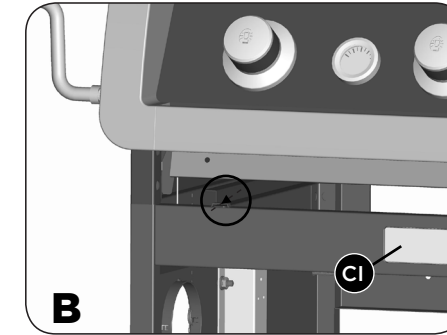
d. Final image reflects the proper assembly of the Quick Check™ fuel gauge assembly (EL).

ASSEMBLY INSTRUCTIONS

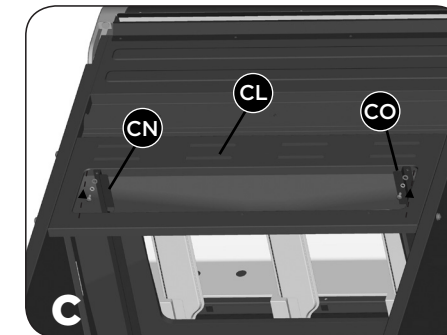
7



Back view



Close up, front view






Close up, back view

a. Assemble the left and right tracks (CO and CN) for the Quick Clean™ grease tray (CJ), as shown in figure A.

b. Both the left and right tracks (CO and CN) should be inserted into the two clips located on the front brace (CI), as shown in figure B.

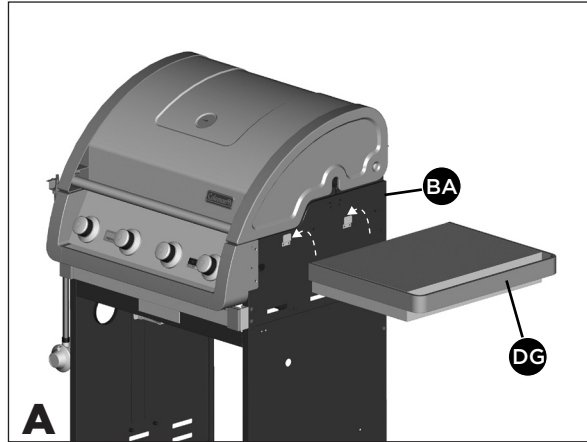
c. Assemble the back of the left and right tracks (CO and CN) to the upper back panel (CL), as shown in figure C.

YOU WILL NEED:

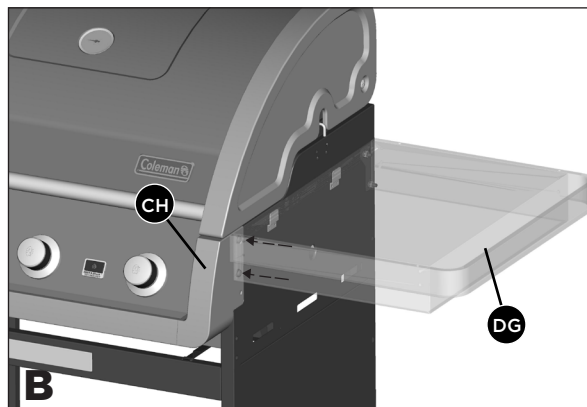
6  X 2	7  X 2	8  X 2
--	--	--

ASSEMBLY INSTRUCTIONS

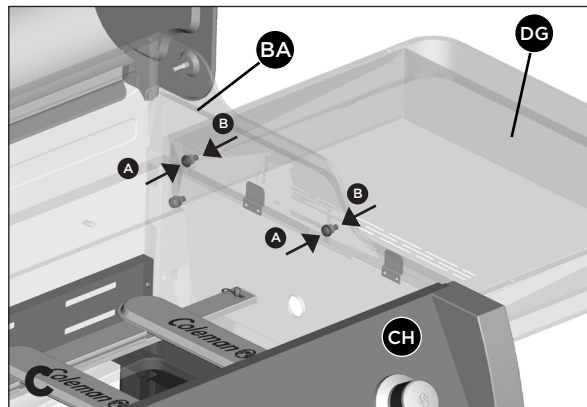
8



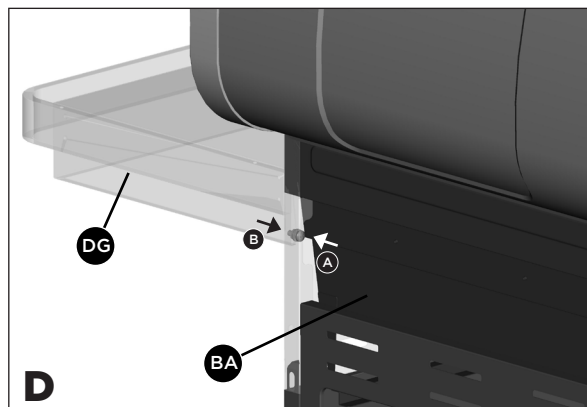
Front view



Front, right side view



View inside burner box



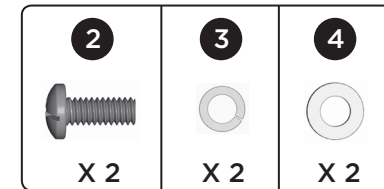
Back, right side view

TIP: Do not tighten until all hardware is in place.

a. Mount the right side shelf (DG) onto the two support brackets, located on the right, upper side panel of the burner box (BA).

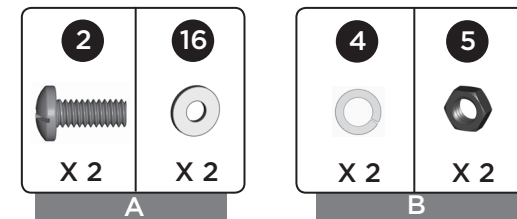
b. Assemble the front of the right side shelf (DG) to the control panel (CH), as shown in figure B.

YOU WILL NEED:



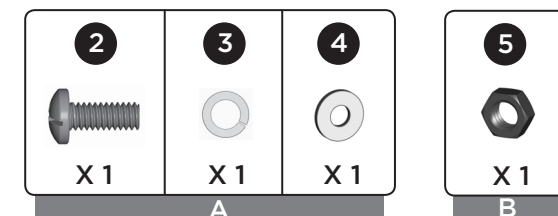
c. Assemble the right side shelf (DG) to the upper side panel of the burner box (BA), by positioning hardware through the interior of the burner box, as shown in figure C.

YOU WILL NEED:



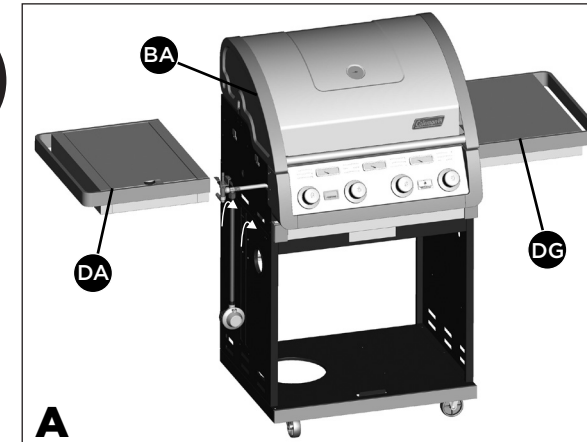
d. Complete the right side shelf assembly (DG) by connecting the right side shelf (DG) to the rear of the burner box side panel (BA) as shown in figure D.

YOU WILL NEED:

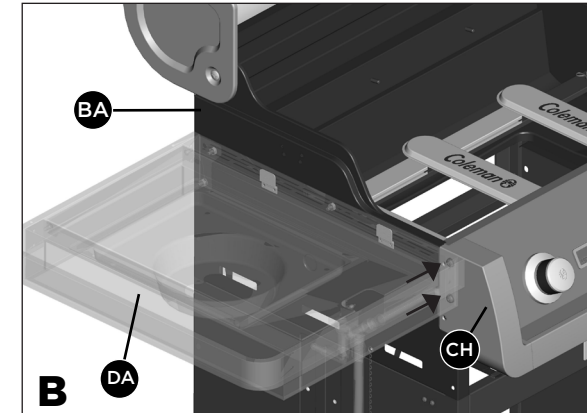


ASSEMBLY INSTRUCTIONS

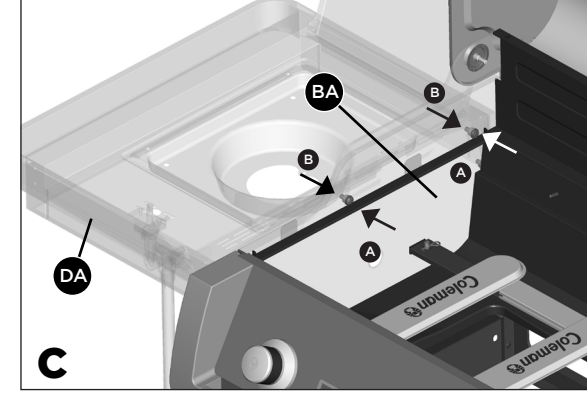
9



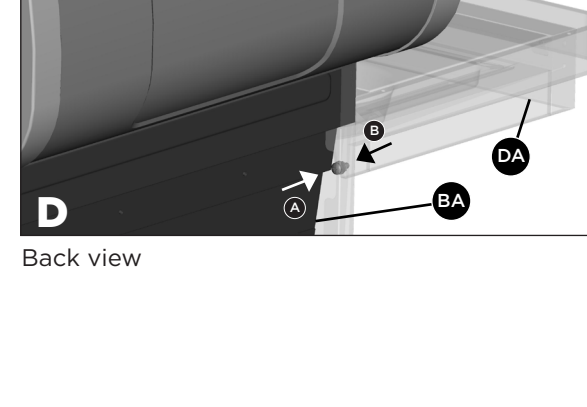
Front view



Front view



View inside burner box



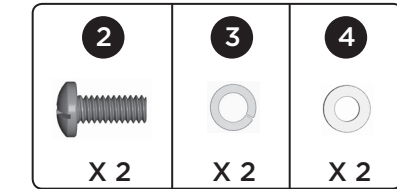
Back view

TIP: Do not tighten until all hardware is in place.

a. Mount the left side burner side shelf (DA) onto the two support brackets, located on the left, upper side panel of the burner box (BA).

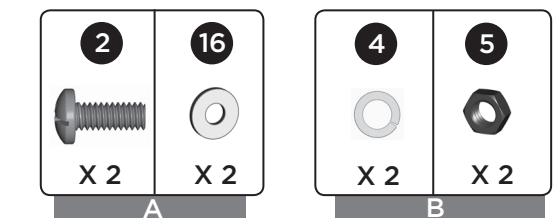
b. Assemble the front of the left side burner side shelf assembly (DA) to the control panel (CH), as shown in figure B.

YOU WILL NEED:



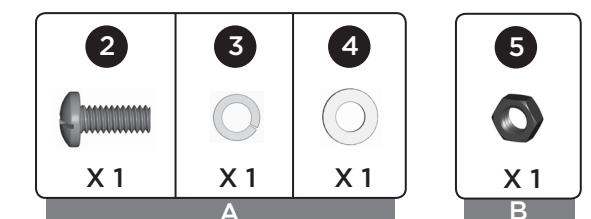
c. Assemble the left side burner side shelf (DA) to the upper side panel of the burner box (BA), by positioning hardware through the interior of the burner box (BA), as shown in figure C.

YOU WILL NEED:



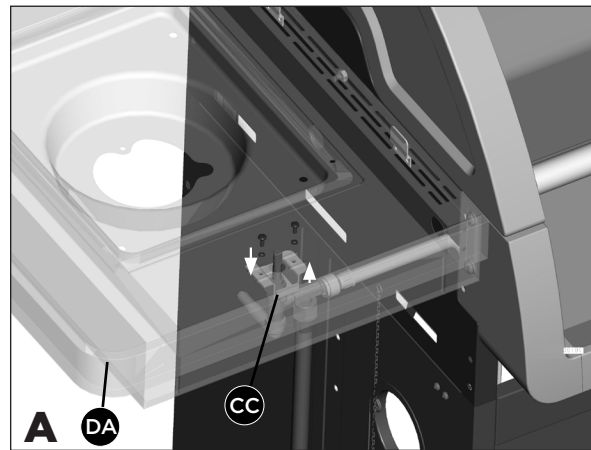
d. Complete the left side burner side shelf assembly (DA) by connecting the side shelf to the rear of the burner box side panel (BA), as shown in figure D.

YOU WILL NEED:

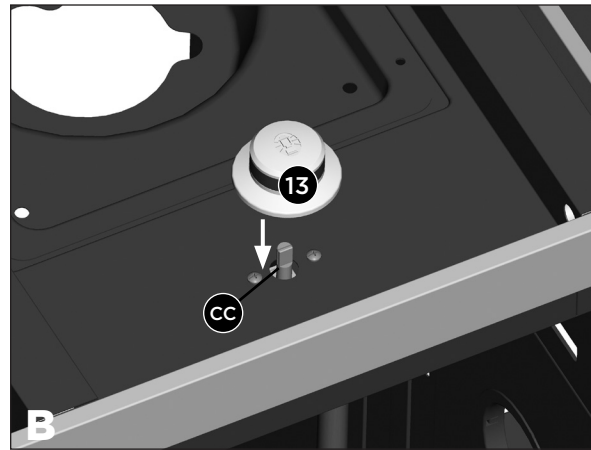


ASSEMBLY INSTRUCTIONS

10

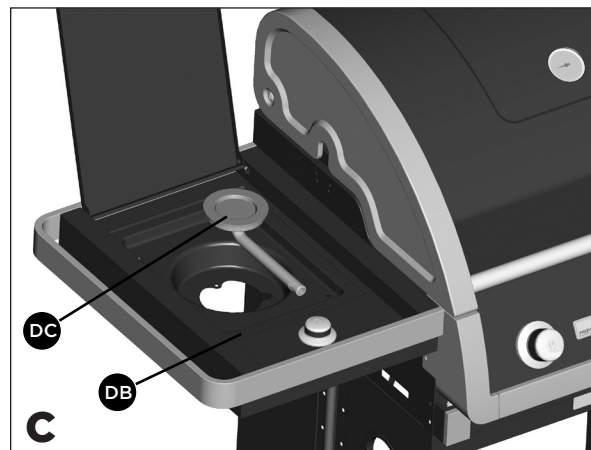


- a. Remove the hardware that is pre-assembled to the side burner valve (CC). Feed the side burner valve (CC) through the bottom of the left side burner side shelf (DA), and re-attach the hardware, as shown.

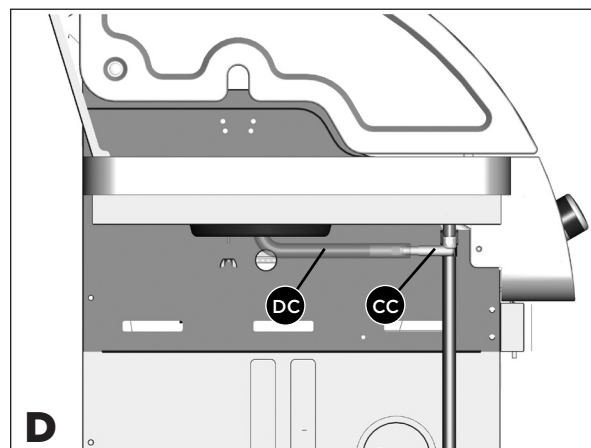


- b. Assemble the side burner control knob (#13) to the side burner valve (CC).

YOU WILL NEED:



- c. Position the side burner (DC) through the opening in the side burner drip pan (DB).

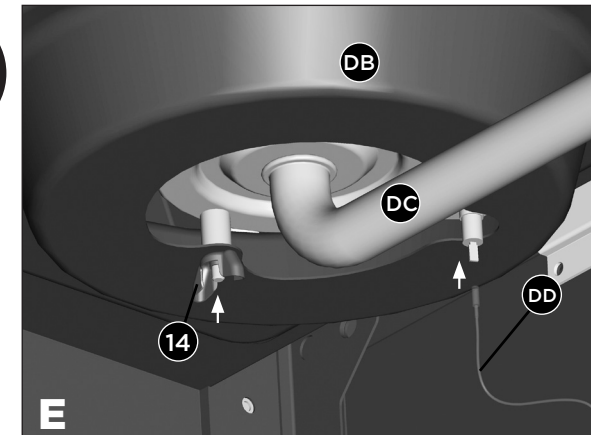


Left side view

- d. Make sure that the side burner (DC) engages the side burner valve (CC), as shown in figure D.

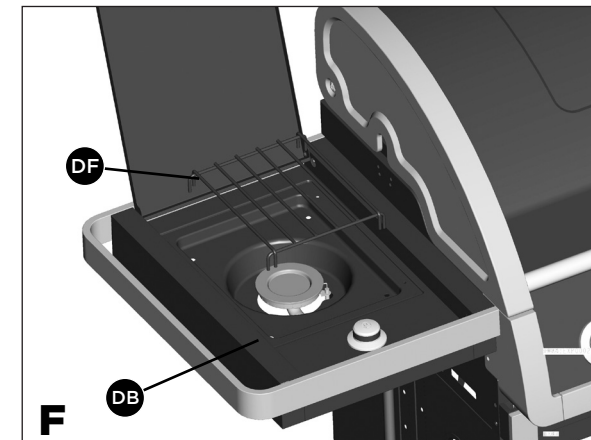
ASSEMBLY INSTRUCTIONS

10



- e. Using the wing nut (#14), assemble the side burner (DC) to the side burner drip pan (DB), as shown.

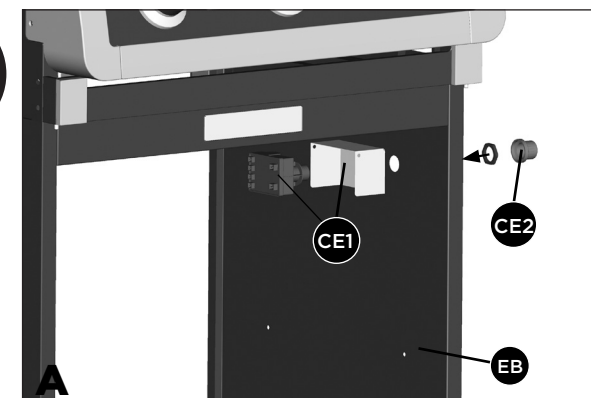
YOU WILL NEED:



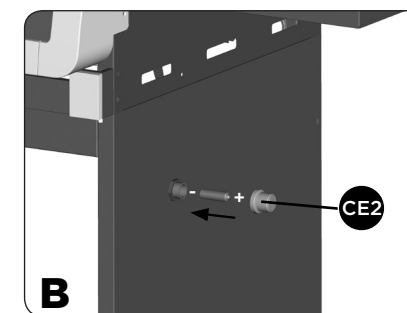
- f. Locate the side burner electrode wire (DD) and insert into the base of the side burner electrode (DC), as shown in figure E.

- g. Position the side burner cooking grate (DF) onto the side burner drip pan (DB).

11



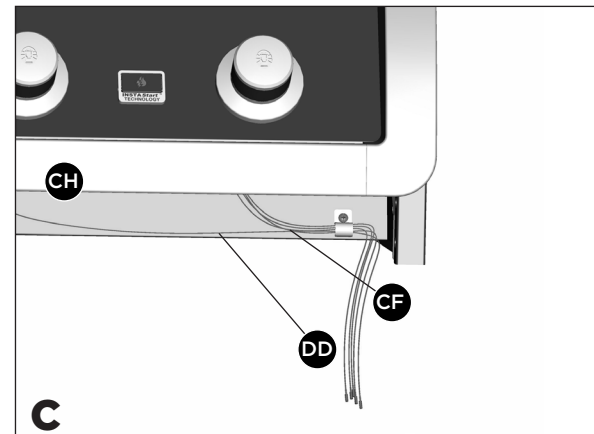
- a. Remove the ignition battery cover (CE2) and the plastic nut from the electronic ignition box (CE1)
- b. Position the electronic ignition box (CE1) into the heat shield (CE1) and feed the assembly through the opening in the right side panel (EB) and secure using the nut.



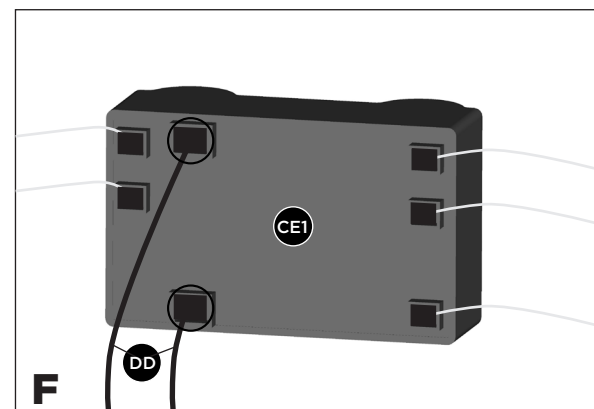
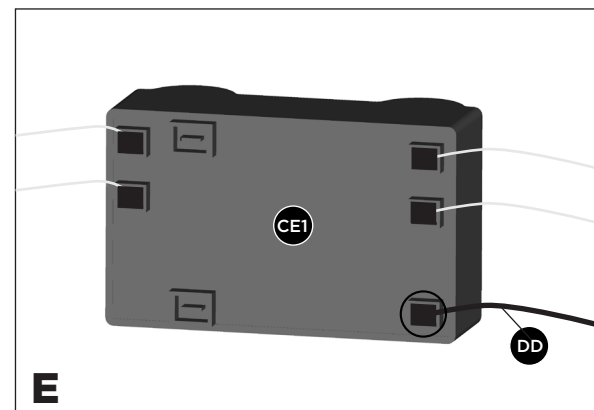
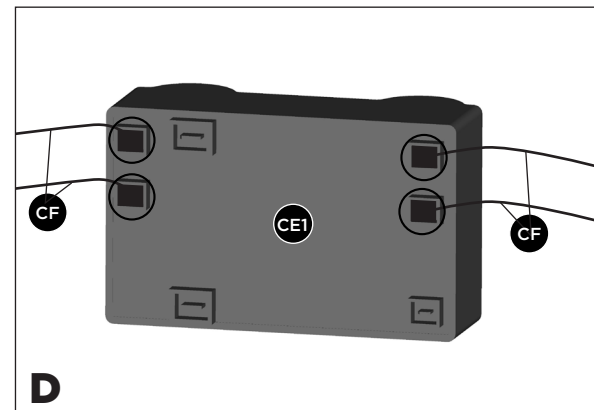
- c. Insert one "AA" battery into the battery compartment with the positive end facing outward, as shown. Secure using the ignition button cover (CE2).

11

ELECTRONIC IGNITION: ELECTRODE ASSEMBLY



Control panel, right side



TIP: The Electrode Set, main burner (CF) and the Electrode wire, side burner (DD), can be found attached to the control panel (CH) heat shield, as shown in figure C.

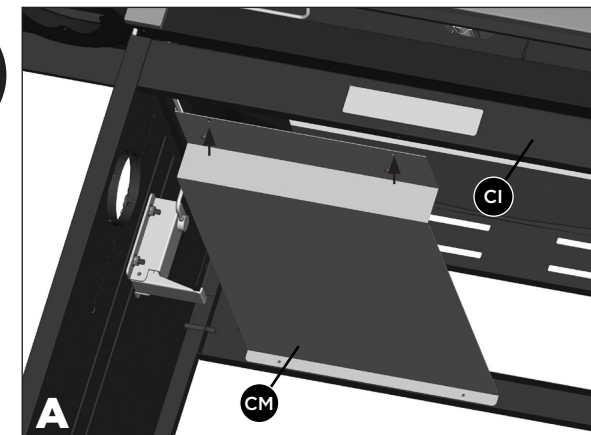
d. Insert the four Electrode set, main burner (CF) wires into the Electronic ignition assembly (CE1) as shown in figure D.

NOTE: All main burner and side burner electrode wire connection points are the same size.

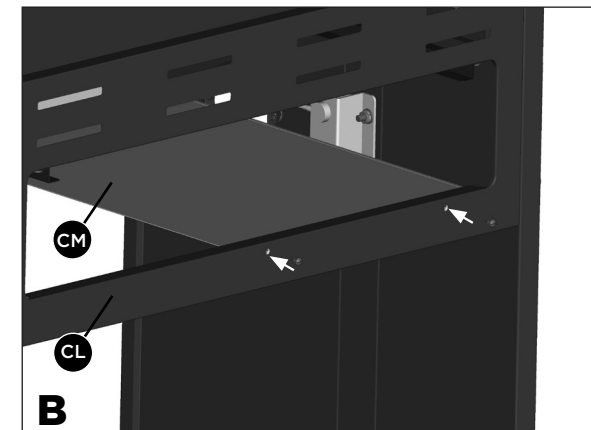
e. Insert the Electrode wire, side burner (DD) into the Electronic ignition assembly (CE1), as shown in figure E.

f. Insert the two Instartart™ ignition button (CE3) wires into the Electronic ignition assembly (CE1), as shown in figure F.

12



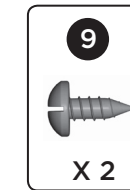
Front view



Back view

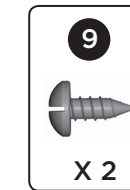
a. Assemble the heat shield (CM) to the bottom of the front brace (CI) as shown in figure A.

YOU WILL NEED:

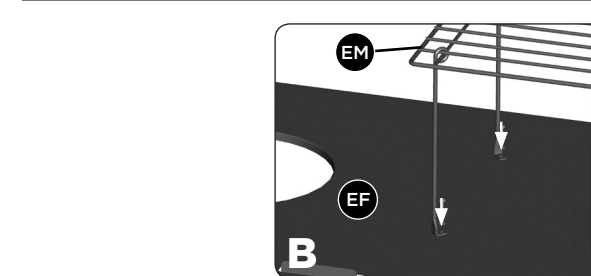
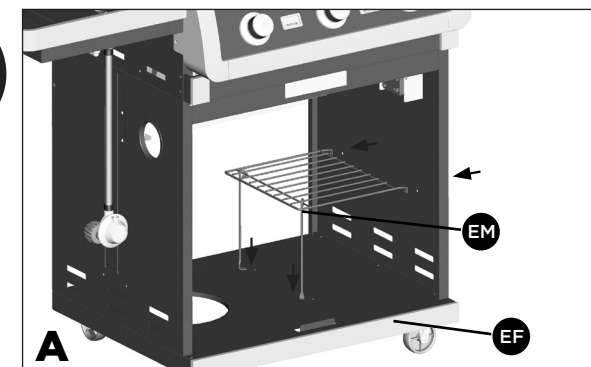


b. Assemble the back of the heatshield (CM) to the upper back panel (CL), as shown in figure B.

YOU WILL NEED:



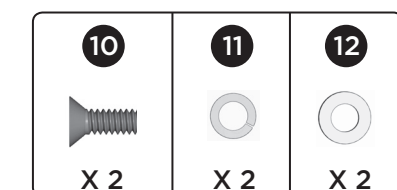
13



PROPANE MODEL ONLY

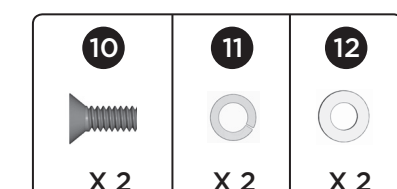
a. Assemble the wire shelf (EM) to the bottom shelf (EF), as shown in figure A.

YOU WILL NEED:



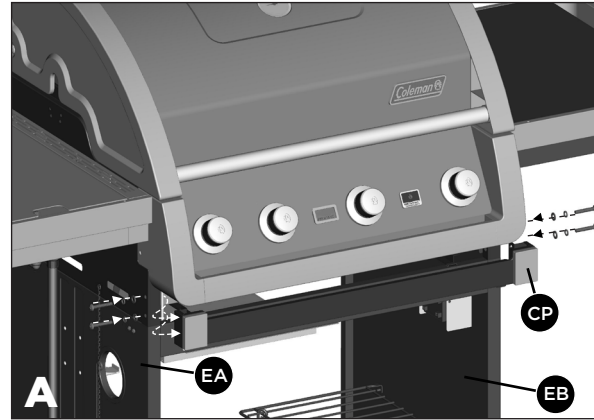
b. Assemble the wire shelf (EM) to the right cart side panel (EB), as shown in figure C.

YOU WILL NEED:

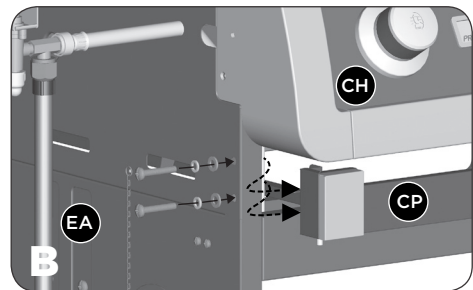


ASSEMBLY INSTRUCTIONS

14



Front, left side view






Close up, front view

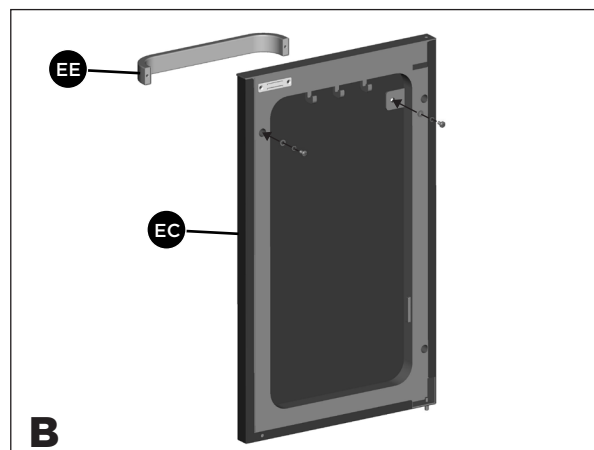
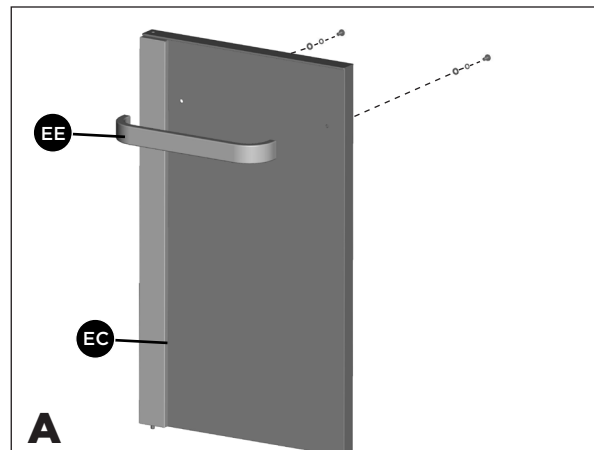
Assemble the door support rail (CP) to the left and right upper side panels (EA and EB), as shown.

WARNING: This part may have sharp edges. Wear protective gloves when assembling.

YOU WILL NEED:




1  X 4	3  X 4	4  X 4
--	---	--

15



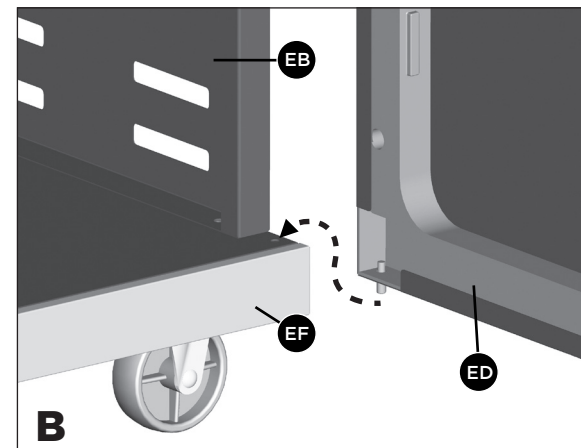
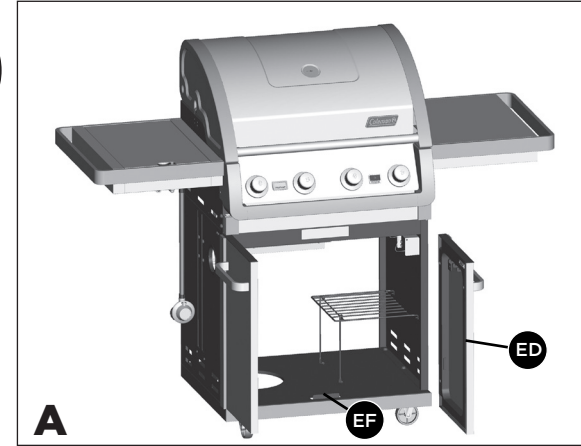
Assemble the door handle (EE) to the left and right door assembly (EC and ED) as shown in figure A and B.

YOU WILL NEED:

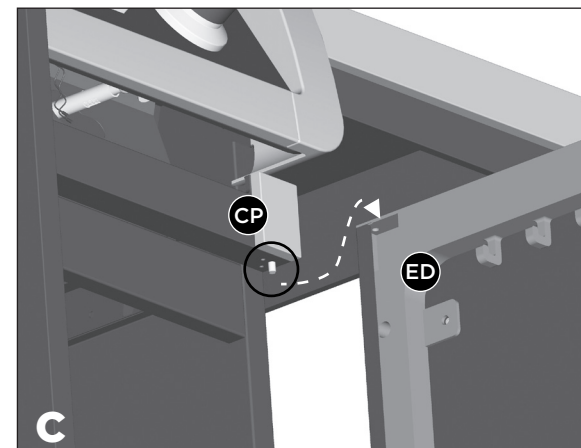
6  X 4	7  X 4	8  X 4
--	---	--

ASSEMBLY INSTRUCTIONS

16



Bottom of door



Top of door

PROPANE MODEL SHOWN

a. Assemble the right door assembly (ED), to the bottom shelf (EF) by inserting the fixed pin (bottom of door) into the hole provided (figure B).

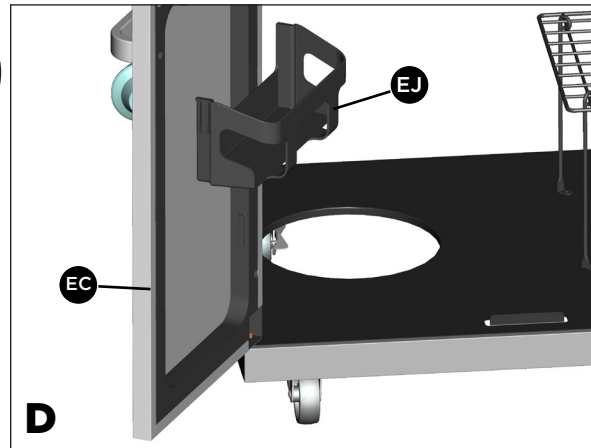
b. Assemble the top of the door assembly (ED) to the door support rail (CP), by pressing in the door support pin and aligning with the hole located on the top right corner of the door.

TIP: Use a paint scraper to press-in the support pin, while the second person aligns the door. The support pin will lock into position when the door is assembled correctly.

c. Repeat steps a, and b for the left door assembly (EC).

ASSEMBLY INSTRUCTIONS

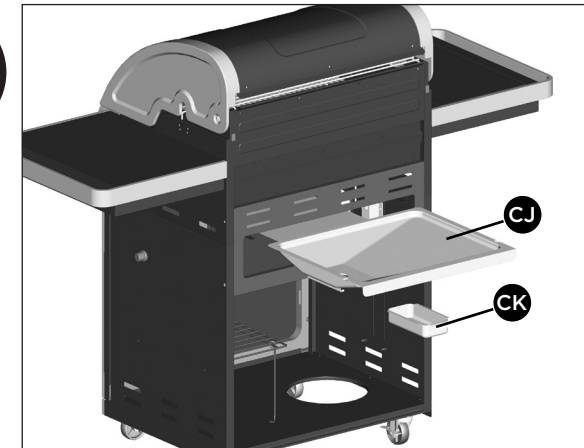
16



d. Slide the condiment baskets (EJ) into the left and right door assembly (EC and ED), as shown.

ASSEMBLY INSTRUCTIONS

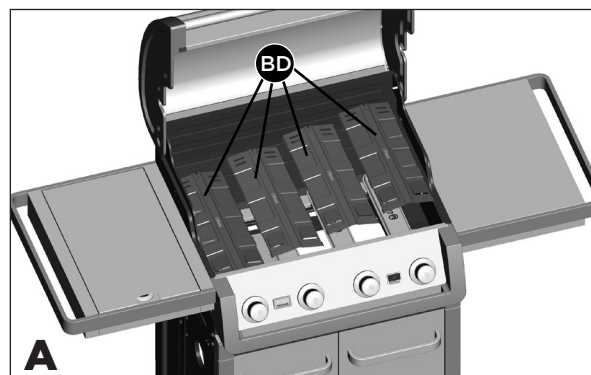
18



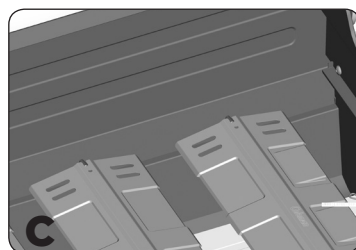
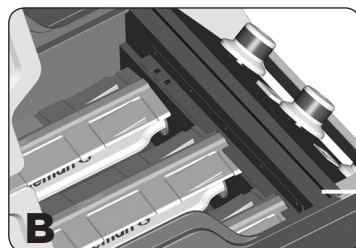
Back view

- Position the QUICK CLEAN™ grease tray (CJ) onto the right and left tracks (CN and CO), as shown.
- Position the QUICK CLEAN™ grease cup (CK) in position under the under the QUICK CLEAN™ grease tray (CJ).

17



Position the Even Heat™ heat distribution plates (BD) into the burner box (BA) as shown.



19



- Assemble the warming rack (BF) by inserting the three fixed pins into the three holes provided on the burner box back panel (BA), as shown in Figure A.

- Place the cooking grates (BE) into the burner box (BA), as shown in figure A.

ASSEMBLY INSTRUCTIONS

20

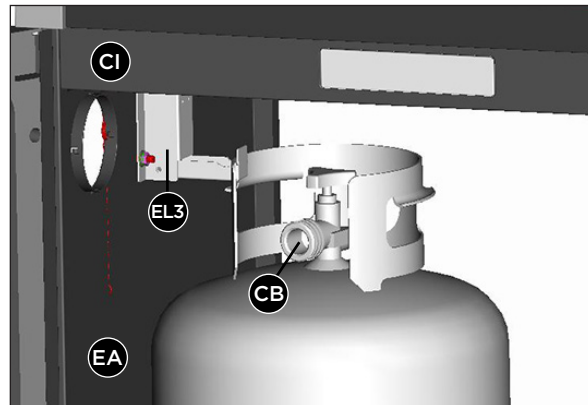


FOR PROPANE MODEL ONLY.

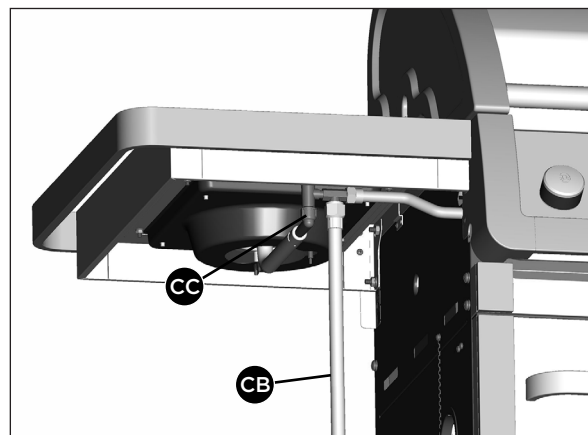
For natural gas model, follow step 21.

- Feed the regulator (CB) through the opening on the left side panel (EA).
- Mount the 20lb propane cylinder onto the Quick Check™ tank support bracket (EL3), located on the inside of the left side panel (EA).
- Attach the regulator (CB) coupling nut to the propane cylinder valve.

⚠ ATTENTION:
DO NOT STORE EXTRA PROPANE TANKS WITHIN BBQ CART.



21



FOR NATURAL GAS MODEL ONLY.

Attach the natural gas hose (CB) to the side burner valve (CC), as shown.

⚠ ATTENTION: In order to complete installation of your Natural Gas BBQ a 1/2" or 3/8" adapter may be required to connect your BBQ's Natural gas hose to your home gas supply. Contact your natural gas supplier to purchase the necessary part.

NOTE: EXTRA HARDWARE WILL BE LEFT OVER FOR NATURAL GAS MODEL.

ADDITIONAL WARNINGS

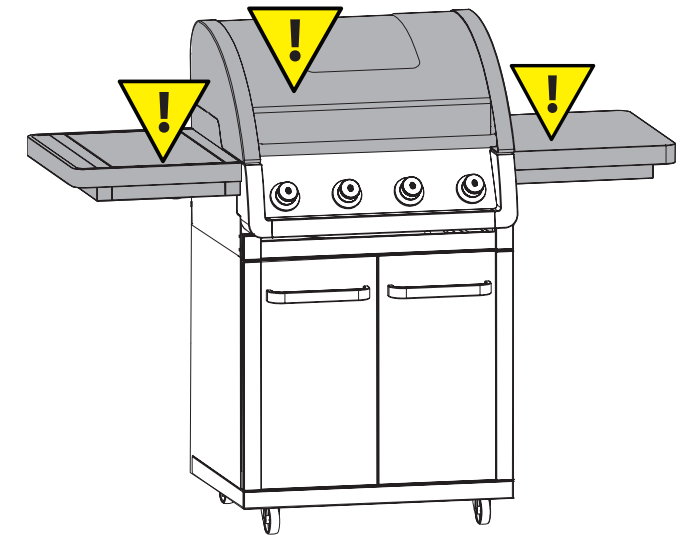
You have now completed the Assembly of your COLEMAN® EVEN HEAT™ BARBECUE.

NEXT STEPS:

- Position your BARBECUE
- Read SAFE USE & CARE MANUAL
- Perform Grill Safety Check-list

⚠ WARNING:
FOR YOUR FAMILIES SAFETY, DO NOT ATTEMPT TO LIGHT THIS BBQ UNTIL YOU HAVE REVIEWED PAGES 4-7 OF THE COLEMAN SAFE USE & CARE MANUAL. ALL SAFETY AND LEAK TESTS MUST BE PERFORMED BY THE END USER, PRIOR TO LIGHTING THIS BBQ.

⚠ WARNING HOT SURFACES:



POSITION YOUR BARBECUE

Always confirm that this Barbecue is not positioned under a combustible object (e.g., an awning or umbrella) or in a covered area (e.g., porch or gazebo) before lighting it, to prevent a possible fire.

Always confirm that this Barbecue is not positioned under the overhang of a house, a garage or other structure before lighting it. An overhang will serve to deflect flare-ups and radiate heat into the structure itself, which could result in a fire.

Always confirm that this Barbecue is positioned more than 36" (91.4cm) away from any combustible materials or surfaces before lighting it, and that no gasoline or other volatile substances are stored in the vicinity of this Barbecue. The temperature of a grease fire or of the radiated heat might otherwise be sufficient to ignite nearby combustibles or volatile substances. Do not position near windows, siding, or fencing.

Always locate the Barbecue where there will be ample combustion and ventilation air, but never position it in the direct path of a strong wind.



WWW.COLEMANBBQS.COM

Manufactured by Winners Products Engineering Ltd.

Coleman®,  and  are registered trademarks of The Coleman Company, Inc. used under license. ©2010 The Coleman Company, Inc.